

## EXPLODED VIEW & PARTS LIST



Outdoor unit

SAP09HP230V1R32AO

SAP12HP230V1R32AO

SAP18HP230V1R32AO

SAP24HP230V1R32AO



Indoor unit

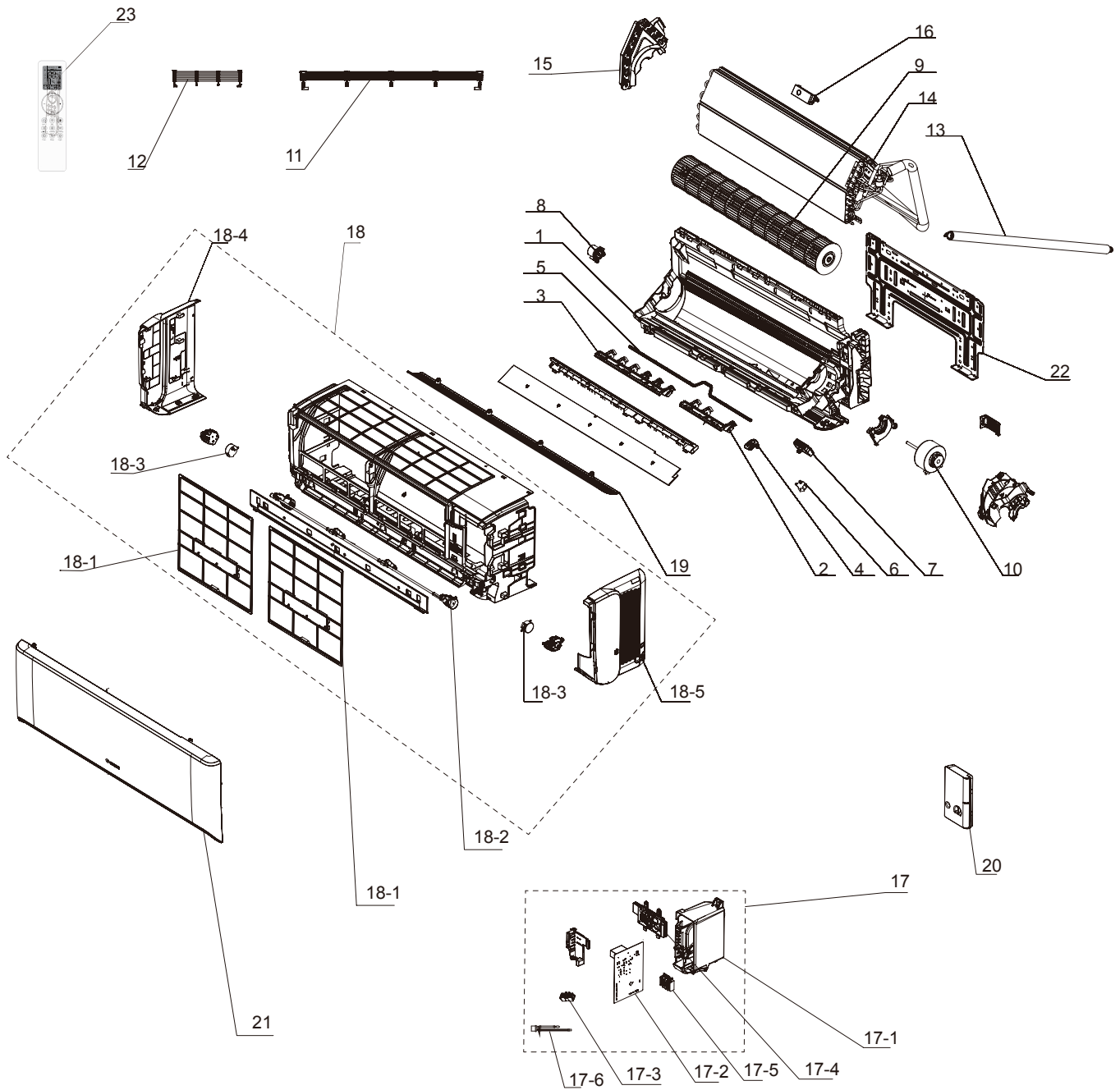
SAP09HP230V1R32AH

SAP12HP230V1R32AH

SAP18HP230V1R32AH

SAP24HP230V1R32AH

# SAP09HP230V1R32AH



The component picture is only for reference; please refer to the actual product.

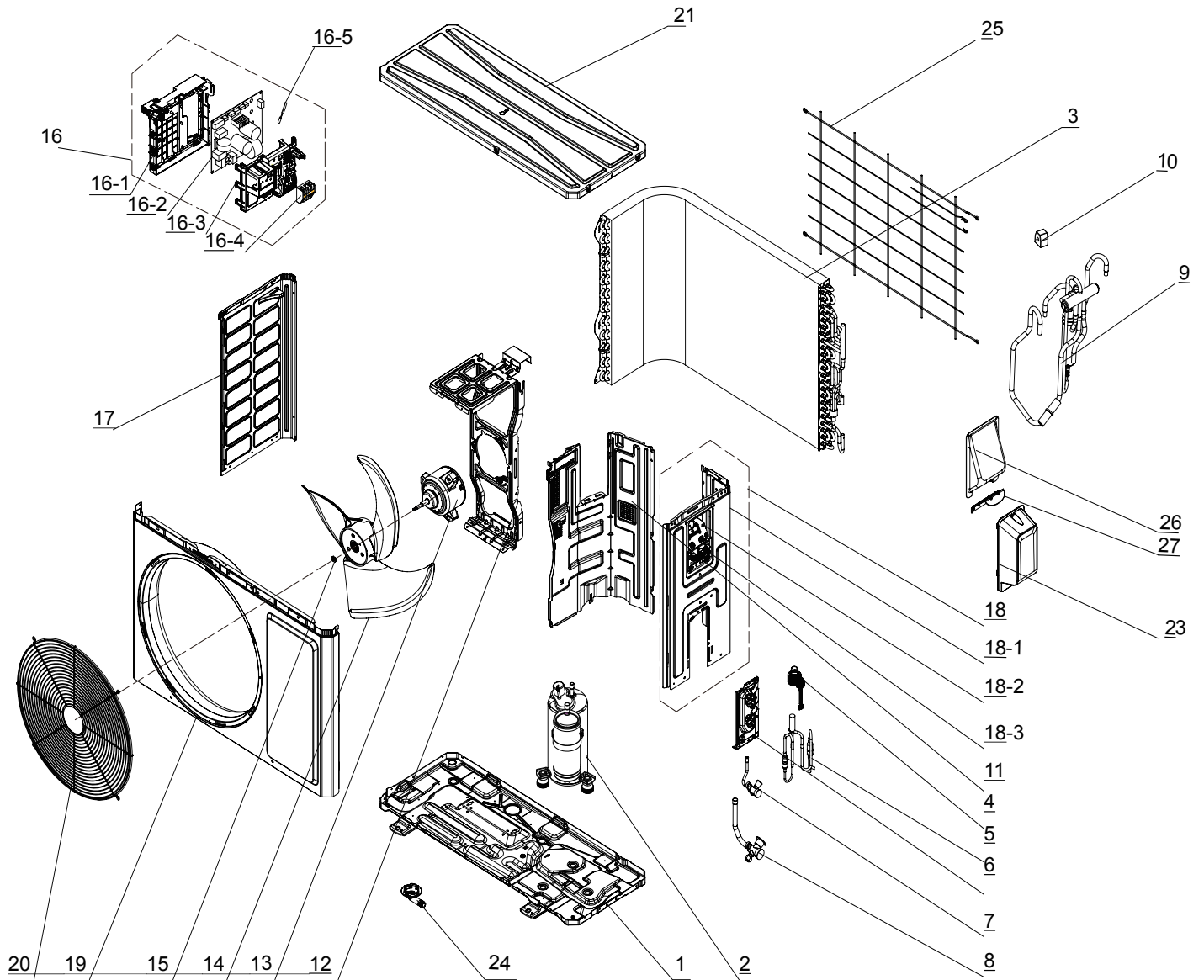


## SAP09HP230V1R32AH

No.	Part Description	Qty	Part No.
1	Rear Case Sub-Assy	1	00037706010701
2	Air Louver (Auto)	1	200007060115
3	Air Louver (Auto)	1	200007060114
4	Air Louver (Auto)	1	200007060116
5	Swing Lever	1	200035060043
6	Stepping Motor	1	1521210704
8	Axile Bush Sub-assy	1	1054204701
9	Cross Flow Fan	1	103001060034
10	Brushless DC Motor	1	15010406008802
11	Rear Grill Sub-assy 1	1	209168000010
12	Rear Grill Sub-assy 2	1	209168000011
13	Drainage Hose	1	05230014
14	Evaporator Assy	1	011001062414
15	Evaporator supporter	1	200025060024
17	Electric Box Assy	1	100002082681
17-1	Electric Box	1	200013060122
17-2	Main Board	1	300002064120
17-3	Jumper	1	4202021903
17-4	Display Board	1	300001061425
17-5	Terminal Board	1	422000000022
17-6	Temperature Sensor	1	3900031302
18	Front Case Assy	1	000002060360
18-1	Filter Sub-Assy	2	111001060404
18-2	Connecting Rod Sub-assy	1	000110060021
18-3	Stepping Motor	2	1501213905
18-4	Left Side Plate Sub-Assy	1	017037060360
18-5	Right Side Plate Sub-Assy	1	209043060010
19	Guide Louver	1	200004060230
20	Electric Box Cover	1	200082060089
21	Front Panel Assy	1	000003060822
22	Wall Mounting Frame	1	012043060024
23	Remote Controller	1	305001060233
NS	R32 Refrigerant Sensor	1	34002406001601



# SAP09HP230V1R32AO



The component picture is only for reference; please refer to the actual product.

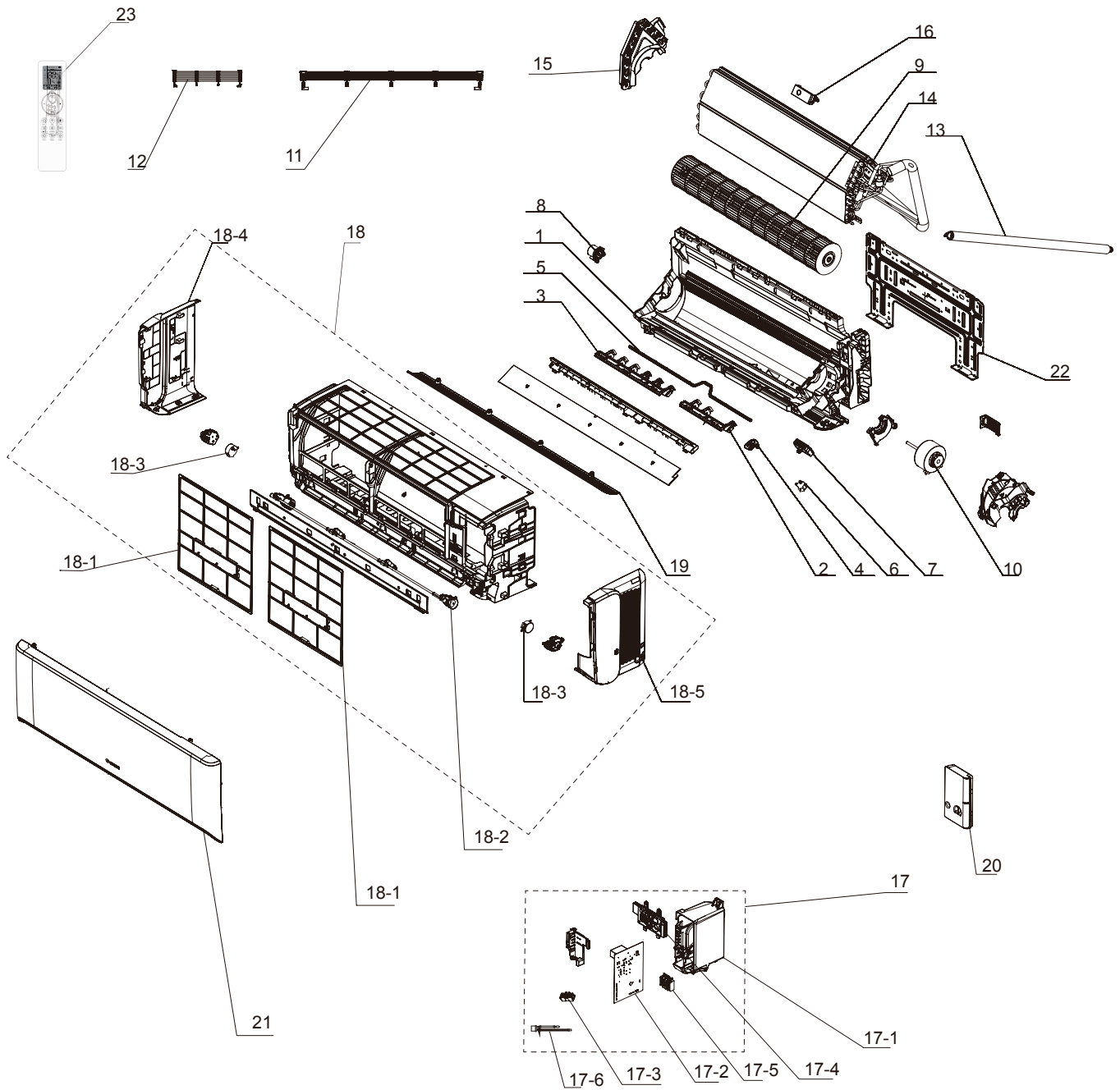


## SAP09HP230V1R32AO

No.	Part Description	Qty	Part No.
1	Chassis Sub-assy	1	017000060861P
2	Compressor and Fittings	1	009001061153
3	Condenser Assy	1	01100206218002
NS	Expansion Valve Fitting	1	07200206002301
4	Expansion Valve Sub-Assy	1	030026061659
6	Valve Support	1	012044060022P
8	Cut-off valve 1/2(N)	1	070001060024
7	Cut-off valve 1/4(N)	1	070001060022
9	4-Way Valve Assy	1	030152061623
NS	4 Way Valve Coil	1	07201006002409
11	Clapboard	1	012051061217
NS	Clapboard Assy	1	000075060125
12	Motor Support	1	012048060148
13	Brushless DC Motor	1	15010406010206
14	Axial Flow Fan	1	10333014
NS	Block gasket	1	70413008
16	Electric Box Assy	1	100002082692
16-1	Electric Box	1	20006506002401
16-2	Main Board	1	300027063964
16-3	Controller Cover	1	20006606003101
16-4	Terminal Board	1	42200006007501
16-5	Temperature Sensor	1	39000106006901
17	Left Side Plate	1	012055060392P
NS	Right Side Plate Assy	1	00008106043401
14	Right Side Plate	1	01205606036804P
NS	Earthing Plate Assy	1	017246000007
NS	Wire Clamp	1	200015060023
NS	Cabinet	1	01202206001101P
2	Front Grill	1	016004060012
26	Top Cover Assy	1	000097060315
19	Valve Cover	1	20008706000503
7	Drainage Joint	1	26113009
NS	Rear Grill	1	016001060086
NS	Cable Cross Plate	1	01220906002802P
NS	Cable Cross Plate	1	012209060027P



# SAP12HP230V1R32AH



The component picture is only for reference; please refer to the actual product.

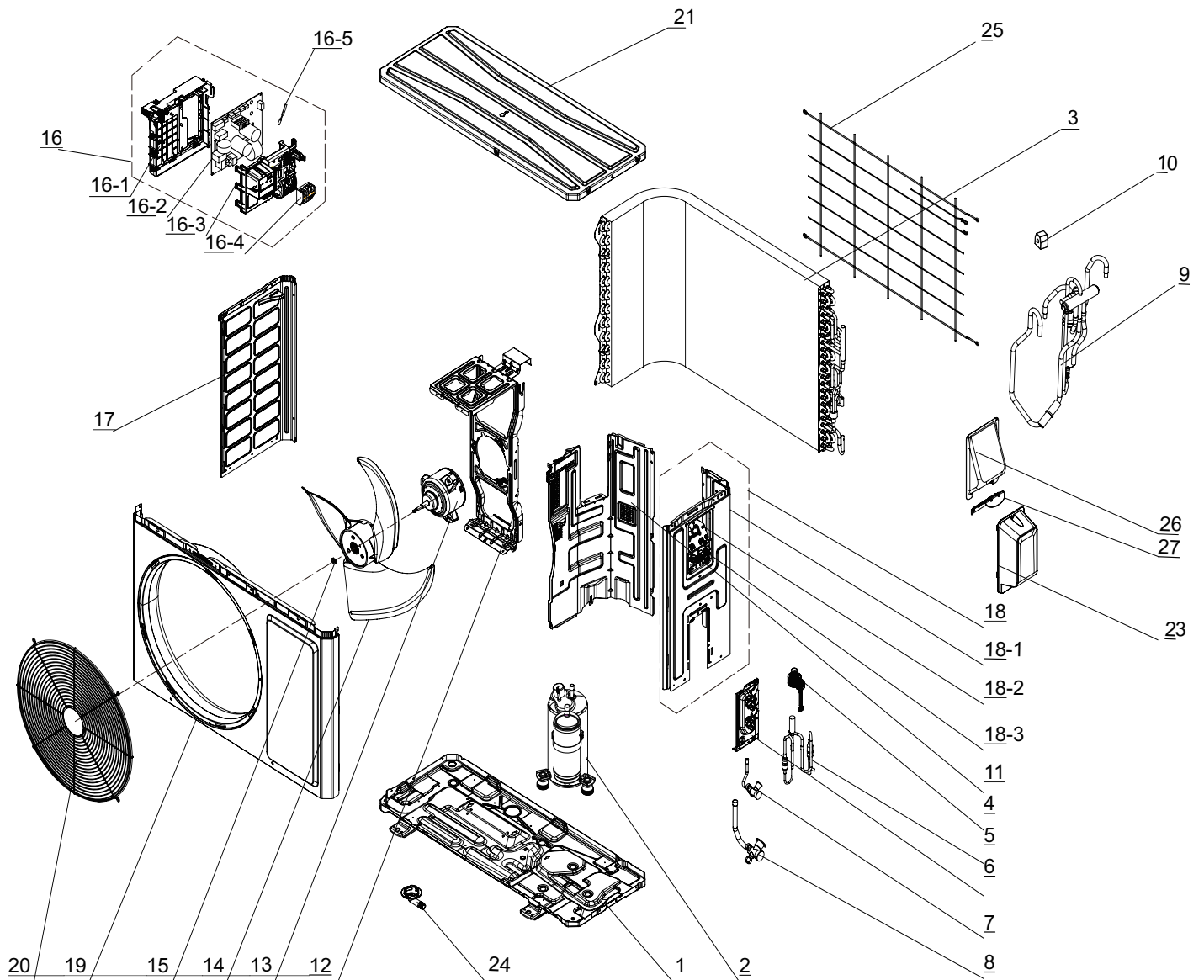


## SAP12HP230V1R32AH

No.	Part Description	Qty	Part No.
1	Rear Case Sub-Assy	1	00037706010701
2	Air Louver (Auto)	1	200007060115
3	Air Louver (Auto)	1	200007060114
4	Air Louver (Auto)	1	200007060116
5	Swing Lever	1	200035060043
6	Stepping Motor	1	1521210704
8	Axile Bush Sub-assy	1	1054204701
9	Cross Flow Fan	1	103001060034
10	Brushless DC Motor	1	15010406008802
NS	Cable Cross Plate	1	02122023P
12	Rear Grill Sub-assy 2	1	209168000011
13	Drainage Hose	1	05230014
14	Evaporator Assy	1	011001062414
15	Evaporator Support	1	200025060024
NS	Gas Sensor	1	34002406001601
17	Electric Box Assy	1	100002082665
17-1	Electric Box	1	200013060122
17-2	Main Board	1	300002064120
17-3	Jumper	1	4202021916
17-4	Display Board	1	300001061425
17-5	Terminal Board	1	422000000022
17-6	Temperature Sensor	1	3900031302
18	Front Case Assy	1	000002060360
18-1	Filter Sub-Assy	2	111001060404
18-2	Connecting Rod Sub-Assy	1	000110060021
18-3	Stepping Motor	2	1501213905
18-4	Left Side Plate Assy	1	017037060360
18-5	Right Side Plate Assy	1	209043060010
19	Guide Louver	1	200004060230
20	Electric Box Cover	1	200082060089
21	Front Panel Assy	1	000003060822
22	Wall Mounting Frame	1	012043060024
23	Remote Controller	1	305001060233



# SAP12HP230V1R32AO



The component picture is only for reference; please refer to the actual product.

GREE ELECTRIC APPLIANCES INC. OF ZHUHAI  
GREECOMFORT.COM



[Back to main page](#)

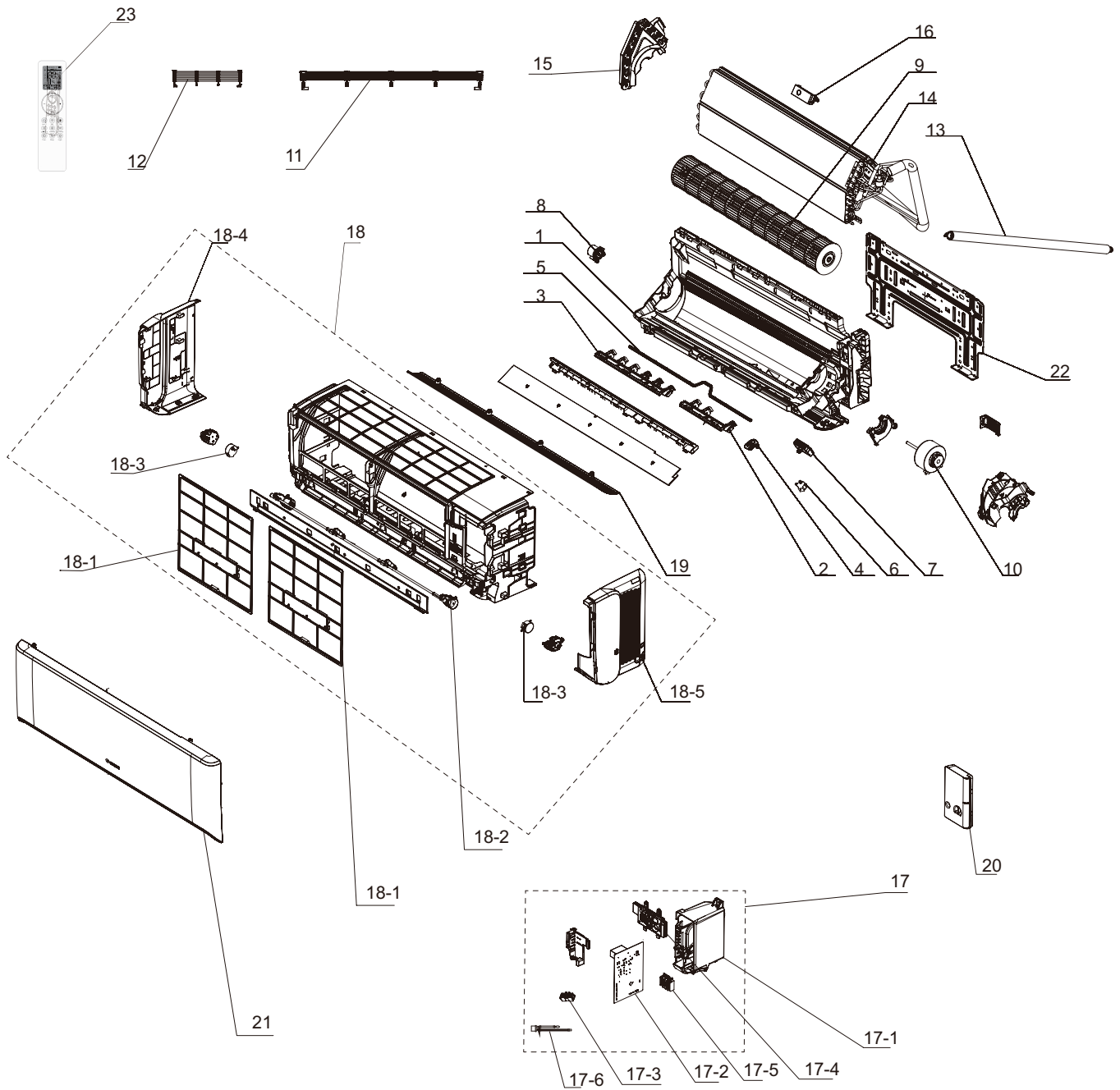


## SAP12HP230V1R32AO

No.	Part Description	Qty	Part No.
1	Chassis Sub-assy	1	017000060861P
NS	Chassis	1	7651000423
8	Compressor and Fittings	1	009001061153
9	Compressor Gasket	3	009012060053
23	Condenser Assy	1	01100206218002
11	4-Way Valve Assy	1	030152061623
NS	Silencer	1	07245013
18	Valve Support	1	012044060022P
16	Cut-off valve 1/2(N)	1	070001060024
17	Cut-off valve 1/4(N)	1	070001060022
NS	Valve Sub-Assy	1	030026061659
NS	Strainer A	1	0721002201
20	Electric Expansion Valve Fitting	1	07200206002301
24	Clapboard Assy	1	000075060125
25	Motor Support	1	012048060148
4	Axial Flow Fan	1	10333014
NS	Block gasket	1	70413008
32	Electric Box Assy	1	100002082666
28	Terminal Board	1	42200006007501
30	Main Board	1	300027063958
NS	Magnet Coil	1	4300040072
NS	Temperature Sensor	1	39000106006901
27	Left Side Plate	1	012055060392P
14	Right Side Plate Assy	1	8106043401
NS	Right Side Plate	1	01205606036804P
NS	Earthing Plate Assy	1	017246000007
NS	Wire Clamp	1	200015060023
1	Front Panel Assy	1	000003060804
2	Front Grill	1	016004060012
3	Cabinet	1	01202206001101P
26	Top Cover Assy	1	000097060315
NS	Rear Grill	1	016001060086
NS	Cable Cross Plate	1	01220906002802P
NS	Cable Cross Plate	1	012209060027P
19	Valve Cover	1	20008706000503
5	Drainage hole Cap	2	76711012
7	Drainage Joint	1	26113009



# SAP18HP230V1R32AH



The component picture is only for reference; please refer to the actual product.

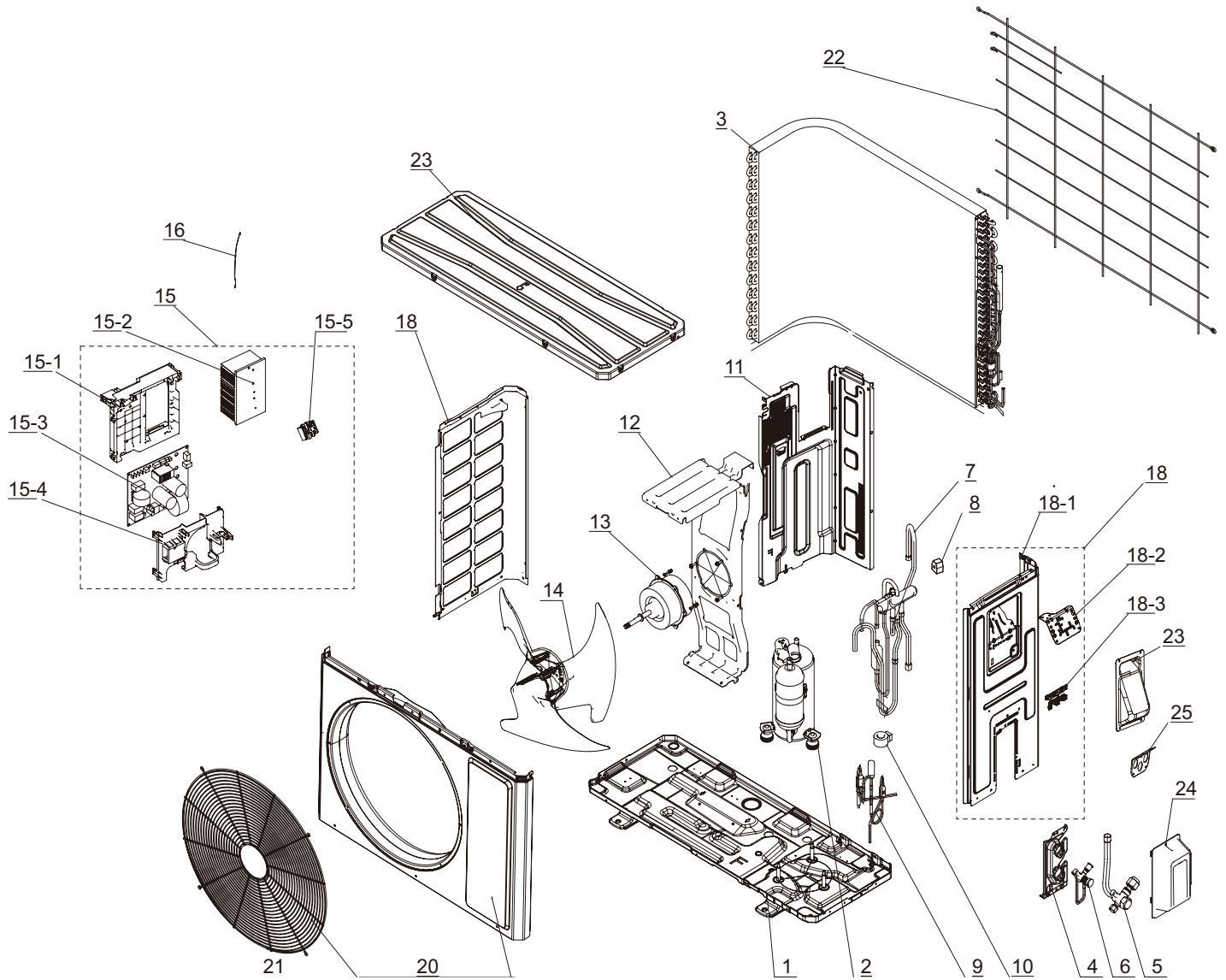


## SAP18HP230V1R32AH

No.	Part Description	Qty	Part No.
1	Rear Case Sub-Assy	1	00037706010601
2	Axile Bush Sub-assy	1	1054204701
3	Air Louver 1	2	200007060101
4	Air Louver 1	1	200007060104
5	Air Louver	1	200007060103
6	Swing Lever	1	200035060042
7	Stepping Motor	1	1521210704
9	Brushless DC Motor	1	15010406011601
10	Cross Flow Fan	1	103001060035
NS	Cable Cross Plate	1	02122023P
NS	Rear Grill Sub-assy	3	209168000018
11	Drainage Hose	1	0523001405
12	Evaporator Assy	1	01100106241101
13	Evaporator Support(D7)	1	200025060025
15	Electric Box Assy	1	100002082801
15-1	Jumper	1	4202021929
15-2	Display Board	1	300001061425
15-3	Electric Box	1	200013060122
15-4	Main Board	1	300002064120
15-5	Terminal Board	1	422000000022
15-6	Temperature Sensor	1	3900031302
16-1	Front Case Sub-assy	1	209007060122
16-2	Filter Sub-Assy	2	1101200703
16-3	Connecting Rod Sub-Assy	1	000110060023
16-6	Stepping Motor	2	1501213905
16-7	Top Cover	1	200050060043
16-8	Left Side Plate Sub-Assy	1	017037060360
16-9	Right Side Plate Sub-Assy	1	209043060010
17	Bottom Cover Plate	1	180385000004
18	Guide Louver	1	200004060228
19	Electric Box Cover	1	200082060089
21	Wall mounting Frame	1	012043060024
22	Remote Controller	1	305001060233
NS	Gas Sensor	1	34002406001601



# SAP18HP230V1R32AO



The component picture is only for reference; please refer to the actual product.

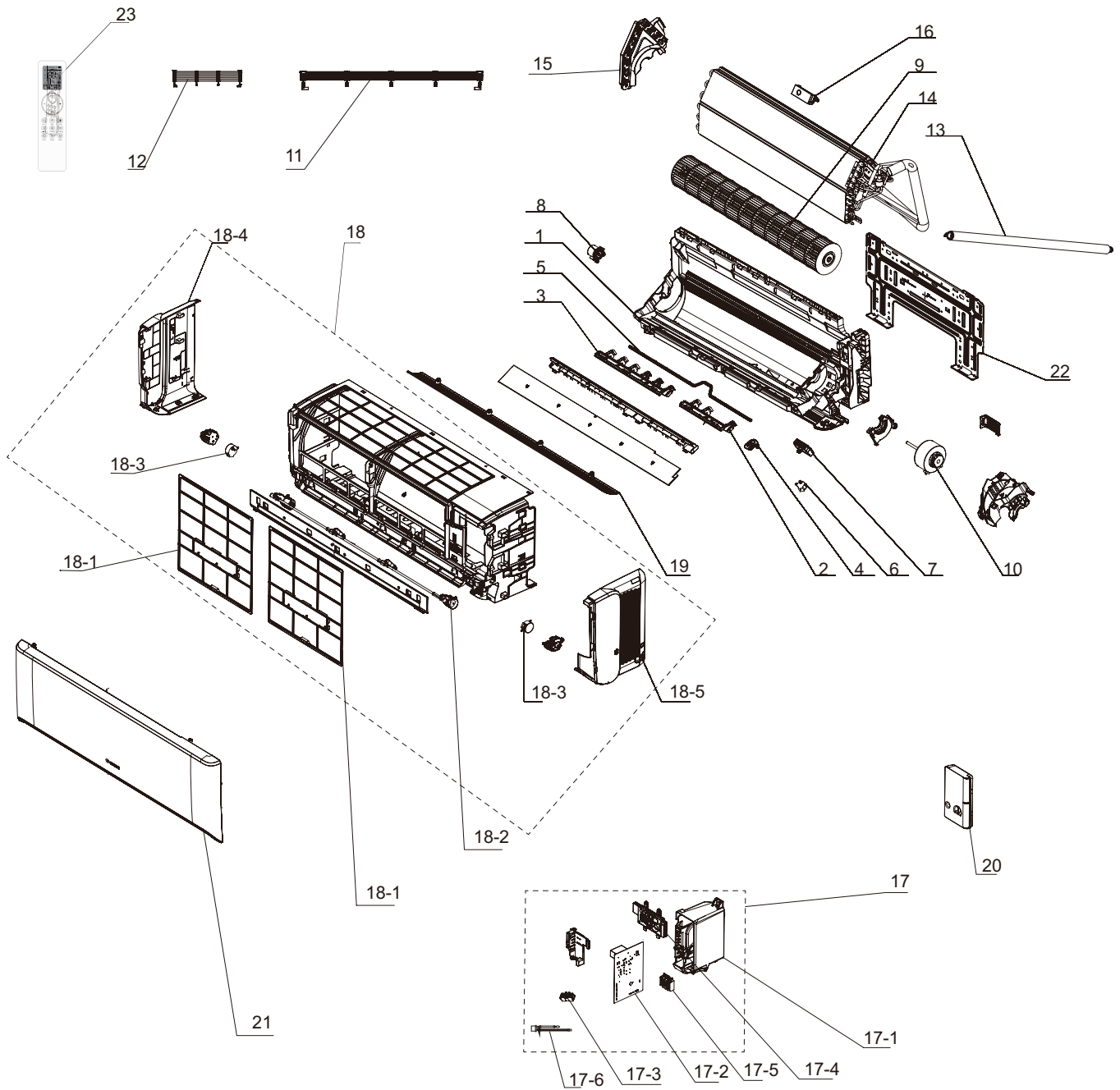
GREE ELECTRIC APPLIANCES INC. OF ZHUHAI  
GREECOMFORT.COM

## SAP18HP230V1R32AO

No.	Part Description	Qty	Part No.
1	Chassis Sub-assy	1	01700006076102P
NS	Electrical Heater	1	765100049
2	Compressor and Fittings	1	009001061004
NS	Compressor Gasket	3	009033060003
NS	Strainer	1	0721304401
4	Valve Support	1	012044060032P
5	Cut off Valve 5/8(N)	1	070001060034
6	Cut-off valve 1/4(N)	1	070001060022
7	4-Way Valve Assy	1	030152061430
NS	Silencer	1	07243027
3	Condenser Assy	1	01100206175501
10	Electric Expansion Valve Fitting	1	07200206002309
8	4 Way Valve Coil	1	43000400128
11	Clapboard Assy	1	000075060128
12	Motor Support	1	012048060145
14	Axial Flow Fan	1	10335262
17	Left Side Plate	1	012055060393P
15	Electric Box Assy	1	100002082796
15-1	Electric Box	1	20001306008501
15-3	Main Board	1	300027064009
15-4	Electric Box Cover	1	20008206006801
15-5	Terminal Board	1	42200006007501
16	Temperature Sensor	1	39000106006901
18	Right Side Plate Assy	1	00008106038902
18-1	Right Side Plate	1	01205606037704p
18-2	Earthing Plate Sub-Assy	1	01724600000204
18-3	Wire Clamp	1	200015060021
NS	Front Panel Assy	1	00000306054301
19	Front Panel	1	01207306161101
21	Rear Grill	1	016001060088
22	Top Cover Assy	1	000097060333
25	Cable Cross Plate	1	01220906004101P
24	Valve Cover	1	20008706000503
NS	Drainage Joint	1	26113009



# SAP24HP230V1R32AH



The component picture is only for reference; please refer to the actual product.

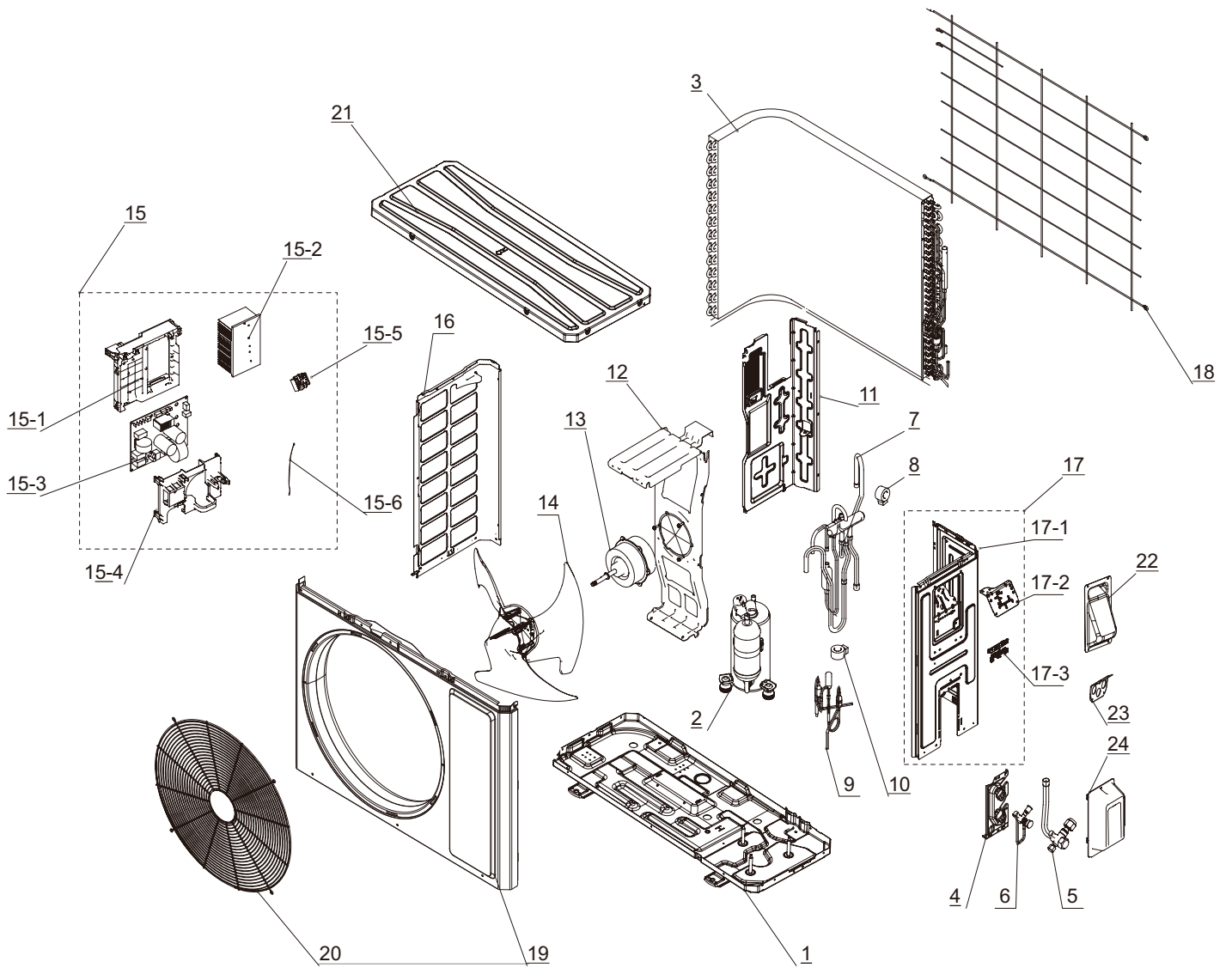


## SAP24HP230V1R32AH

No.	Part Description	Qty	Part No.
1	Rear Case Sub-Assy	1	00037706010601
8	Axile Bush Sub-assy	1	1054204701
2	Air Louver 1	2	200007060101
3	Air Louver 1	1	200007060104
4	Air Louver	1	200007060103
5	Swing Lever	1	200035060042
6	Stepping Motor	1	1521210704
10	Brushless DC Motor	1	15010406011601
9	Cross Flow Fan	1	103001060035
NS	Cable Cross Plate	1	02122023P
NS	Rear Grill Sub-assy	3	209168000018
13	Drainage Hose	1	0523001405
14	Evaporator Assy	1	1100106241103
15	Evaporator Support(D7)	1	200025060025
17	Electric Box Assy	1	100002082549
17-3	Jumper	1	4202021928
17-4	Display Board	1	300001061425
17-1	Electric Box	1	200013060122
17-2	Main Board	1	300002064120
17-5	Terminal Board	1	422000000022
17-6	Temperature Sensor	1	3900031302
NS	Front Case Sub-assy	1	209007060122
18-1	Filter Sub-Assy	2	1101200703
18-2	Connecting Rod Sub-Assy	1	000110060023
18-3	Stepping Motor	2	1501213905
NS	Top Cover	1	200050060043
18-4	Left Side Plate Sub-Assy	1	017037060360
18-5	Right Side Plate Sub-Assy	1	209043060010
NS	Bottom Cover Plate	1	180385000004
19	Guide Louver	1	200004060228
20	Electric Box Cover	1	200082060089
21	Wall Mounting FrameFrame	1	012043060024
23	Remote Controller	1	305001060233
NS	Gas Sensor	1	34002406001601



# SAP24HP230V1R32AO



The component picture is only for reference; please refer to the actual product.

GREE ELECTRIC APPLIANCES INC. OF ZHUHAI  
GREECOMFORT.COM



[Back to main page](#)



## SAP24HP230V1R32AO

No.	Part Description	Qty	Part No.
1	Chassis Sub-assy	1	01700006071117P
NS	Electrical Heater	1	765100049
2	Compressor and Fittings	1	009001060966
NS	Compressor Gasket	3	76713066
3	Condenser Assy	1	0110020619502
11	Clapboard Assy	1	000075060173
6	Cut-off valve 1/4(N)	1	070001060027
4	Valve Support	1	012044060031P
5	Cut-off valve 5/8(N)	1	070001060032
7	4-Way Valve Assy	1	030152061618
NS	Silencer 1	1	07243050
NS	Strainer	1	0721304401
9	Expansion Valve	1	072009060006
10	Expansion Valve Fitting	1	07200206002301
14	Axial Flow Fan	1	103002060027
8	4 Way Valve Coil	1	43000400128
15	Electric Box Assy	1	100002082552
15-1	Electric Box	1	20001306010201
15-2	Radiator	1	430034060150
15-3	Main Board	1	300027063995
15-4	Electric Box Cover	1	20008206007701
15-5	Terminal Board	1	42200006007501
16	Left Side Plate	1	012055060389P
17	Right Side Plate Assy	1	000081060373
17-3	Wire Clamp	1	200015060021
17-1	Right Side Plate	1	01205606073801
NS	Front Panel Assy	1	00000306073801
20.0	Front Grill	1	016004060018
19.0	Cabinet	1	01202206001901P02
21	Top Cover Sub-Assy	1	000051060149
24	Valve Cover	1	20008706000804
18	Rear Grill	1	016001060087
7	Drainage Joint	1	26113009

