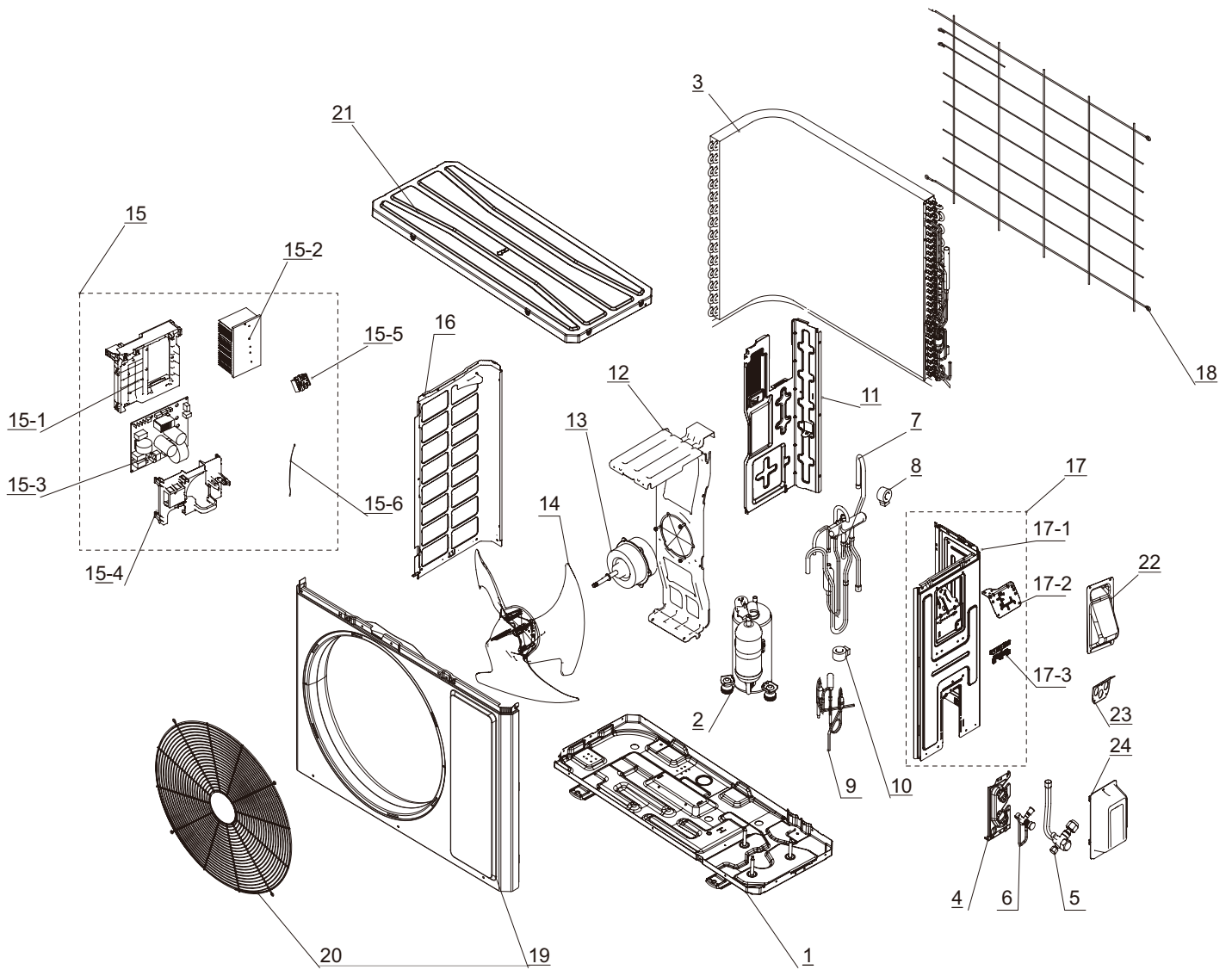


SAP24HP230V1R32AO



The component picture is only for reference; please refer to the actual product.

| No. | Part Description | Qty | Part No. |
|------|-------------------------|-----|-------------------|
| 1 | Chassis Sub-assy | 1 | 01700006071117P |
| NS | Electrical Heater | 1 | '765100049 |
| 2 | Compressor and Fittings | 1 | '009001060966 |
| NS | Compressor Gasket | 3 | '76713066 |
| 3 | Condenser Assy | 1 | 0110020619502 |
| 11 | Clapboard Assy | 1 | '000075060173 |
| 6 | Cut-off valve 1/4(N) | 1 | '070001060027 |
| 4 | Valve Support | 1 | '012044060031P |
| 5 | Cut-off valve 5/8(N) | 1 | '070001060032 |
| 7 | 4-Way Valve Assy | 1 | '030152061618 |
| NS | Silencer 1 | 1 | '07243050 |
| NS | Strainer | 1 | '0721304401 |
| 9 | Expansion Valve | 1 | '072009060006 |
| 10 | Expansion Valve Fitting | 1 | 07200206002301 |
| 14 | Axial Flow Fan | 1 | '103002060027 |
| 8 | 4 Way Valve Coil | 1 | '43000400128 |
| 15 | Electric Box Assy | 1 | '100002082552 |
| 15-1 | Electric Box | 1 | 20001306010201 |
| 15-2 | Radiator | 1 | '430034060150 |
| 15-3 | Main Board | 1 | '300027063995 |
| 15-4 | Electric Box Cover | 1 | 20008206007701 |
| 15-5 | Terminal Board | 1 | 42200006007501 |
| 16 | Left Side Plate | 1 | '012055060389P |
| 17 | Right Side Plate Assy | 1 | '000081060373 |
| 17-3 | Wire Clamp | 1 | '200015060021 |
| 17-1 | Right Side Plate | 1 | 01205606073801 |
| NS | Front Panel Assy | 1 | 00000306073801 |
| 20.0 | Front Grill | 1 | '016004060018 |
| 19.0 | Cabinet | 1 | 01202206001901P02 |
| 21 | Top Cover Sub-Assy | 1 | '000051060149 |
| 24 | Valve Cover | 1 | 20008706000804 |
| 18 | Rear Grill | 1 | '016001060087 |
| 7 | Drainage Joint | 1 | '26113009 |