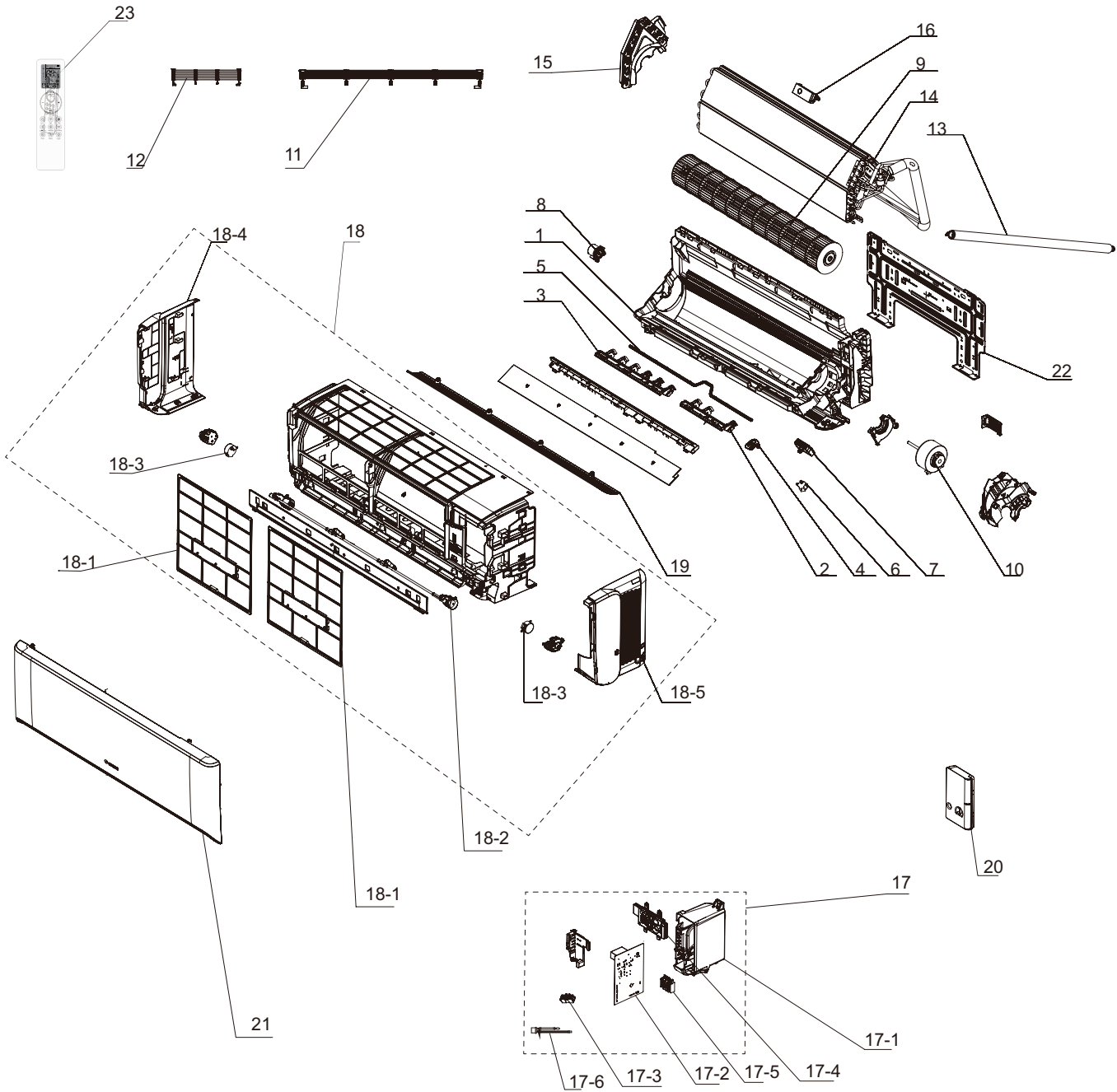


# SAP24HP230V1R32AH



The component picture is only for reference; please refer to the actual product.

**SAP24HP230V1R32AH**

No.	Part Description	Qty	Part No.
1	Rear Case Sub-Assy	1	00037706010601
8	Axile Bush Sub-assy	1	'1054204701
2	Air Louver 1	2	'200007060101
3	Air Louver 1	1	'200007060104
4	Air Louver	1	'200007060103
5	Swing Lever	1	'200035060042
6	Stepping Motor	1	'1521210704
10	Brushless DC Motor	1	15010406011601
9	Cross Flow Fan	1	'103001060035
NS	Cable Cross Plate	1	'02122023P
NS	Rear Grill Sub-assy	3	'209168000018
13	Drainage Hose	1	'0523001405
14	Evaporator Assy	1	1100106241103
15	Evaporator Support(D7)	1	'200025060025
17	Electric Box Assy	1	'100002082549
17-3	Jumper	1	'4202021928
17-4	Display Board	1	'300001061425
17-1	Electric Box	1	'200013060122
17-2	Main Board	1	'300002064120
17-5	Terminal Board	1	'422000000022
17-6	Temperature Sensor	1	'3900031302
NS	Front Case Sub-assy	1	'209007060122
18-1	Filter Sub-Assy	2	'1101200703
18-2	Connecting Rod Sub-Assy	1	'000110060023
18-3	Stepping Motor	2	'1501213905
NS	Top Cover	1	'200050060043
18-4	Left Side Plate Sub-Assy	1	'017037060360
18-5	Right Side Plate Sub-Assy	1	'209043060010
NS	Bottom Cover Plate	1	'180385000004
19	Guide Louver	1	'200004060228
20	Electric Box Cover	1	'200082060089
21	Wall Mounting FrameFrame	1	'012043060024
23	Remote Controller	1	'305001060233
NS	Gas Sensor	1	34002406001601