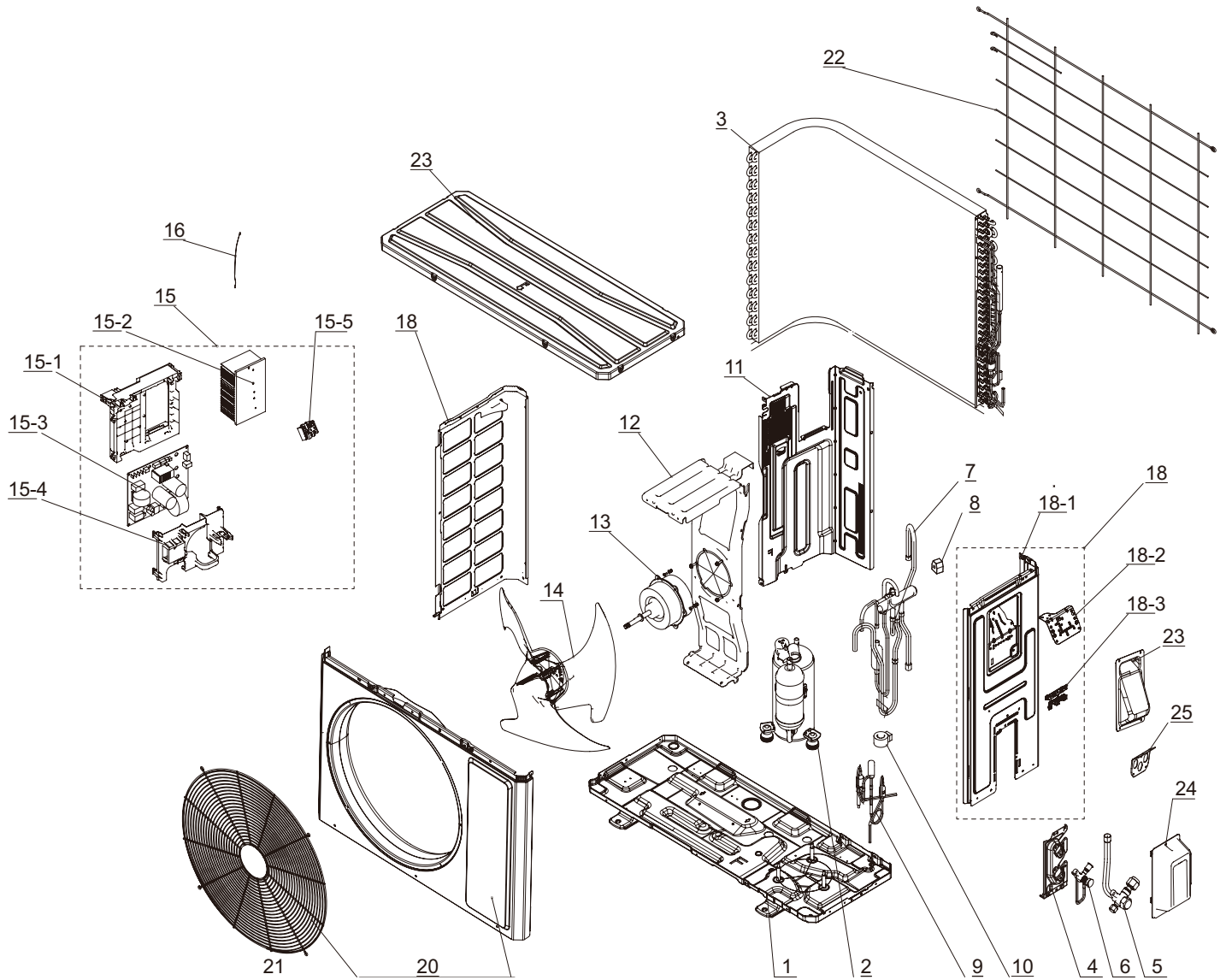


SAP18HP230V1R32AO



The component picture is only for reference; please refer to the actual product.

No.	Part Description	Qty	Part No.
1	Chassis Sub-assy	1	01700006076102P
NS	Electrical Heater	1	'765100049
2	Compressor and Fittings	1	'009001061004
NS	Compressor Gasket	3	'009033060003
NS	Strainer	1	'0721304401
4	Valve Support	1	'012044060032P
5	Cut off Valve 5/8(N)	1	'070001060034
6	Cut-off valve 1/4(N)	1	'070001060022
7	4-Way Valve Assy	1	'030152061430
NS	Silencer	1	'07243027
3	Condenser Assy	1	01100206175501
10	Electric Expansion Valve Fitting	1	07200206002309
8	4 Way Valve Coil	1	'43000400128
11	Clapboard Assy	1	'000075060128
12	Motor Support	1	'012048060145
14	Axial Flow Fan	1	'10335262
17	Left Side Plate	1	'012055060393P
15	Electric Box Assy	1	'100002082796
15-1	Electric Box	1	20001306008501
15-3	Main Board	1	'300027064009
15-4	Electric Box Cover	1	20008206006801
15-5	Terminal Board	1	42200006007501
16	Temperature Sensor	1	39000106006901
18	Right Side Plate Assy	1	00008106038902
18-1	Right Side Plate	1	01205606037704p
18-2	Earthing Plate Sub-Assy	1	01724600000204
18-3	Wire Clamp	1	'200015060021
NS	Front Panel Assy	1	00000306054301
19	Front Panel	1	01207306161101
21	Rear Grill	1	'016001060088
22	Top Cover Assy	1	'000097060333
25	Cable Cross Plate	1	01220906004101P
24	Valve Cover	1	20008706000503
NS	Drainage Joint	1	'26113009