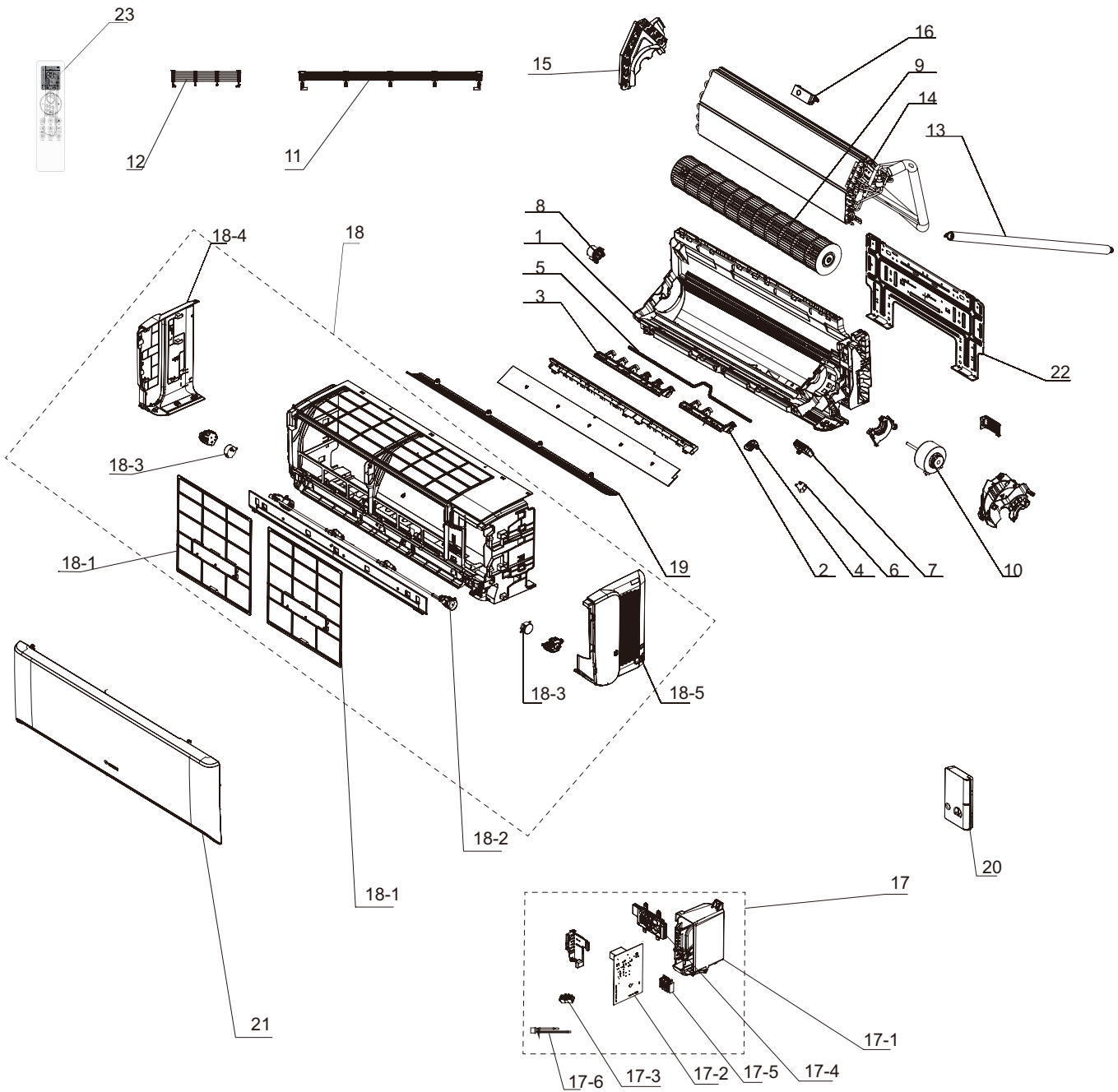


SAP18HP230V1R32AH



The component picture is only for reference; please refer to the actual product.

SAP18HP230V1R32AH

No.	Part Description	Qty	Part No.
1	Rear Case Sub-Assy	1	00037706010601
2	Axile Bush Sub-assy	1	'1054204701
3	Air Louver 1	2	'200007060101
4	Air Louver 1	1	'200007060104
5	Air Louver	1	'200007060103
6	Swing Lever	1	'200035060042
7	Stepping Motor	1	'1521210704
9	Brushless DC Motor	1	15010406011601
10	Cross Flow Fan	1	'103001060035
NS	Cable Cross Plate	1	'02122023P
NS	Rear Grill Sub-assy	3	'209168000018
11	Drainage Hose	1	'0523001405
12	Evaporator Assy	1	01100106241101
13	Evaporator Support(D7)	1	'200025060025
15	Electric Box Assy	1	'100002082801
15-1	Jumper	1	'4202021929
15-2	Display Board	1	'300001061425
15-3	Electric Box	1	'200013060122
15-4	Main Board	1	'300002064120
15-5	Terminal Board	1	'422000000022
15-6	Temperature Sensor	1	'3900031302
16-1	Front Case Sub-assy	1	'209007060122
16-2	Filter Sub-Assy	2	'1101200703
16-3	Connecting Rod Sub-Assy	1	'000110060023
16-6	Stepping Motor	2	'1501213905
16-7	Top Cover	1	'200050060043
16-8	Left Side Plate Sub-Assy	1	'017037060360
16-9	Right Side Plate Sub-Assy	1	'209043060010
17	Bottom Cover Plate	1	'180385000004
18	Guide Louver	1	'200004060228
19	Electric Box Cover	1	'200082060089
21	Wall mounting Frame	1	'012043060024
22	Remote Controller	1	'305001060233
NS	Gas Sensor	1	1