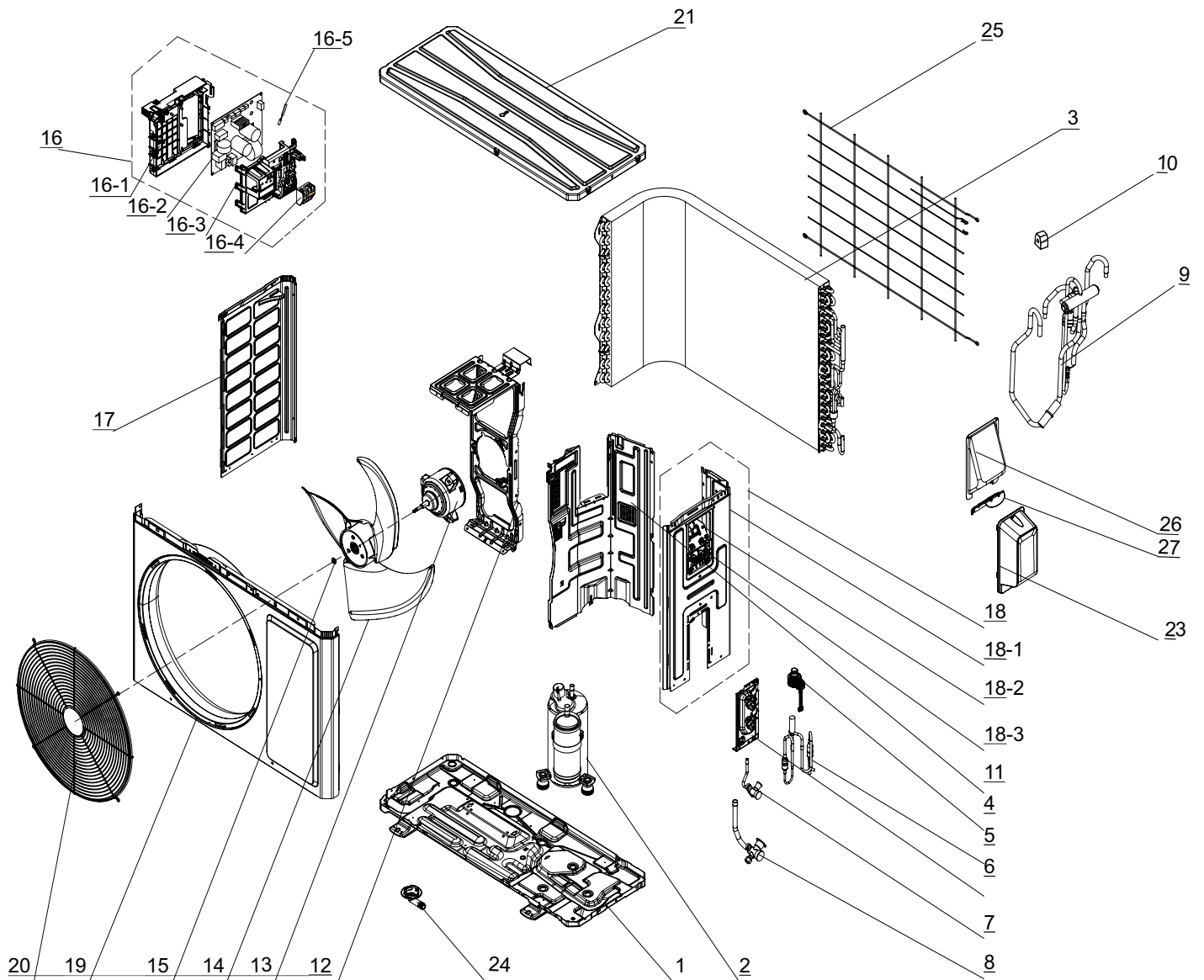


SAP12HP230V1R32AO



The component picture is only for reference; please refer to the actual product.

No.	Part Description	Qty	Part No.
1	Chassis Sub-assy	1	'017000060861P
NS	Chassis	1	'7651000423
8	Compressor and Fittings	1	'009001061153
9	Compressor Gasket	3	'009012060053
23	Condenser Assy	1	01100206218002
11	4-Way Valve Assy	1	'030152061623
NS	Silencer	1	'07245013
18	Valve Support	1	'012044060022P
16	Cut-off valve 1/2(N)	1	'070001060024
17	Cut-off valve 1/4(N)	1	'070001060022
NS	Valve Sub-Assy	1	'030026061659
NS	Strainer A	1	'0721002201
20	Electric Expansion Valve Fitting	1	07200206002301
24	Clapboard Assy	1	'000075060125
25	Motor Support	1	'012048060148
4	Axial Flow Fan	1	'10333014
NS	Block gasket	1	'70413008
32	Electric Box Assy	1	'100002082666
28	Terminal Board	1	42200006007501
30	Main Board	1	'300027063958
NS	Magnet Coil	1	'4300040072
NS	Temperature Sensor	1	39000106006901
27	Left Side Plate	1	'012055060392P
14	Right Side Plate Assy	1	8106043401
NS	Right Side Plate	1	01205606036804P
NS	Earthing Plate Assy	1	'017246000007
NS	Wire Clamp	1	'200015060023
1	Front Panel Assy	1	'000003060804
2	Front Grill	1	'016004060012
3	Cabinet	1	01202206001101P
26	Top Cover Assy	1	'000097060315
NS	Rear Grill	1	'016001060086
NS	Cable Cross Plate	1	01220906002802P
NS	Cable Cross Plate	1	'012209060027P
19	Valve Cover	1	20008706000503
5	Drainage hole Cap	2	'76711012
7	Drainage Joint	1	'26113009