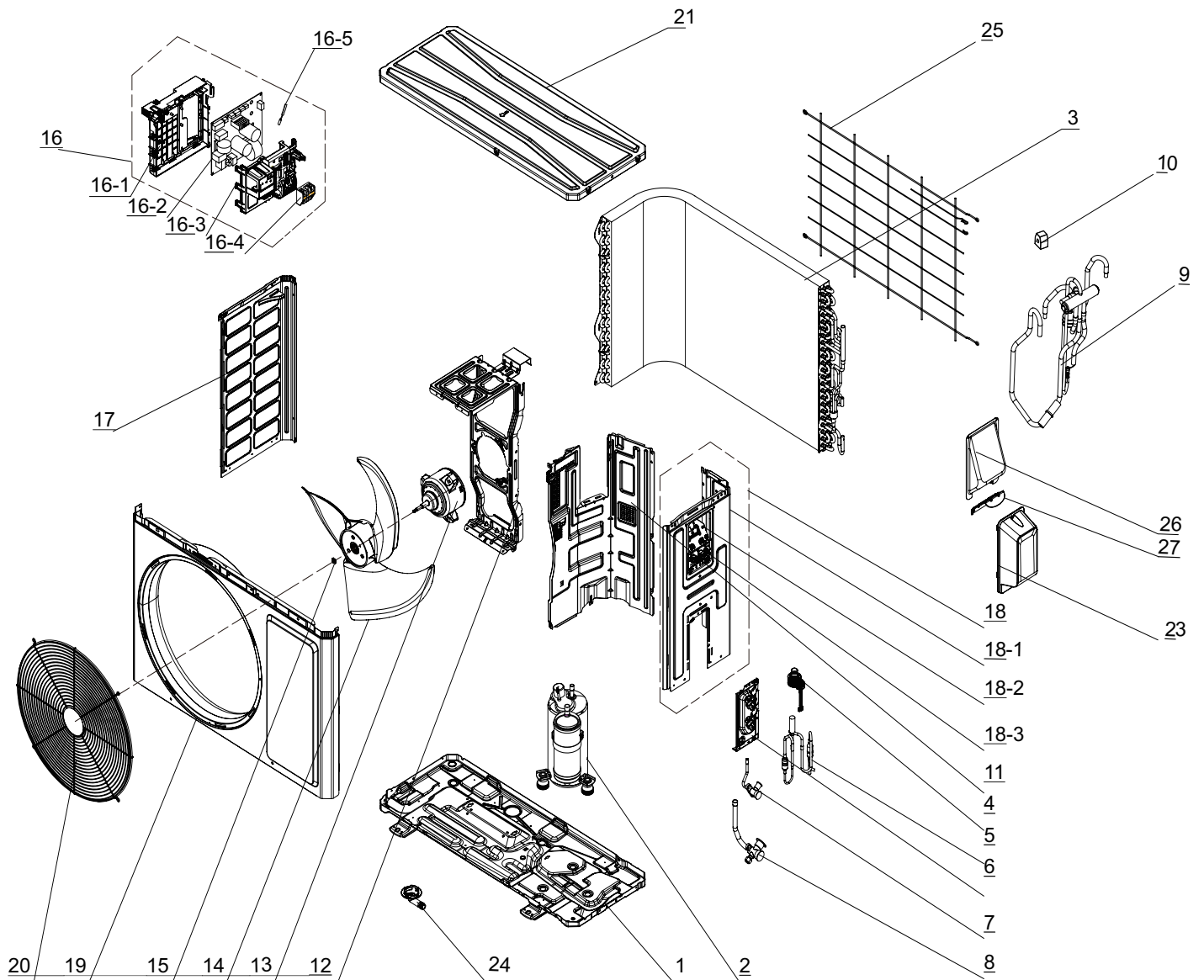


SAP09HP230V1R32AO



The component picture is only for reference; please refer to the actual product.

SAP09HP230V1R32AO

No.	Part Description	Qty	Part No.
1	Chassis Sub-assy	1	'017000060861P
2	Compressor and Fittings	1	'009001061153
3	Condenser Assy	1	'01100206218002
NS	Expansion Valve Fitting	1	'07200206002301
4	Expansion Valve Sub-Assy	1	'030026061659
6	Valve Support	1	'012044060022P
8	Cut-off valve 1/2(N)	1	'070001060024
7	Cut-off valve 1/4(N)	1	'070001060022
9	4-Way Valve Assy	1	'030152061623
NS	4 Way Valve Coil	1	'07201006002409
11	Clapboard	1	012051061217
NS	Clapboard Assy	1	'000075060125
12	Motor Support	1	'012048060148
13	Brushless DC Motor	1	` 15010406010206
14	Axial Flow Fan	1	'10333014
NS	Block gasket	1	'70413008
16	Electric Box Assy	1	'100002082692
16-1	Electric Box	1	`20006506002401
16-2	Main Board	1	'300027063964
16-3	Controller Cover	1	20006606003101
16-4	Terminal Board	1	'42200006007501
16-5	Temperature Sensor	1	39000106006901
17	Left Side Plate	1	'012055060392P
NS	Right Side Plate Assy	1	00008106043401
14	Right Side Plate	1	'01205606036804P
NS	Earthing Plate Assy	1	'017246000007
NS	Wire Clamp	1	'200015060023
NS	Cabinet	1	'01202206001101P
2	Front Grill	1	'016004060012
26	Top Cover Assy	1	'000097060315
19	Valve Cover	1	'20008706000503
7	Drainage Joint	1	'26113009
NS	Rear Grill	1	'016001060086
NS	Cable Cross Plate	1	'01220906002802P
NS	Cable Cross Plate	1	'012209060027P