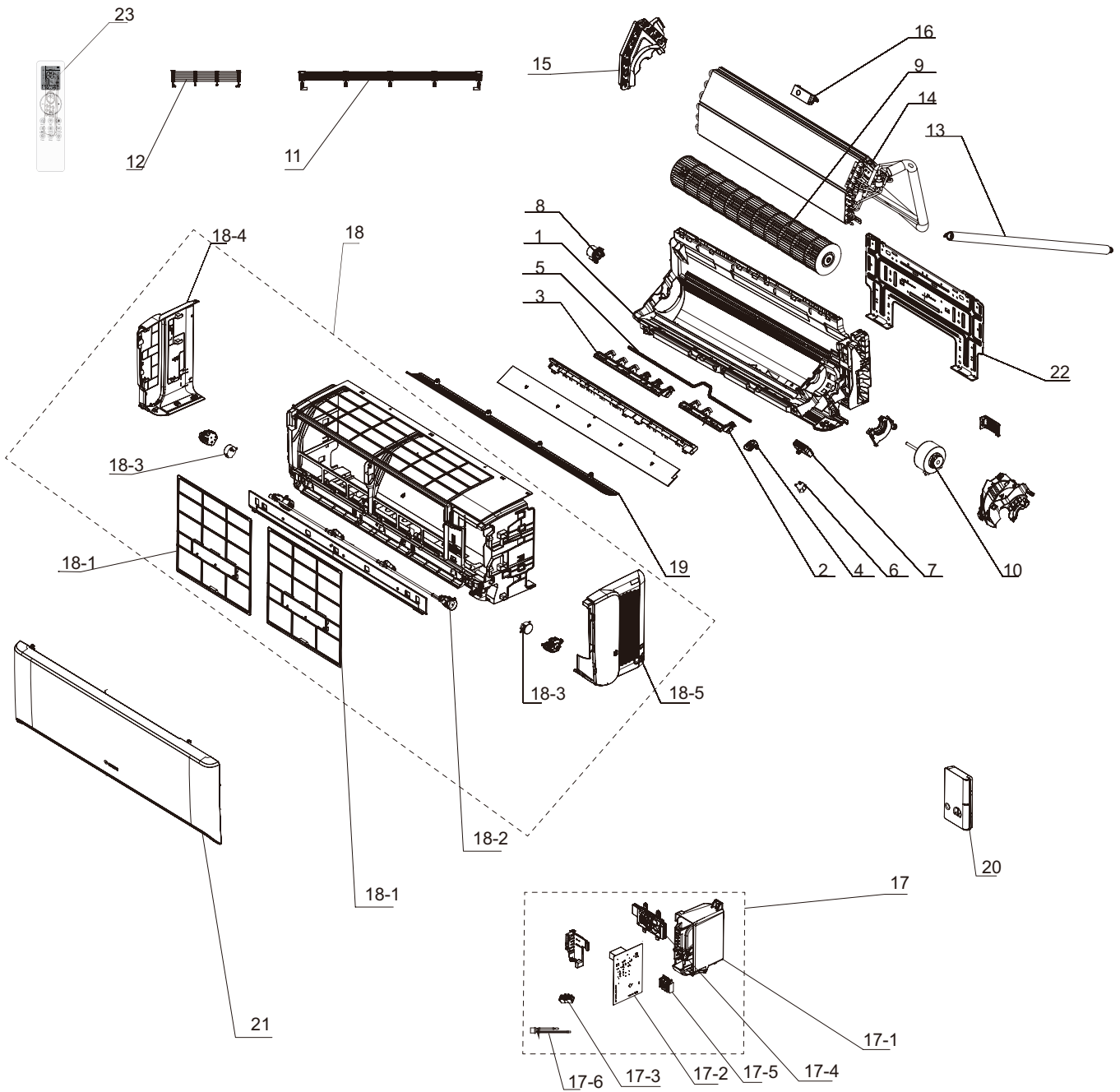


### SAP09HP230V1R32AH



The component picture is only for reference; please refer to the actual product.

### SAP09HP230V1R32AH

No.	Part Description	Qty	Part No.
1	Rear Case Sub-Assy	1	'00037706010701
2	Air Louver (Auto)	1	'200007060115
3	Air Louver (Auto)	1	'200007060114
4	Air Louver (Auto)	1	'200007060116
5	Swing Lever	1	'200035060043
6	Stepping Motor	1	'1521210704
8	Axile Bush Sub-assy	1	'1054204701
9	Cross Flow Fan	1	'103001060034
10	Brushless DC Motor	1	'15010406008802
11	Rear Grill Sub-assy 1	1	'209168000010
12	Rear Grill Sub-assy 2	1	'209168000011
13	Drainage Hose	1	'05230014
14	Evaporator Assy	1	'011001062414
15	Evaporator supporter	1	'200025060024
17	Electric Box Assy	1	'100002082681
17-1	Electric Box	1	'200013060122
17-2	Main Board	1	'300002064120
17-3	Jumper	1	'4202021903
17-4	Display Board	1	'300001061425
17-5	Terminal Board	1	'422000000022
17-6	Temperature Sensor	1	'3900031302
18	Front Case Assy	1	'000002060360
18-1	Filter Sub-Assy	2	111001060404
18-2	Connecting Rod Sub-assy	1	'000110060021
18-3	Stepping Motor	2	'1501213905
18-4	Left Side Plate Sub-Assy	1	'017037060360
18-5	Right Side Plate Sub-Assy	1	'209043060010
19	Guide Louver	1	'200004060230
20	Electric Box Cover	1	'200082060089
21	Front Panel Assy	1	'000003060822
22	Wall Mounting Frame	1	'012043060024
23	Remote Controller	1	'305001060233
NS	R32 Refrigerant Sensor	1	34002406001601