

## SUBMITTAL DATA

MUL18HP230V1R32AO  
18000 BTU/H Multi-Zone Heat Pump System

|                  |              |      |
|------------------|--------------|------|
| Job Name         | Location     | Date |
| Purchaser        | Engineer     |      |
| Submitted to     | For          |      |
| Unit Designation | Schedule No. |      |



MUL18HP230V1R32AO

### GENERAL FEATURES

- AHRI Certificate: 215218913 (Non-Ducted)  
215218918 (Ducted)  
215218923 (Mixed)
- High Efficiency DC Inverter Technology
- Compact and Quiet Design
- Auto Restart on Power Outages
- Multi-point Diagnostics
- Wi-Fi Included (Factory Installed)
- Low Ambient Cooling down to -22°F (Range -22°F to 118°F)
- Low Ambient Heating down to -22°F (Range -22°F to 75°F)
- Coil (Indoor and Outdoor) Copper Tube / Aluminum Fin
- Blue Colored Fin - 500 Hrs Salt Spray Tested

# MULTI-ZONE COMPATIBILITY CHART

## WALL MOUNT OPTIONS

|                         | MULTI-ZONE        |                   |                   |                   |                   |
|-------------------------|-------------------|-------------------|-------------------|-------------------|-------------------|
|                         | MUL18HP230V1R32AO | MUL24HP230V1R32AO | MUL30HP230V1R32AO | MUL36HP230V1R32AO | MUL42HP230V1R32AO |
| <b>LIVO</b>             |                   |                   |                   |                   |                   |
| <b>System Model no.</b> |                   |                   |                   |                   |                   |
| LIV05HP230V1R32AH       | •                 | •                 | •                 | •                 | •                 |
| LIV07HP230V1R32AH       | •                 | •                 | •                 | •                 | •                 |
| LIV09HP230V1R32AH       | •                 | •                 | •                 | •                 | •                 |
| LIV12HP230V1R32AH       | •                 | •                 | •                 | •                 | •                 |
| LIV18HP230V1R32AH       |                   | •                 | •                 | •                 | •                 |
| LIV24HP230V1R32AH       |                   |                   | •                 | •                 | •                 |
| LIV30HP230V1R32AH       |                   |                   |                   |                   |                   |
| LIV36HP230V1R32AH       |                   |                   |                   |                   |                   |
| <b>VIREO</b>            |                   |                   |                   |                   |                   |
| <b>System Model no.</b> |                   |                   |                   |                   |                   |
| VIR09HP230V1R32AH       | •                 | •                 | •                 | •                 | •                 |
| VIR12HP230V1R32AH       | •                 | •                 | •                 | •                 | •                 |
| VIR18HP230V1R32AH       |                   | •                 | •                 | •                 | •                 |
| VIR24HP230V1R32AH       |                   |                   | •                 | •                 | •                 |
| <b>ENVO</b>             |                   |                   |                   |                   |                   |
| <b>System Model no.</b> |                   |                   |                   |                   |                   |
| ENV09HP230V1R32AH       | •                 | •                 | •                 | •                 | •                 |
| ENV12HP230V1R32AH       | •                 | •                 | •                 | •                 | •                 |
| ENV18HP230V1R32AH       |                   | •                 | •                 | •                 | •                 |
| ENV24HP230V1R32AH       |                   |                   | •                 | •                 | •                 |
| <b>SAPPHIRE</b>         |                   |                   |                   |                   |                   |
| <b>System Model no.</b> |                   |                   |                   |                   |                   |
| SAP09HP230V1R32AH       | •                 | •                 | •                 | •                 | •                 |
| SAP12HP230V1R32AH       | •                 | •                 | •                 | •                 | •                 |
| SAP18HP230V1R32AH       |                   | •                 | •                 | •                 | •                 |
| SAP24HP230V1R32AH       |                   |                   | •                 | •                 | •                 |

## ADDITIONAL INDOOR UNIT OPTIONS

|                         | MULTI-ZONE        |                   |                   |                   |                   |
|-------------------------|-------------------|-------------------|-------------------|-------------------|-------------------|
|                         | MUL18HP230V1R32AO | MUL24HP230V1R32AO | MUL30HP230V1R32AO | MUL36HP230V1R32AO | MUL42HP230V1R32AO |
| <b>ONE WAY CASSETTE</b> |                   |                   |                   |                   |                   |
| <b>System Model no.</b> |                   |                   |                   |                   |                   |
| OWC09HP230V1R32AH       | •                 | •                 | •                 | •                 | •                 |
| OWC12HP230V1R32AH       | •                 | •                 | •                 | •                 | •                 |
| OWC18HP230V1R32AH       |                   | •                 | •                 | •                 | •                 |
| OWC24HP230V1R32AH       |                   |                   | •                 | •                 | •                 |
| <b>CEILING CASSETTE</b> |                   |                   |                   |                   |                   |
| <b>System Model no.</b> |                   |                   |                   |                   |                   |
| CAS09HP230V1R32AH       | •                 | •                 | •                 | •                 | •                 |
| CAS12HP230V1R32AH       | •                 | •                 | •                 | •                 | •                 |
| CAS18HP230V1R32AH       |                   | •                 | •                 | •                 | •                 |
| CAS24HP230V1R32AH       |                   |                   | •                 | •                 | •                 |
| <b>SLIM DUCT</b>        |                   |                   |                   |                   |                   |
| <b>System Model no.</b> |                   |                   |                   |                   |                   |
| DUC09HP230V1R32AH       | •                 | •                 | •                 | •                 | •                 |
| DUC12HP230V1R32AH       | •                 | •                 | •                 | •                 | •                 |
| DUC18HP230V1R32AH       |                   | •                 | •                 | •                 | •                 |
| DUC24HP230V1R32AH       |                   |                   | •                 | •                 | •                 |
| <b>FLOOR/CEILING</b>    |                   |                   |                   |                   |                   |
| <b>System Model no.</b> |                   |                   |                   |                   |                   |
| FLR09HP230V1R32AH       | •                 | •                 | •                 | •                 | •                 |
| FLR12HP230V1R32AH       | •                 | •                 | •                 | •                 | •                 |
| FLR18HP230V1R32AH       |                   | •                 | •                 | •                 | •                 |
| FLR24HP230V1R32AH       |                   |                   | •                 | •                 | •                 |
| <b>MINI-CONSOLE</b>     |                   |                   |                   |                   |                   |
| <b>System Model no.</b> |                   |                   |                   |                   |                   |
| CON09HP230V1R32AH       | •                 | •                 | •                 | •                 | •                 |
| CON12HP230V1R32AH       | •                 | •                 | •                 | •                 | •                 |
| CON18HP230V1R32AH       |                   | •                 | •                 | •                 | •                 |

NOTE: R32 Indoor units are only compatible with R32 Outdoor units. Keep in mind, line set is always sized by the indoor unit valve diameter.

## SPECIFICATIONS, FEATURES & FUNCTION SUMMARY

| SPECIFICATIONS                  |                                | MUL18HP230V1R32AO                        |                |
|---------------------------------|--------------------------------|--|----------------|
| System Type                     | HEAT PUMP                      |  |                |
| Number of Zones                 | 2                              |  |                |
| SYSTEM PERFORMANCE              |                                | NON-DUCTED INDOOR UNITS                  |                |
| Cooling                         | Min - Max                      | Btu/h                                    | 7,300 - 19,800 |
|                                 | Capacity @95°F                 | Btu/h                                    | 18,000         |
| Heating                         | Min - Max                      | Btu/h                                    | 7,300 - 19,800 |
|                                 | Capacity @47°F                 | Btu/h                                    | 18,000         |
|                                 | Capacity @17°F                 | Btu/h                                    | 15,000         |
|                                 | Capacity Max @5°F              | Btu/h                                    | 13,800         |
| SEER2                           | 21                             |  |                |
| EER2                            | 12.0                           |  |                |
| HSPF2                           | 10.0                           |  |                |
| COP @5°F                        | 2.0                            |  |                |
| COP @47°F                       | 3.9                            |  |                |
| SYSTEM PERFORMANCE              |                                | DUCTED INDOOR UNITS                      |                |
| Cooling                         | Min - Max                      | Btu/h                                    | 7,300 - 19,800 |
|                                 | Capacity @95°F                 | Btu/h                                    | 18,000         |
| Heating                         | Min - Max                      | Btu/h                                    | 7,300 - 19,800 |
|                                 | Capacity @47°F                 | Btu/h                                    | 18,000         |
|                                 | Capacity @17°F                 | Btu/h                                    | 14,000         |
|                                 | Capacity Max @5°F              | Btu/h                                    | 13,600         |
| SEER2                           | 18.0                           |  |                |
| EER2                            | 11.7                           |  |                |
| HSPF2                           | 8.0                            |  |                |
| COP @5°F                        | 1.86                           |  |                |
| SYSTEM PERFORMANCE              |                                | MIXED DUCTED AND NON-DUCTED INDOOR UNITS |                |
| Cooling                         | Min - Max                      | Btu/h                                    | 7000 - 19600   |
|                                 | Capacity @95°F                 | Btu/h                                    | 17000          |
| Heating                         | Min - Max                      | Btu/h                                    | 18,000         |
|                                 | Capacity @47°F                 | Btu/h                                    | 7,300 - 19,800 |
|                                 | Capacity @17°F                 | Btu/h                                    | 18,000         |
|                                 | Capacity Max @5°F              | Btu/h                                    | 14,500         |
| SEER2                           | 19.0                           |  |                |
| EER2                            | 11.8                           |  |                |
| HSPF2                           | 9.0                            |  |                |
| COP @5°F                        | 1.8                            |  |                |
| OUTDOOR UNIT                    |                                | MUL18HP230V1R32AO                        |                |
| Cooling Temperature Range       | °F                             | -22 - 118                                |                |
| Heating Temperature Range       | °F                             | -22 - 75                                 |                |
| Refrigerant Type                | R32                            |  |                |
| Compressor Type                 | GREE G-10 / 2 - STAGE INVERTER |  |                |
| Sound Pressure Level            | dB(A)                          | 54                                       |                |
| External Dimensions (W x H x D) | in                             | 32-23/64 x 21-42/64 x 13-55/64           |                |
| Package Dimension (W x H x D)   | in                             | 34-21/64 x 24-13/32 x 15-43/64           |                |
| Net Weight                      | lbs                            | 75.0                                     |                |
| Gross Weight                    | lbs                            | 81.6                                     |                |

| REFRIGERANT PIPING                  |                       |                |
|-------------------------------------|-----------------------|----------------|
| Refrigerant Charge - R410A          | oz                    | 31.8           |
| Additional Charge                   | oz/ft                 | 0.2            |
| Port Size (Liquid - Gas)            | port A (in)           | 1/4 - 3/8      |
|                                     | port B (in)           | 1/4 - 3/8      |
|                                     | port C (in)           |                |
|                                     | port D (in)           |                |
|                                     | port E (in)           |                |
| Pre-Charge Length                   | ft                    | 33             |
| Pipe Length (Min - Max)             | ft                    | 10 - 131       |
| Pipe Length to furthest Indoor Unit | ft                    | 66             |
| Max. Pipe Elevation                 | ft                    | 49             |
| ELECTRICAL                          |                       |                |
| Power Supply                        | 208-230V / 1Ph / 60Hz |                |
| Voltage Range (Min - Max)           | VAC                   | 187 - 253      |
| Rated Current - Cooling             | A                     | 11             |
| Rated Current - Heating             | A                     | 11             |
| MOCP                                | A                     | 20             |
| Suggested Breaker Size              | A                     | 20             |
| Main Power Wire Size                | AWG                   | Per Local Code |
| Interconnecting Wire Size           | AWG                   | 14 / 4         |

| FEATURES & FUNCTIONS SUMMARY            | MUL18HP230V1R32AO      |
|---|------------------------|
| SYSTEM FEATURES                         |                        |
| Inverter Type                           | G10                    |
| Ultra Low Frequency Torque Control      | Yes                    |
| Power Factor Correction                 | Yes                    |
| Compressor Type - Inverter              | High Efficiency Rotary |
| Basepan With Electric Heater            | Yes                    |
| Indoor & Outdoor Fin Coating (Blue Fin) | Yes                    |
| Intelligent Defrosting                  | Yes                    |
| Intelligent Preheating                  | Yes                    |
| Low Voltage Startup                     | Yes                    |
| Memory/Power Failure Recovery           | Yes                    |
| Self Diagnosis                          | Yes                    |

## ALLOWABLE COMBINATIONS CAPACITIES

| MODEL NUMBER      | POSSIBLE COMBINATIONS* | COOLING CAPACITY (Btu/h) |        |       |       |       | HEATING CAPACITY (Btu/h) |        |       |       |       |
|-------------------|------------------------|--------------------------|--------|-------|-------|-------|--------------------------|--------|-------|-------|-------|
|                   |                        | ZONE1                    | ZONE2  | ZONE3 | ZONE4 | ZONE5 | ZONE1                    | ZONE2  | ZONE3 | ZONE4 | ZONE5 |
| MUL18HP230V1R32AO | 5K+5K                  | 5,000                    | 5,000  |       |       |       | 6,000                    | 6,000  |       |       |       |
| MUL18HP230V1R32AO | 7K+7K                  | 7,000                    | 7,000  |       |       |       | 8,000                    | 8,000  |       |       |       |
| MUL18HP230V1R32AO | 5K+7K                  | 5,000                    | 7,000  |       |       |       | 6,000                    | 8,000  |       |       |       |
| MUL18HP230V1R32AO | 9K+9K                  | 9,000                    | 9,000  |       |       |       | 9,000                    | 9,000  |       |       |       |
| MUL18HP230V1R32AO | 9K+12K                 | 7,714                    | 10,286 |       |       |       | 7,714                    | 10,286 |       |       |       |
| MUL18HP230V1R32AO | 12K+12K                | 9,000                    | 9,000  |       |       |       | 9,000                    | 9,000  |       |       |       |

Outdoor Unit & Possible Indoor Unit Combinations with AHRI Certified Performance

\*You may substitute the 9K unit with a 5K or 7K High Wall unit, find complete capacity information in the extended ratings chart.

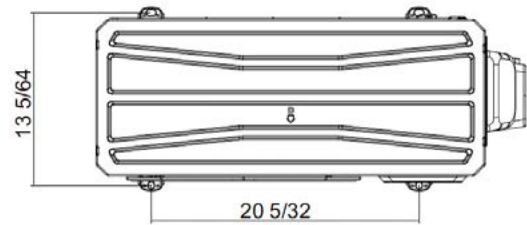
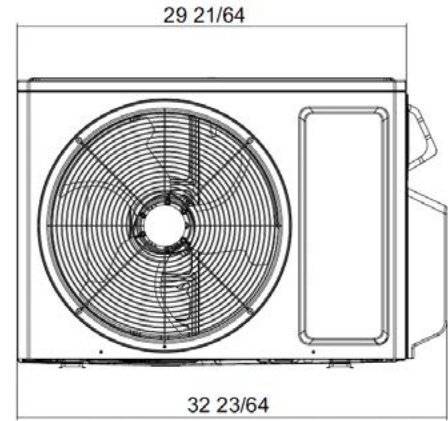
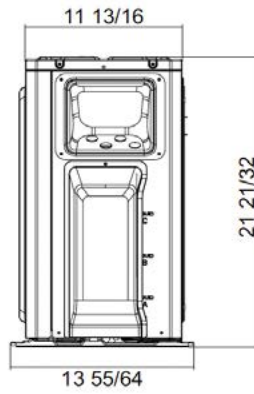
## DIMENSIONS

### OUTDOOR UNIT

Unit: inch

MUL18HP230V1R32AO

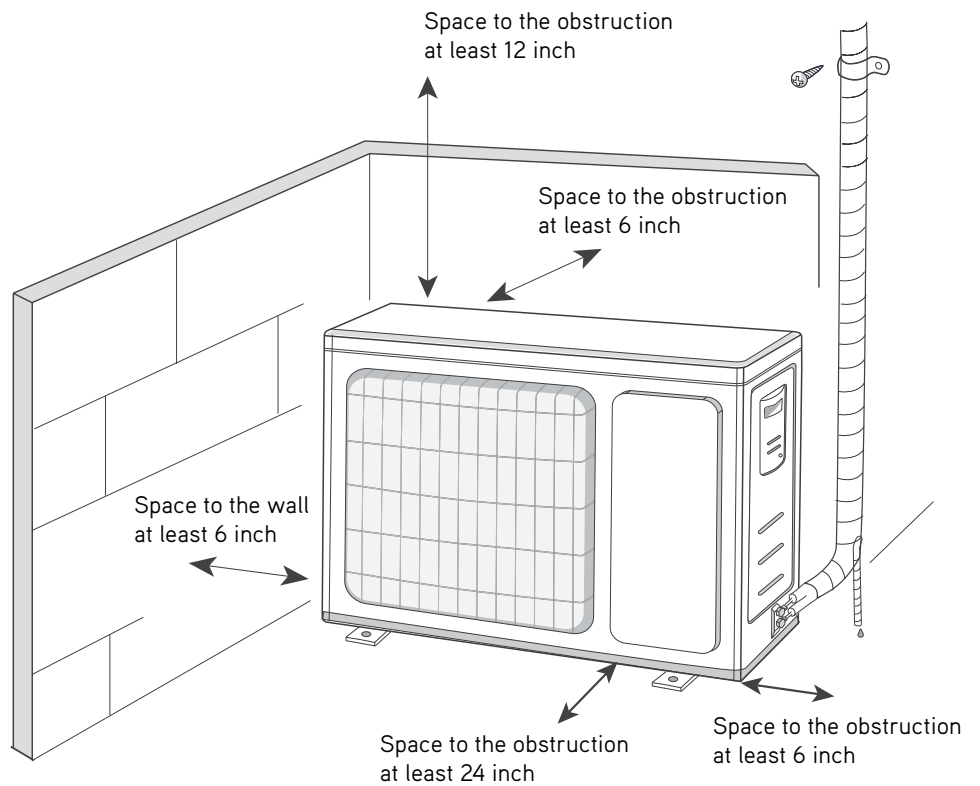
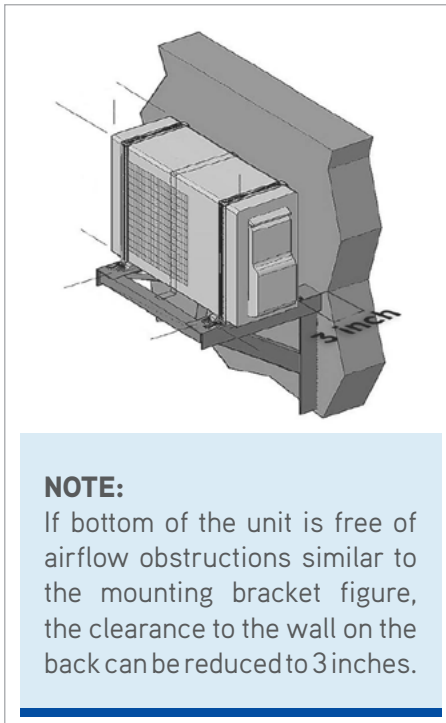
DIMENSIONS



## CLEARANCES

### OUTDOOR UNIT

Minimum clearance



Specifications are subject to change without notice. Manufacturer reserves the right to discontinue or modify specifications or designs without notice or without incurring obligations. All Rights reserved.

[Greecomfort.com/system-documentation](http://Greecomfort.com/system-documentation)