

## EXPLODED VIEW & PARTS LIST



### Outdoor unit

MUL18HP230V1R32AO

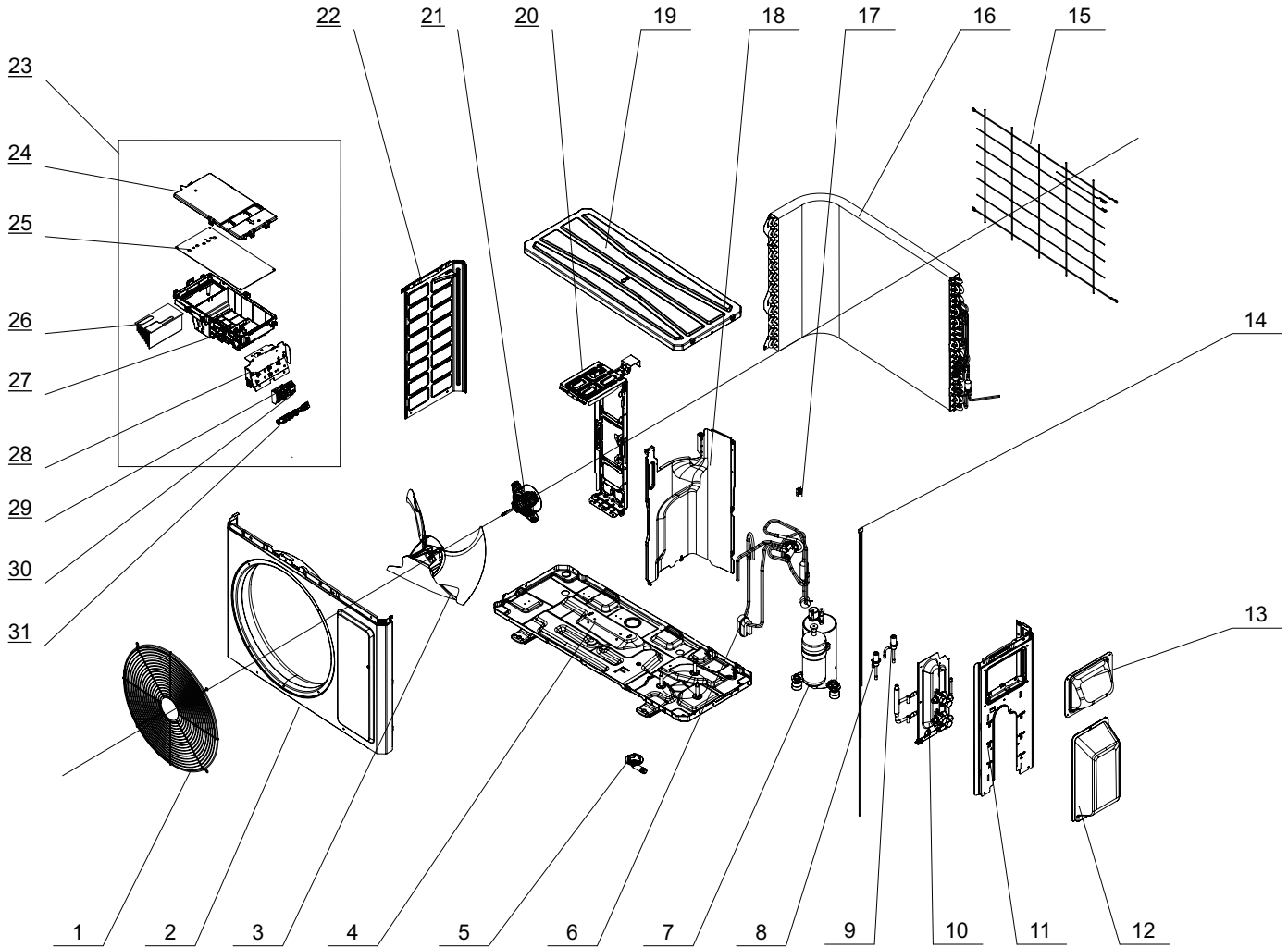
MUL24HP230V1R32AO

MUL30HP230V1R32AO

MUL36HP230V1R32AO

MUL42HP230V1R32AO

# MUL18HP230V1R32AO



GREE ELECTRIC APPLIANCES INC. OF ZHUHAI  
GREECOMFORT.COM



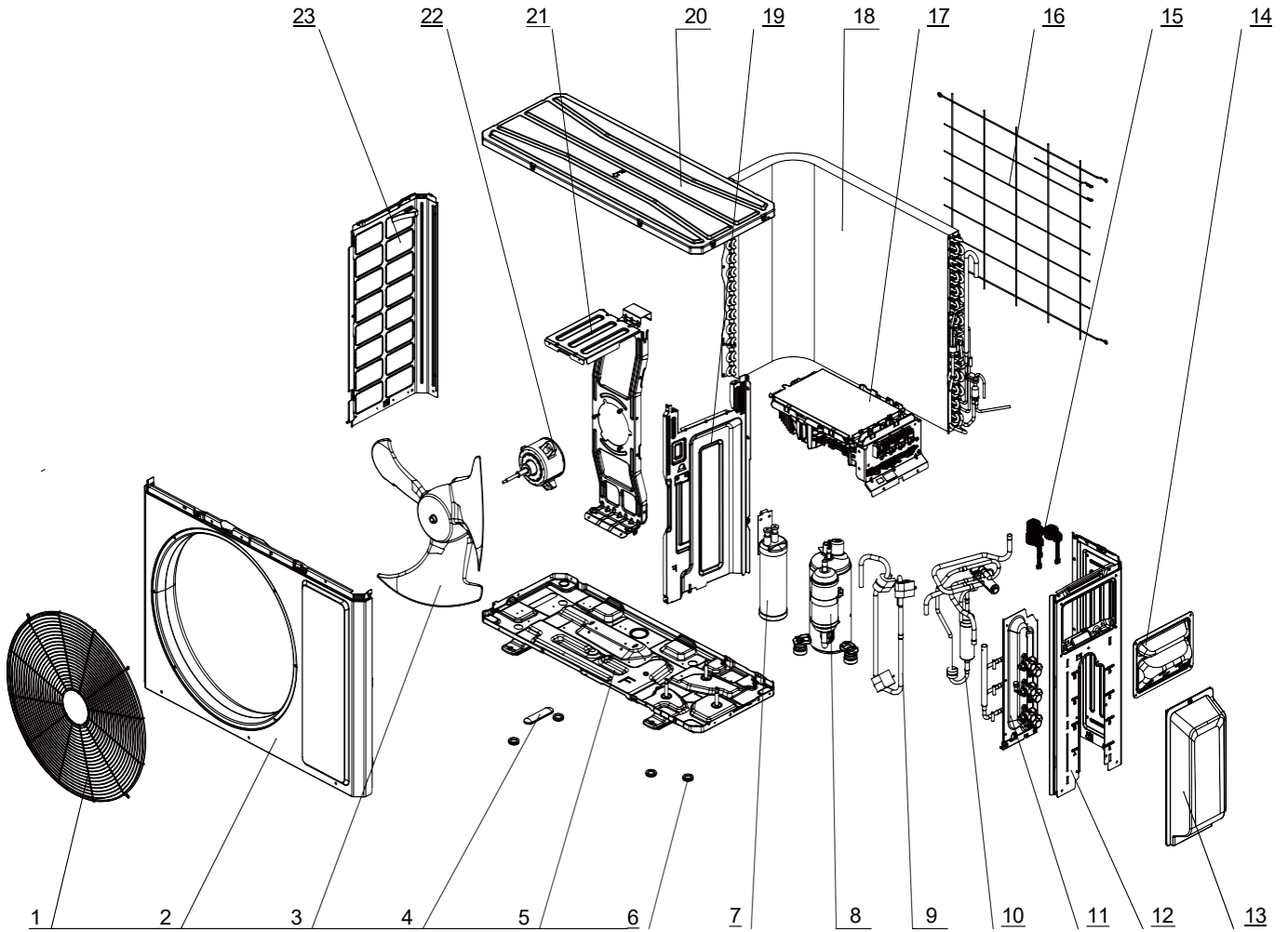
[Back to main page](#)

## MUL18HP230V1R32AO

No.	Part Description	Qty	Part No.
4	Chassis Sub-assy	1	017000060690P
7	Compressor and Fittings	1	00900106061701
NS	Compressor Gasket	3	009033060003
NS	Compressor Overload	1	00183032
NS	Compressor Overload	1	00183031
16	Condenser Assy	1	01100206211301
10	Valve Support Assy	1	030163060044
NS	Cut off Valve Sub-Assy(1/4)	2	030057060367
NS	Cut off Valve Sub-Assy 3/8	2	030057060366
NS	Cut off Valve	1	071302391
8	EEV Sub-Assy 2	1	030174060148
9	EEV Sub-Assy 1	1	072009060033
NS	Strainer	1	0721304401
NS	Current Divider	1	07222401
NS	Electronic Expansion Valve	1	072009060033
NS	Strainer	1	0721304401
6	4-Way Valve Assy	1	030152061660
NS	4-Way Valve Assy	1	030152061654
20	Motor Support	1	01204806014001
21	Brushless DC Motor	1	15010406009506
3	Axial Flow Fan	1	103002060015
NS	4 Way Valve Coil	1	43000400128
NS	Electric Expand Valve Fitting	1	07200206002309
NS	Electric Expand Valve Fitting	1	07200206002315
23	Electric Box Assy	1	100002082578
25	Main Board	1	300027063944
NS	XY capacitor	3	33020201
29	Terminal Board	1	42200006007501
30	Terminal Board	1	422000060015
31	Wire Clamp	1	200015060023
NS	Insulation Gasket	1	70410334
14	Temperature Sensor	1	39000106006902
NS	Sensor Sub-assy	1	390002060125
22	Left Side Plate	1	012055060395P01
11	Right Side Plate	1	01205606039601
2	Front Panel Assy	1	000003060750
1	Front Grill	1	016004060011
19	Top Cover Assy	1	000097060355
15	Rear Grill	1	016001060082
13	Handle Assy	1	000223000028
12	Valve Cover	1	200087060006
NS	Pipe Connector	2	06642038
5	Drainage Joint	1	26113009



# MUL24HP230V1R32AO



The component is only for reference; please refer to the actual product.

GREE ELECTRIC APPLIANCES INC. OF ZHUHAI  
GREECOMFORT.COM



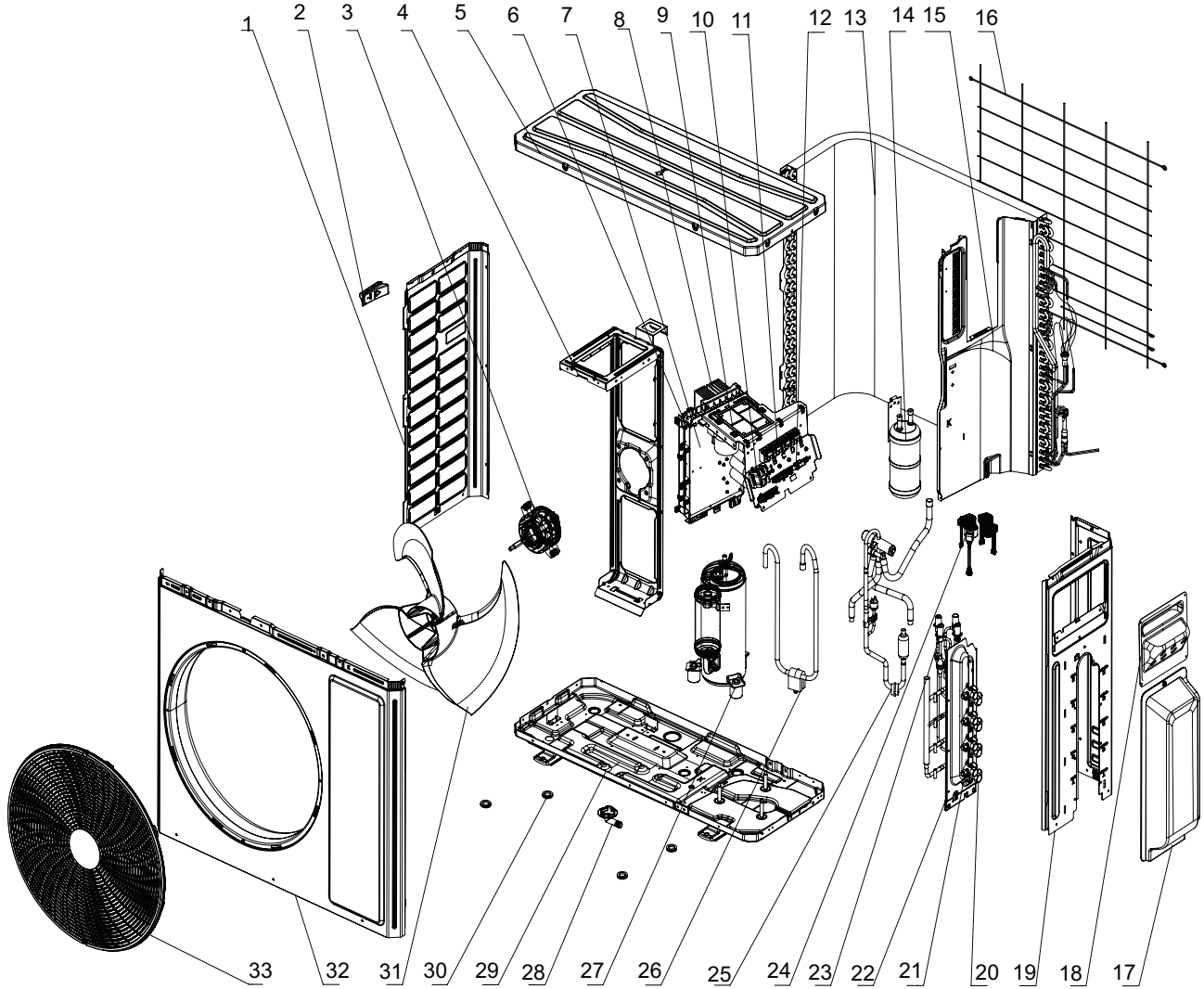
[Back to main page](#)

## MUL24HP230V1R32AO

No.	Part Description	Qty	Part No.
5	Chassis Sub-Assy	1	017000060725P
NS	Electrical Heater	1	765100049
8	Compressor and Fittings	1	00900106060301
NS	Compressor Gasket	3	009012000022
NS	Compressor Overload	1	00183032
NS	Compressor Overload	1	00183031
18	Condenser Assy	1	01100206164802
11	Valve Support Assy	1	030163060029
NS	Cut off Valve Sub-Assy 3/8	3	030057060366
NS	Cut off Valve	1	071302391
NS	Cut off Valve Sub-Assy (1/4)	3	030057060367
NS	Electronic Expansion Valve Assy	1	030174060163
NS	Electronic Expansion Valve	1	072009060033
NS	Strainer	1	0721304401
NS	Strainer	1	0721304401
NS	Electronic Expansion Valve	1	072009060033
NS	Electronic Expansion Valve	1	072009060033
NS	Strainer	1	0721304401
15	Electric Expand Valve Fitting	1	07200206002312
NS	Electric Expand Valve Fitting	1	07200206002327
NS	Electric Expand Valve Fitting	1	07200206002326
10	4-Way Valve Assy	1	030152060962
NS	4-Way Valve Assy	1	030152060698
NS	Silencer	1	07243027
19	Clapboard Sub-Assy	1	017021060671
7	Gas-liquid Separator	1	07223048
21	Motor Support	1	012048060145
22	Brushless DC Motor	1	15010406010306
3	Axial Flow Fan	1	10335262
NS	4 Way Valve Coil	1	43000400128
17	Electric Box Assy	1	100002082579
NS	Main Board	1	300027063945
NS	Electric Box Cover	1	2012302801
NS	Terminal Board	1	42000100000102
NS	Terminal Board	3	422000060015
NS	Insulation Gasket	2	70410334
NS	Wire Clamp	1	200015060025
NS	Temperature Sensor	1	3900007316
NS	Temperature Sensor	1	3900007319
NS	Temperature Sensor	1	3900007317
23	Left Side Plate	1	012055060393P
12	Right Side Plate	1	01205606043601P
2	Front Panel Assy	1	000003060543
20	Top Cover Assy	1	00009706033301
16	Rear Grill	1	016001060085
14	Handle Assy	1	000223000027
13	Valve Cover	1	200087060007
NS	Pipe Connector	3	06642038
4	Drainage Joint	1	06113009



# MUL30HP230V1R32AO



The component is only for reference; please refer to the actual product.

GREE ELECTRIC APPLIANCES INC. OF ZHUHAI  
GREECOMFORT.COM



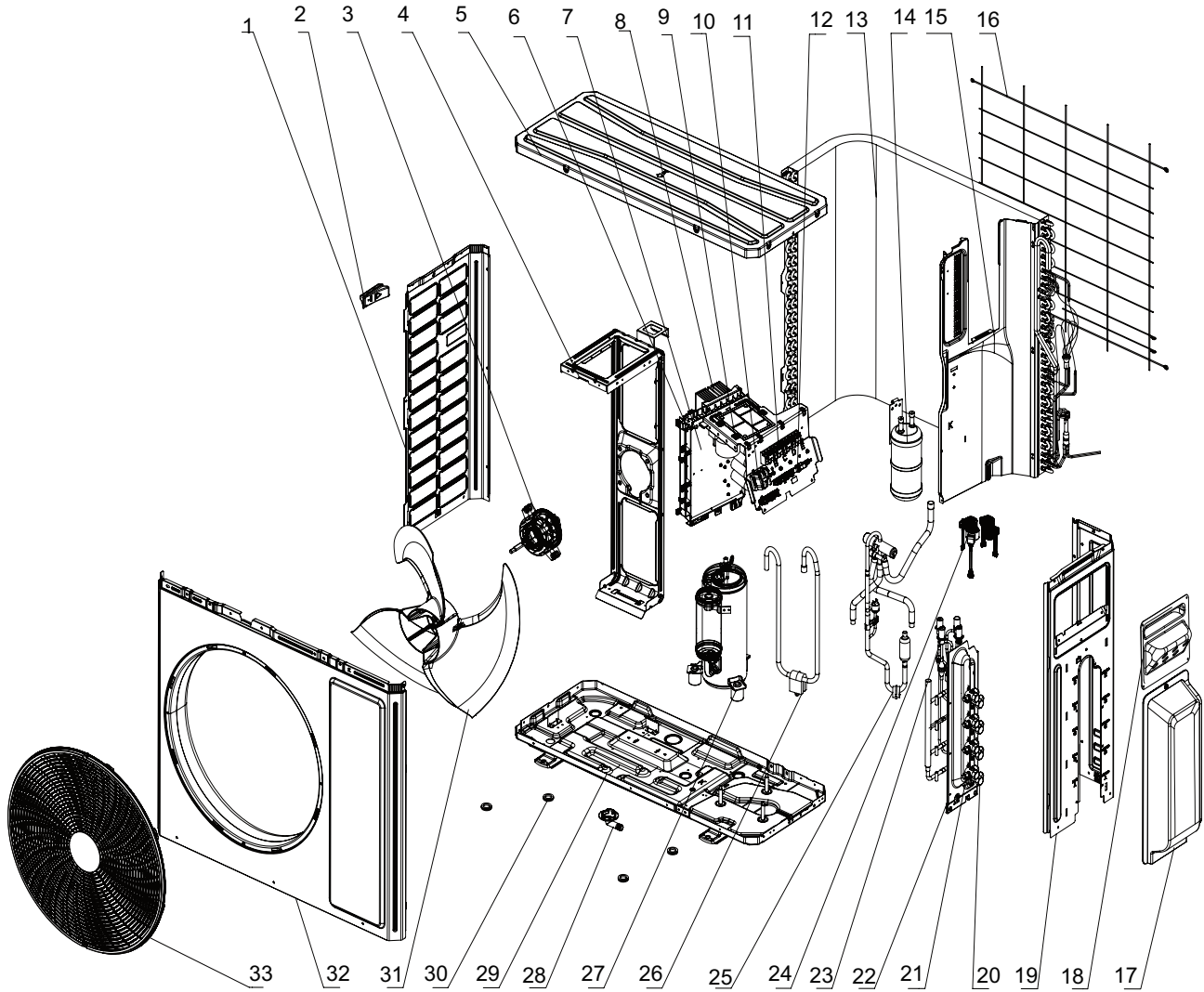
[Back to main page](#)

## MUL30HP230V1R32AO

No.	Part Description	Qty	Part No.
29	Chassis Sub-assy	1	01700006084602P
NS	Electrical Heater	1	765100049
27	Compressor and Fittings	1	009001060917
NS	Compressor Gasket	3	76710247
NS	Compressor Overload	1	00183031
NS	Compressor Overload	1	00183032
13	Condenser Assy	1	01100206206302
NS	Current Divider	1	035032060012
NS	Gas-liquid Separator Assy	1	07225017
NS	Electronic Expansion Valve assy	1	030174060252
NS	Electronic Expansion Valve	1	072009060033
NS	Strainer	1	0721304401
NS	Strainer	1	0721304401
NS	Electronic Expansion Valve	1	072009060033
NS	Electronic Expansion Valve	1	072009060033
NS	Strainer	1	0721304401
NS	Electronic Expansion Valve	1	072009060033
NS	Strainer	1	0721304401
NS	Cut off Valve Sub-Assy(1/4)	4	030057060367
NS	Cut off Valve Sub-Assy 3/8	4	030057060366
NS	Cut off Valve	1	071302391
24	Electric Expand Valve Fitting	1	07200206002301
NS	Electric Expand Valve Fitting	1	07200206002303
NS	Electric Expand Valve Fitting	1	07200206002304
NS	Electric Expand Valve Fitting	1	07200206002305
25	4-Way Valve Assy	1	030152061055
NS	4-Way Valve Assy	1	030152061053
NS	Joint	1	06652200001
NS	fusible plug	1	035222000004
NS	4 Way Valve Coil	1	43000400128
4	Motor Support Sub-Assy	1	017012060353
3	Brushless DC Motor	1	15010406011801
31	Axial Flow Fan	1	1043410000501
6	Electric Box Assy	1	100002082580
9	Filter Board	1	300020060104
8	Main Board	1	300027063949
10	Terminal Board	1	42200006001201
11	Terminal Board	4	422000060015
NS	Wire Clamp	1	200015060021
NS	Wire Clamp	1	200015060025
NS	Sensor Sub-assy	1	39000206003903
1	Left Side Plate	1	012055060419P
18	Handle	1	2623305301
NS	Front Panel Assy	1	000003060661
32	Cabinet	1	01202206002101P
33	Front Grill	1	016004060015
19	Right Side Plate	1	01205606056501P
16	Rear Grill	1	016001060101
5	Top Cover Sub-Assy	1	000051060248
NS	Top cover	1	012049060148P
NS	Handle Assy	1	000223000029
17	Valve Cover	1	200087060009
NS	Packaging Foam	1	110007060697
NS	Packaging Foam	1	110007060696
NS	Pipe Connector	4	06642038
28	Drainage Joint	1	26113009



# MUL36HP230V1R32AO



The component is only for reference; please refer to the actual product.

GREE ELECTRIC APPLIANCES INC. OF ZHUHAI  
GREECOMFORT.COM



[Back to main page](#)

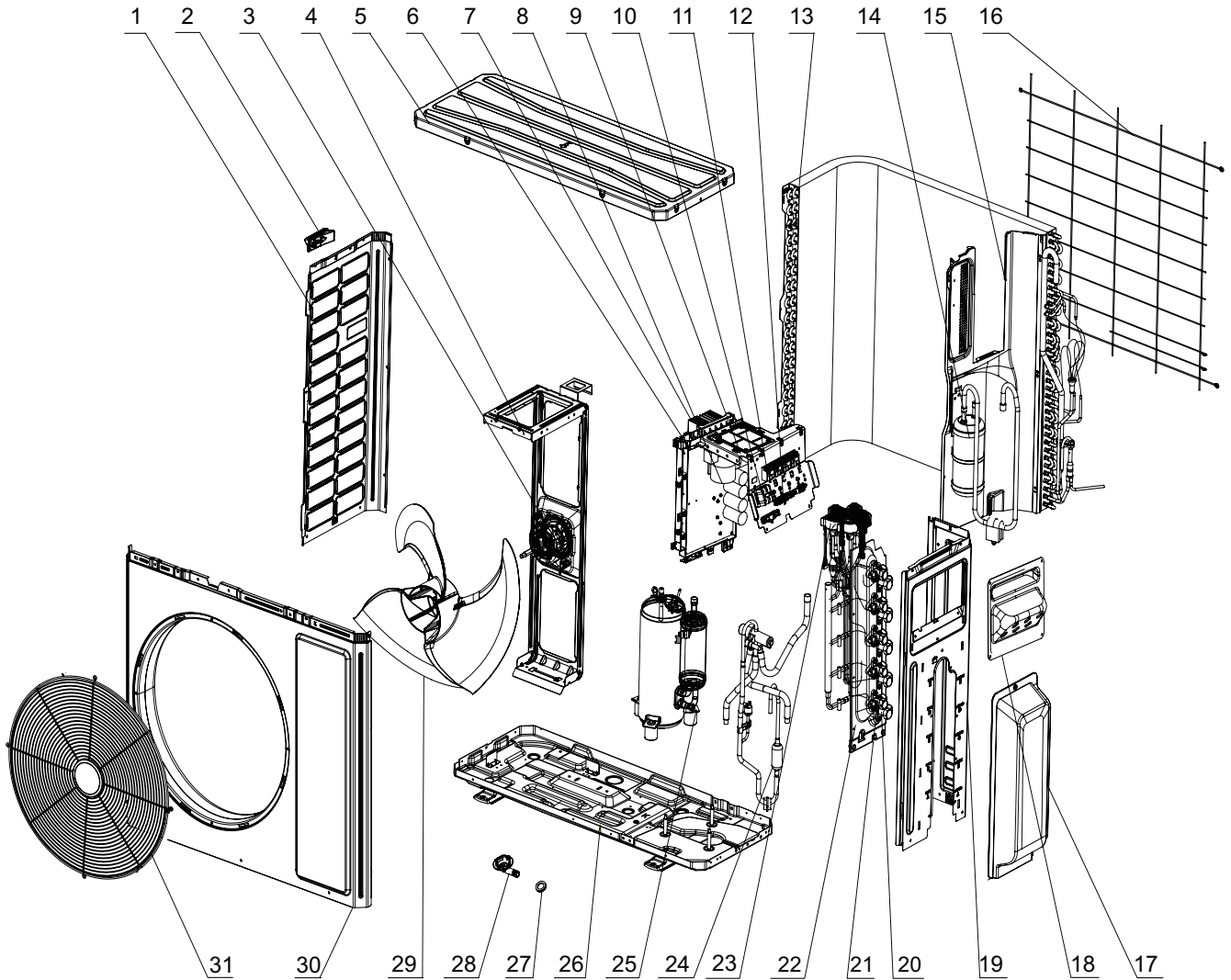


## MUL36HP230V1R32AO

No.	Part Description	Qty	Part No.
29	Chassis Sub-assy	1	01700006084603P
NS	Electrical Heater	1	765100049
27	Compressor and Fittings	1	009001061164
13	Condenser Assy	1	01100206222001
NS	Current Divider	1	035032060023
14	Gas-liquid Separator Assy	1	07225017
NS	Electronic Expansion Valve	1	030174060252
NS	Electronic Expansion Valve	1	072009060033
NS	Strainer	1	0721304401
NS	Strainer	1	0721304401
NS	Electronic Expansion Valve	1	072009060033
NS	Electronic Expansion Valve	1	072009060033
NS	Strainer	1	0721304401
NS	Electronic Expansion Valve	1	072009060033
NS	Strainer	1	0721304401
NS	Cut off Valve Sub-Assy(1/4)	4	030057060367
NS	Cut off Valve Sub-Assy 3/8	4	030057060366
NS	Cut off Valve	1	071302391
24	Electric Expand Valve Fitting	1	07200206002301
NS	Electric Expand Valve Fitting	1	07200206002303
NS	Electric Expand Valve Fitting	1	07200206002304
NS	Electric Expand Valve Fitting	1	07200206002305
25	4-Way Valve Assy	1	030152061626
NS	Joint	1	06652200001
NS	fusible plug	1	035222000004
NS	4 Way Valve Coil	1	43000400128
4	Motor Support Sub-Assy	1	017012060353
3	Brushless DC Motor	1	15010406011801
31	Axial Flow Fan	1	1043410000501
NS	Soundproofing Cotton	1	7501580201
NS	Electric Box Assy	1	100002082581
9	Filter Board	1	300020060104
8	Main Board	1	300027063950
10	Terminal Board	1	42200006001201
11	Terminal Board	4	422000060015
12	Wire Clamp	1	200015060021
NS	Wire Clamp	1	200015060025
NS	Sensor Sub-assy	1	39000206003903
1	Left Side Plate	1	012055060419P
18	Handle	1	2623305301
NS	Front Panel Assy	1	000003060661
32	Cabinet	1	01202206002101P
33	Front Grill	1	016004060015
19	Right Side Plate	1	01205606056501P
16	Rear Grill	1	016001060101
5	Top Cover Sub-Assy	1	000051060248
NS	Top cover	1	012049060148P
NS	Handle Assy	1	000223000029
17	Valve Cover	1	200087060009
NS	Packaging Foam	1	110007060697
NS	Packaging Foam	1	110007060696
NS	Pipe Connector	4	06642038
28	Drainage Joint	1	26113009



# MUL42HP230V1R32AO



The component is only for reference; please refer to the actual product.



## MUL42HP230V1R32AO

No.	Part Description	Qty	Part No.
26	Chassis Sub-assy	1	01700006084603P
NS	Electrical Heater	1	765100049
25	Compressor and Fittings	1	009001061164
13	Condenser Assy	1	01100206222001
NS	Current Divider	1	035032060023
14	Gas-liquid Separator Assy	1	07225017
20	Cut off Valve Sub-Assy 3/8	5	030057060366
NS	Cut off Valve	1	071302391
21	Cut off Valve Sub-Assy(1/4)	5	030057060367
NS	Electronic Expansion Valve	1	072009060033
NS	Strainer	1	0721304401
NS	Strainer	1	0721304401
NS	Electronic Expansion Valve	1	072009060033
NS	Strainer	1	0721304401
NS	Electronic Expansion Valve	1	072009060033
NS	Electronic Expansion Valve	1	072009060033
NS	Strainer	1	0721304401
NS	Electronic Expansion Valve	1	072009060033
NS	Strainer	1	0721304401
NS	Electric Expand Valve Fitting	1	07200206002301
NS	Electric Expand Valve Fitting	1	07200206002303
NS	Electric Expand Valve Fitting	1	07200206002304
NS	Electric Expand Valve Fitting	1	07200206002305
NS	Electric Expand Valve Fitting	1	07200206002335
24.0	4-Way Valve Assy	1	030152061626
NS	Joint	1	06652200001
NS	fusible plug	1	035222000004
NS	4 Way Valve Coil	1	43000400128
4.0	Motor Support Sub-Assy	1	017012060353
3.0	Brushless DC Motor	1	15010406011801
29	Axial Flow Fan	1	1043410000501
NS	Soundproofing Cotton	1	7501580201
NS	Electric Box Assy	1	100002082582
9.0	Filter Board	1	300020060104
8.0	Main Board	1	300027063948
10.0	Terminal Board	1	42200006001201
11.0	Terminal Board	5	422000060015
12.0	Wire Clamp	1	200015060021
NS	Wire Clamp	2	200015060025
NS	Sensor Sub-assy	1	39000206003904
1	Left Side Plate	1	012055060419P
18	Handle	1	2623305301
NS	Front Panel Assy	1	000003060661
30.0	Cabinet	1	01202206002101P
31.0	Front Grill	1	016004060015
19	Right Side Plate	1	01205606056501P
16	Rear Grill	1	016001060101
5	Top Cover Sub-Assy	1	000051060248
NS	Top cover	1	012049060148P
NS	Handle Assy	1	000223000029
17	Valve Cover	1	200087060009
NS	Packaging Foam	1	110007060697
NS	Packaging Foam	1	110007060696
NS	Pipe Connector	5	06642038
28	Drainage Joint	1	26113009

