





SUBMITTAL DATA

LIV36HP230V1R32AH / LIV36HP230V1R32AO
36000 BTU/H Wall Mounted Heat Pump System

| | | |
|------------------|--------------|------|
| Job Name | Location | Date |
| Purchaser | Engineer | |
| Submitted to | For | |
| Unit Designation | Schedule No. | |

| | | | |
|---|---|--|---|
|  |  |  |  |
| YBE1FB1F | LIV36HP230V1R32AH | LIV36HP230V1R32AO | XE71 (Optional) |

GENERAL FEATURES

- AHRI Certificate: [214779348](#)
- New R32 Refrigerant
- High Efficiency DC Inverter Technology
- Compact and Quiet Design
- Wireless Remote with LCD Display
- Wired Controller Options
- Composite Drain Pan
- Wi-Fi Included
- Low Ambient Cooling down to 0°F (Range 0°F to 118°F)
- Low Ambient Heating down to -13°F (Range -13°F to 75°F)
- Coil (Indoor and Outdoor) Copper Tube / Aluminum Fin
- Blue Colored Fin - 500 Hrs Salt Spray Tested

SPECIFICATIONS, FEATURES & FUNCTION SUMMARY

| SPECIFICATIONS | | LIV36HP230V1R32AH / LIV36HP230V1R32AO | | FEATURES & FUNCTIONS SUMMARY | | LIV36HP230V1R32AH / LIV36HP230V1R32AO | |
|---|-------------------|---|-------------------------------|------------------------------|--|---------------------------------------|--|
| System Type | | HEAT PUMP | | | | | |
| SYSTEM PERFORMANCE | | | | | | | |
| Cooling | Min - Max | Btu/h | 7,850 - 37,500 | | | | |
| | Capacity @95°F | Btu/h | 33,600 | | | | |
| Heating | Min - Max | Btu/h | 10,000 - 37,500 | | | | |
| | Capacity @47°F | Btu/h | 34,000 | | | | |
| | Capacity @17°F | Btu/h | | | | | |
| | Capacity Max @5°F | Btu/h | | | | | |
| SEER2 | | 21.0 | | | | | |
| EER2 | | 10.6 | | | | | |
| HSPF2 | | 8.5 | | | | | |
| COP @5°F | | | | | | | |
| COP @47°F | | 3.1 | | | | | |
| Cooling Temperature Range | | °F | 0 - 118 | | | | |
| Heating Temperature Range | | °F | -13 - 75 | | | | |
| Refrigerant Type | | R32 | | | | | |
| INDOOR UNIT | | | | LIV36HP230V1R32AH | | | |
| Air flow (Min - Max) | | CFM | 441 - 794 | | | | |
| Sound Pressure Level (Min - Max) | | dB(A) | 36 - 52 | | | | |
| Dehumidification | | pt/hr | 7.40 | | | | |
| External Dimensions (W x H x D) | | in | 42-7/16 x 13-7/64 x 9-11/16 | | | | |
| Package Dimension (W x H x D) | | in | 44-39/64 x 16-19/64 x 13-7/64 | | | | |
| Net Weight | | lbs | 34.2 | | | | |
| Gross Weight | | lbs | 40.8 | | | | |
| OUTDOOR UNIT | | | | LIV36HP230V1R32AO | | | |
| Sound Pressure Level | | dB(A) | 62 | | | | |
| External Dimensions (W x H x D) | | in | 39-3/8 x 29-3/8 x 15-13/16 | | | | |
| Package Dimension (W x H x D) | | in | 42-33/64 x 31-57/64 x 19-1/64 | | | | |
| Net Weight | | lbs | 122.4 | | | | |
| Gross Weight | | lbs | 133.4 | | | | |
| REFRIGERANT PIPING | | | | | | | |
| Refrigerant Charge | | oz | 56.4 | | | | |
| Additional Charge | | oz/ft | 0.4 | | | | |
| Line Set Size (Liquid - Gas) - Flared Connections | | in | 1/4 - 5/8 | | | | |
| Pre-Charge Length | | ft | 25 | | | | |
| Pipe Length (Min - Max) | | ft | 10 - 131 | | | | |
| Max. Pipe Elevation | | ft | 82 | | | | |
| ELECTRICAL | | | | | | | |
| Power Supply | | 208-230V / 1Ph / 60Hz (Powered by the Outdoor Unit) | | | | | |
| Voltage Range (Min - Max) | | VAC | 187 - 253 | | | | |
| Rated Current - Cooling | | A | 20 | | | | |
| Rated Current - Heating | | A | 20 | | | | |
| MCA | | A | 23 | | | | |
| MOCP | | A | 35 | | | | |
| Suggested Breaker Size | | A | 25 | | | | |
| Main Power Wire Size | | AWG | Per Local Code | | | | |
| Interconnecting Wire Size | | AWG | 14 / 4 | | | | |
| SYSTEM FEATURES | | | | | | | |
| Inverter Type | | G10 | | | | | |
| Ultra Low Frequency Torque Control | | Yes | | | | | |
| Power Factor Correction | | Yes | | | | | |
| Compressor Type | | High Efficiency Rotary | | | | | |
| Basepan With Electric Heater | | Yes | | | | | |
| Compressor With Electric Heater | | Yes | | | | | |
| Outdoor Fin Coating (Color:Blue) | | Acrylic-Resin/Anti-Corrosive | | | | | |
| Intelligent Defrosting | | Yes | | | | | |
| Force Defrosting | | Yes | | | | | |
| Intelligent Preheating | | Yes | | | | | |
| Low Voltage Startup | | Yes | | | | | |
| Memory/Power Failure Recovery | | Yes | | | | | |
| Self Diagnosis | | Yes | | | | | |
| Wired Controller Interface (XE71) | | Yes | | | | | |
| WiFi Included | | Yes | | | | | |
| Indoor Fan Type | | Crossflow | | | | | |
| Multi Fan Speeds | | 4 Speeds | | | | | |
| Indoor Unit Display | | Yes | | | | | |
| Auxiliary Electrical Heater | | No | | | | | |
| Ventilation (Outdoor Air) | | No | | | | | |
| REMOTE CONTROLLER FUNCTIONS | | | | | | | |
| Auto Mode | | Yes | | | | | |
| Auto Fan | | Yes | | | | | |
| Manual Horizontal Swing | | Yes | | | | | |
| Auto Swing (Vertical Auto Swing) | | Yes | | | | | |
| Clock on Remote Controller | | Yes | | | | | |
| Dry Mode | | Yes | | | | | |
| Dry Anti-Mildew (X-Fan) Mode | | Yes | | | | | |
| Energy Saving Mode | | Yes | | | | | |
| Dirty Filter Alert | | No | | | | | |
| I Feel Function | | Yes | | | | | |
| Lock on Remote Controller | | Yes | | | | | |
| Quiet Mode | | No | | | | | |
| Room Temperature Display | | Yes | | | | | |
| Sleep Mode | | Yes | | | | | |
| Timer Mode | | Yes | | | | | |
| Turbo Mode | | Yes | | | | | |
| Display On/Off Control | | Yes | | | | | |
| Freeze Guard Mode (46°F) | | Yes | | | | | |
| Display On/Off Control | | Yes | | | | | |

DIMENSIONS

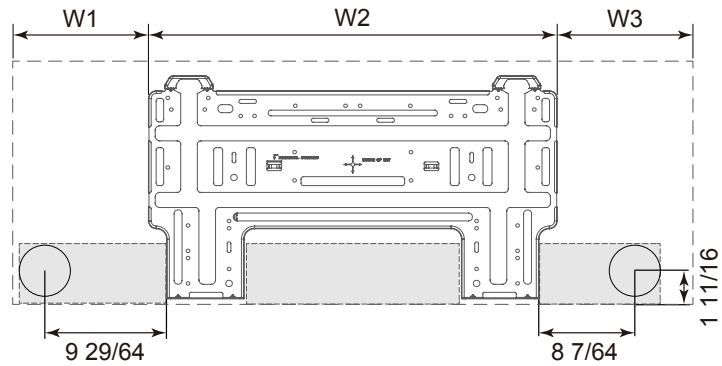
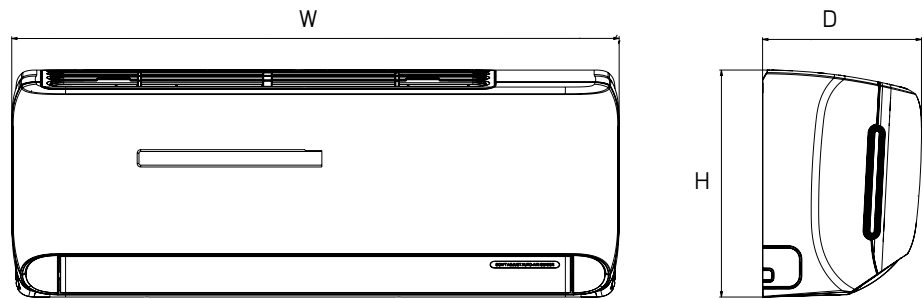
INDOOR UNIT

Unit: inch

LIV36HP230V1R32AH

DIMENSIONS

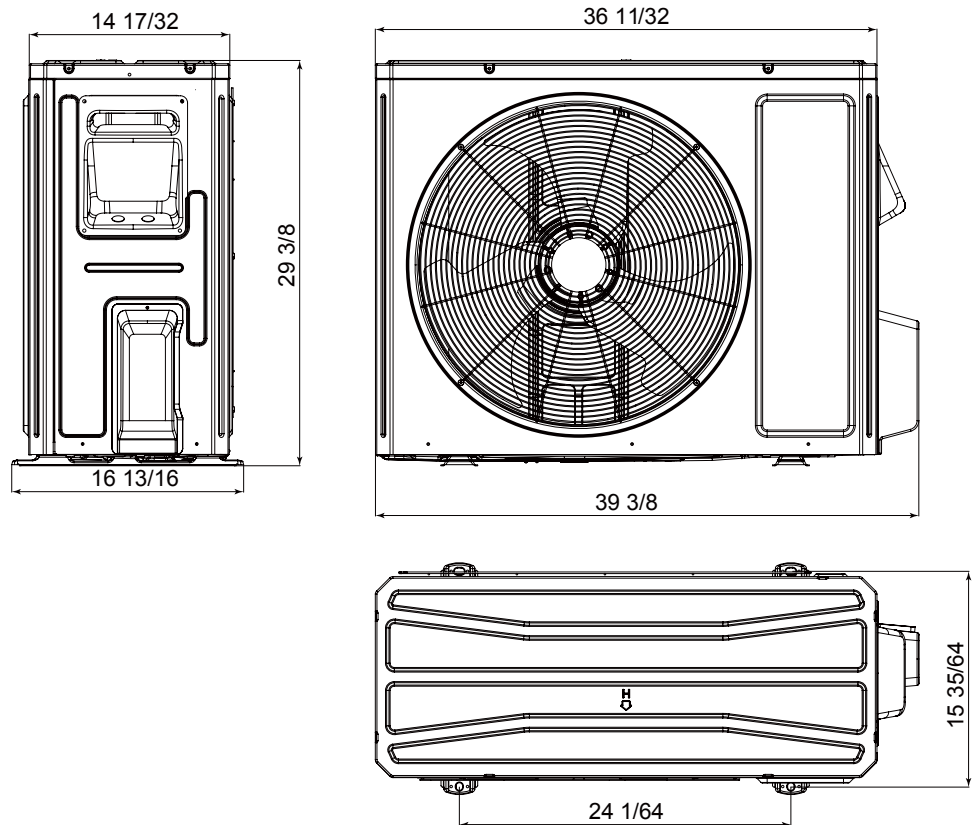
| | |
|----|---------|
| W | 42 7/16 |
| H | 13 7/64 |
| D | 9 11/16 |
| W1 | 6 15/64 |
| W2 | 22 7/64 |
| W3 | 10 5/32 |



OUTDOOR UNIT

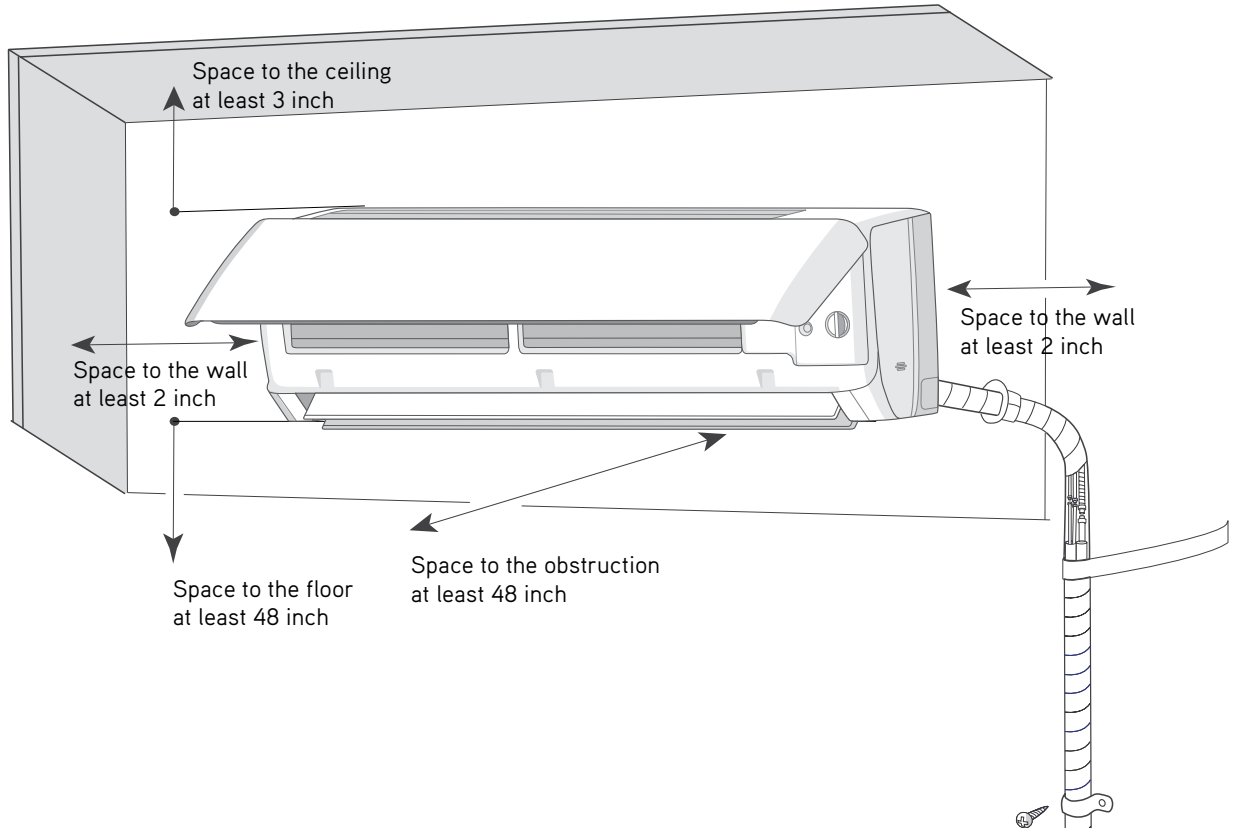
Unit: inch

LIV36HP230V1R32AO

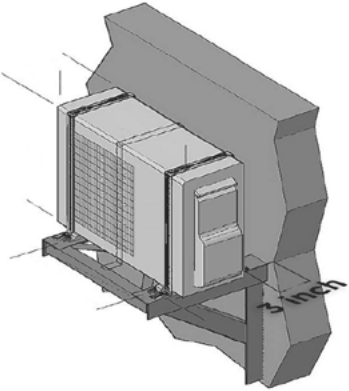


CLEARANCES

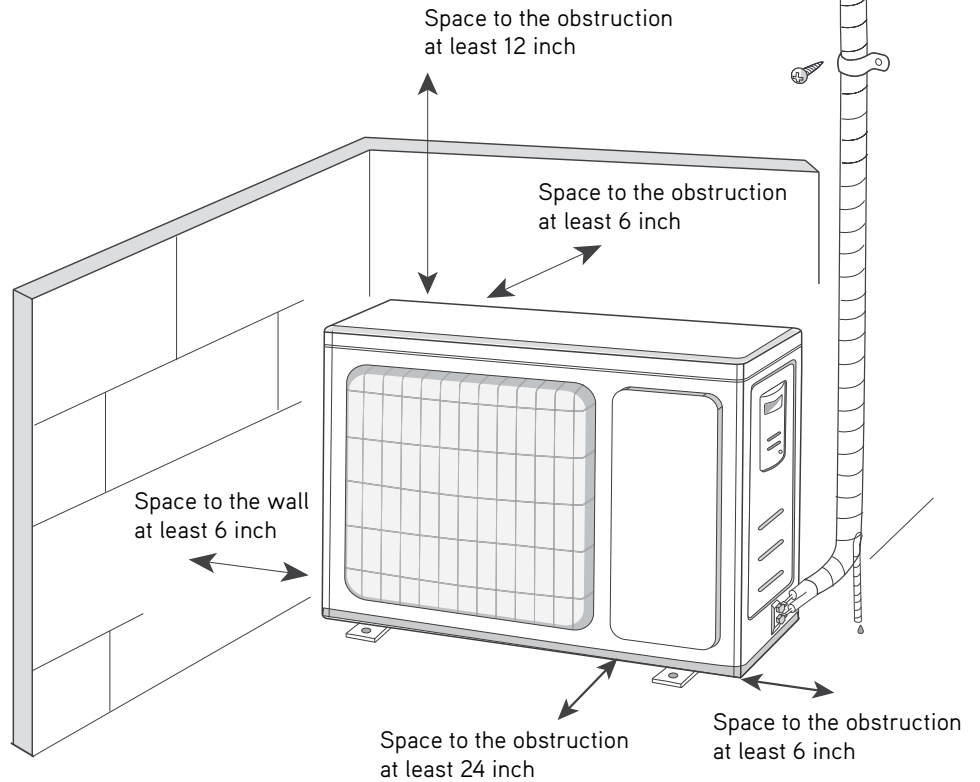
INDOOR UNIT Minimum clearance



OUTDOOR UNIT Minimum clearance



NOTE:
If bottom of the unit is free of airflow obstructions similar to the mounting bracket figure, the clearance to the wall on the back can be reduced to 3 inches.



Specifications are subject to change without notice. Manufacturer reserves the right to discontinue or modify specifications or designs without notice or without incurring obligations. All Rights reserved.