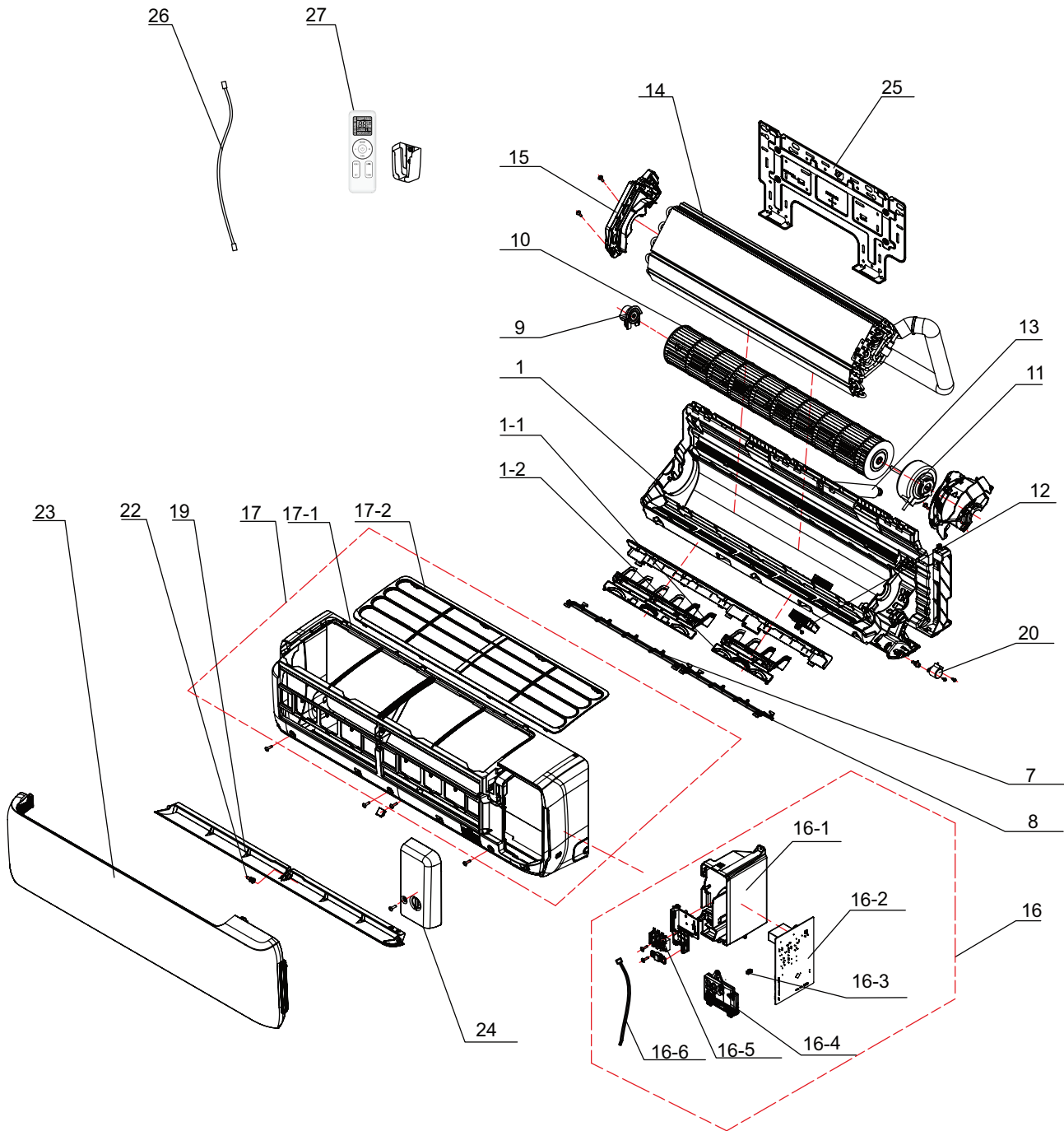


LIV36HP230V1R32AH



The component picture is only for reference; please refer to the actual product.

LIV36HP230V1R32AH

No.	Part Description	Qty	Part No.
10	Cross Flow Fan	1	'103001060035
20	Stepping Motor	1	'1521240210
11	Brushless DC Motor	1	15010406011601
1	Rear Case Sub-Assy	1	'000377060088
NS	Rear Case	1	20000106008603
1-1	Air Louver	3	'200007060102
9	Axile Bush Sub-assy	1	'1054204701
7	Rear Grill Sub-assy	3	'209168000018
NS	Cable Cross Plate	1	'02122023P
NS	Drainage Hose	1	'0523001405
14	Evaporator Assy	1	'011001062411
15	Evaporator Support(D7)	1	'200025060025
NS	Gas Sensor	1	34002406001601
16	Electric Box Assy	1	'100002082099
16-3	Jumper	1	'4202021928
16-4	Display Board	1	'300001061316
16-1	Electric Box	1	'200013060122
16-5	Terminal Board	1	'422000000022
16-6	Temperature Sensor	1	'3900031302
16-2	Main Board	1	'300002064395
17	Front Case Sub-assy	1	'209007060129
17-4	Filter Sub-Assy	1	'111001060337
17-1	Front Case	1	'200002060083
19	Guide Louver	1	'200004060193
22	Axile Bush	2	'10542036
24	Electric Box Cover	1	'200082060089
NS	Front Panel Assy	1	'000003060833
23	Front Panel	1	'200003060302T
25	Wall Mounting Frame	1	'012043060024
27	Remote Controller	1	'305001060107