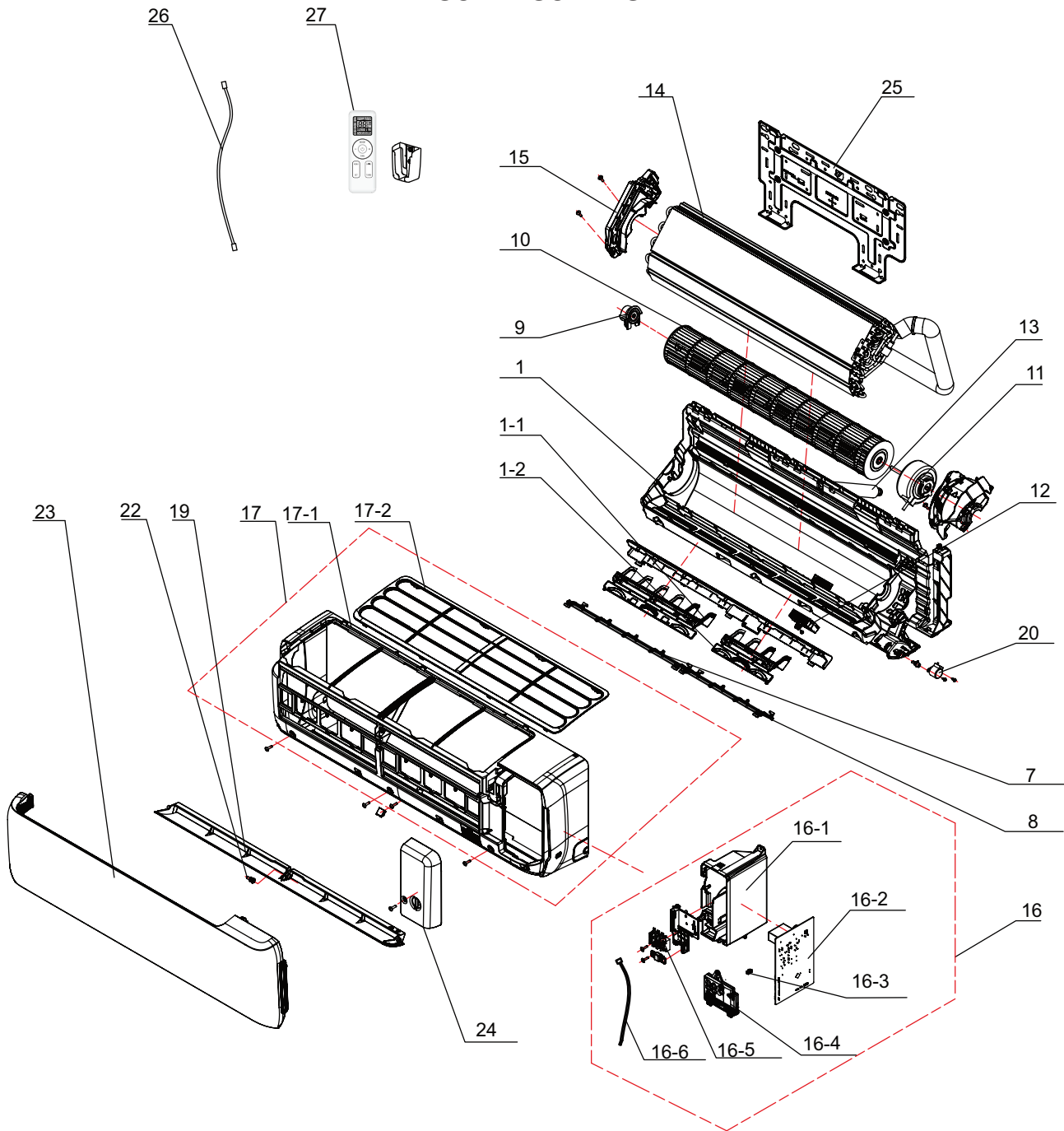


LIV30HP230V1R32AH



The component picture is only for reference; please refer to the actual product.

LIV30HP230V1R32AH

| No. | Part Description | Qty | Part No. |
|------|------------------------|-----|----------------|
| 1 | Rear Case Sub-Assy | 1 | 00037706007801 |
| 9 | Axile Bush Sub-assy | 1 | '1054204701 |
| 6 | Stepping Motor | 1 | '1521240210 |
| 2 | Air Louver (Left) | 2 | '200007060101 |
| 3 | Air Louver (Right) | 1 | '200007060104 |
| 5 | Air Louver (Auto) | 1 | '200007060103 |
| 4 | Swing Lever | 1 | '200035060042 |
| 20 | Stepping Motor | 1 | '1521210704 |
| 11 | Brushless DC Motor | 1 | 15010406011601 |
| 10 | Cross Flow Fan | 1 | '103001060035 |
| NS | Cable Cross Plate | 1 | '02122023P |
| 7 | Rear Grill Sub-assy | 3 | '209168000018 |
| 13 | Drainage Hose | 1 | '0523001405 |
| 14 | Evaporator Assy | 1 | 01100106241103 |
| 15 | Evaporator Support(D7) | 1 | 200025060025 |
| 29 | Gas Sensor | 1 | 34002406001601 |
| 16 | Electric Box Assy | 1 | '100002082822 |
| 16-3 | Jumper | 1 | '4202021928 |
| 16-1 | Electric Box | 1 | '200013060122 |
| 16-2 | Main Board | 1 | '300002064064 |
| 16-5 | Terminal Board | 1 | '422000000022 |
| 16-6 | Temperature Sensor | 1 | '3900031302 |
| 17 | Front Case Sub-assy | 1 | '209007060129 |
| 17-4 | Filter Sub-Assy | 1 | '111001060337 |
| 17-1 | Front Case | 1 | '200002060083 |
| 19 | Guide Louver | 1 | '200004060193 |
| 22 | Axile Bush | 2 | '10542036 |
| 24 | Electric Box Cover | 1 | '200082060089 |
| NS | Front Panel Assy | 1 | '000003060833 |
| 23 | Front Panel | 1 | '200003060302T |
| 25 | Wall Mounting Frame | 1 | '012043060024 |
| 27 | Remote Controller | 1 | '305001060236 |