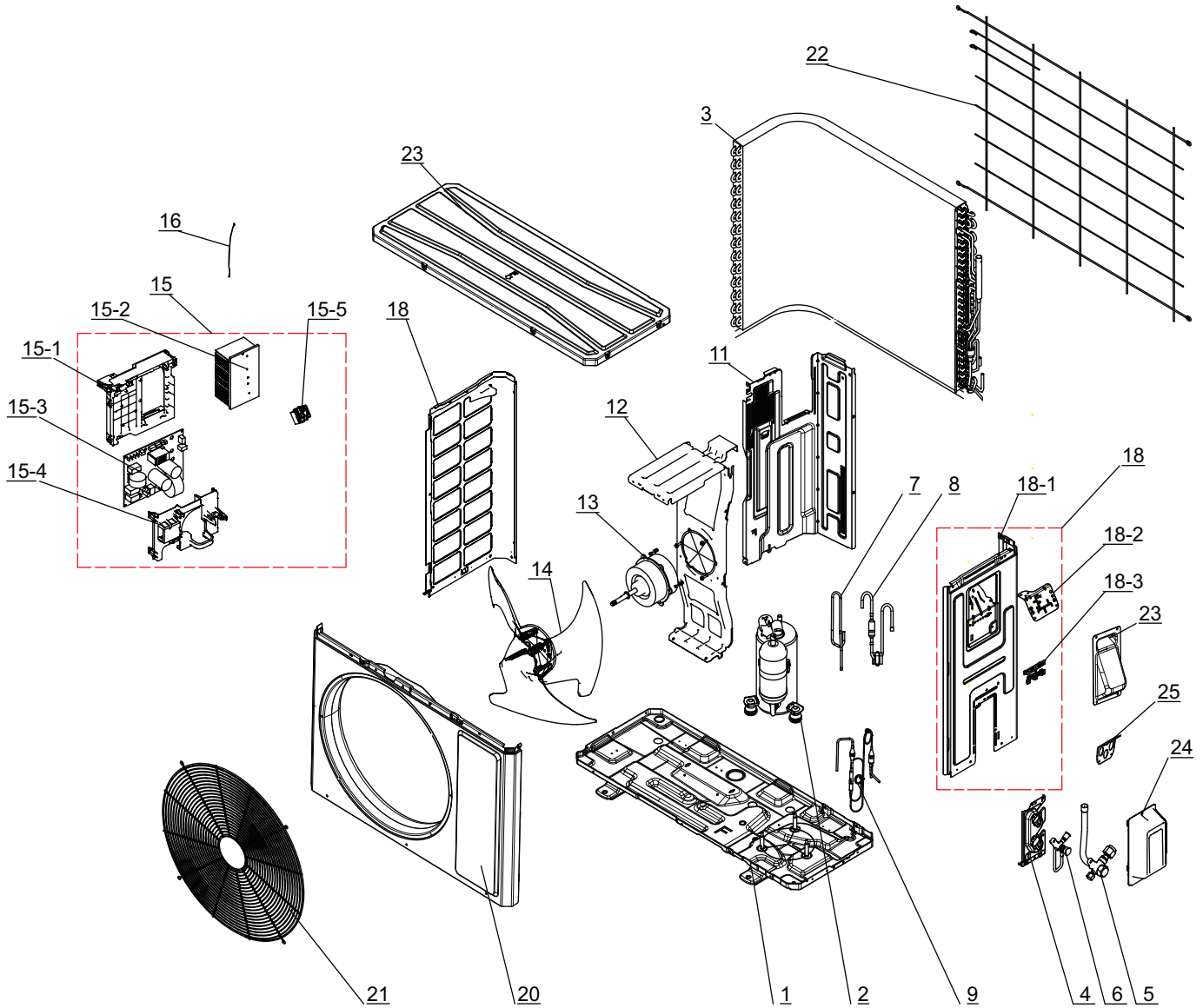


LIV24HP230V1R32AO



The component picture is only for reference; please refer to the actual product.

LIV24HP230V1R32AO

No.	Part Description	Qty	Part No.
1	Chassis Sub-assy	1	01700006076102P
NS	Electrical Heater	1	'765100049
2	Compressor and Fittings	1	'009001060617
NS	Compressor Gasket	3	'009033060003
3	Condenser Assy	1	001100206169803
NS	Strainer	1	'0721304401
6	Cut-off valve 1/4(N)	1	'070001060022
4	Valve Support	1	'012044060022P
5	Cut-off valve 1/2(N)	1	'070001060024
7	4-Way Valve Assy	1	'030152061576
NS	Silencer	1	'07243027
8	4 Way Valve Coil	1	07201006002409
11	Clapboard	1	'012051061303
12	Motor Support	1	'012048060145
13	Fan Motor	1	15010106051105
14	Axial Flow Fan	1	'10335262
17	Left Side Plate	1	'012055060393P
15	Electric Box Assy	1	'100002081906
15-1	Electric Box	1	20001306008501
15-3	Main Board	1	'300027063873
NS	Capacitor CBB61	1	'3301074723
15-4	Electric Box Cover	1	20008206006801
15-5	Terminal Board	1	42200006007501
16	Temperature Sensor	1	39000106006901
18	Right Side Plate Assy	1	'000081060399
18-1	Right Side Plate	1	01205606038704P
18-3	Wire Clamp	1	'200015060023
18-2	Earthing Plate Sub-Assy	1	01724600000204
21	Rear Grill	1	'016001060085
NS	Front Panel Assy	1	00000306054301
19	Front Panel	1	01207306161101
22	Top Cover Assy	1	0009706033301
NS	Cable Cross Plate	1	01220906004101P
24	Valve Cover	1	20008706000503
NS	Drainage Joint	1	'26113009