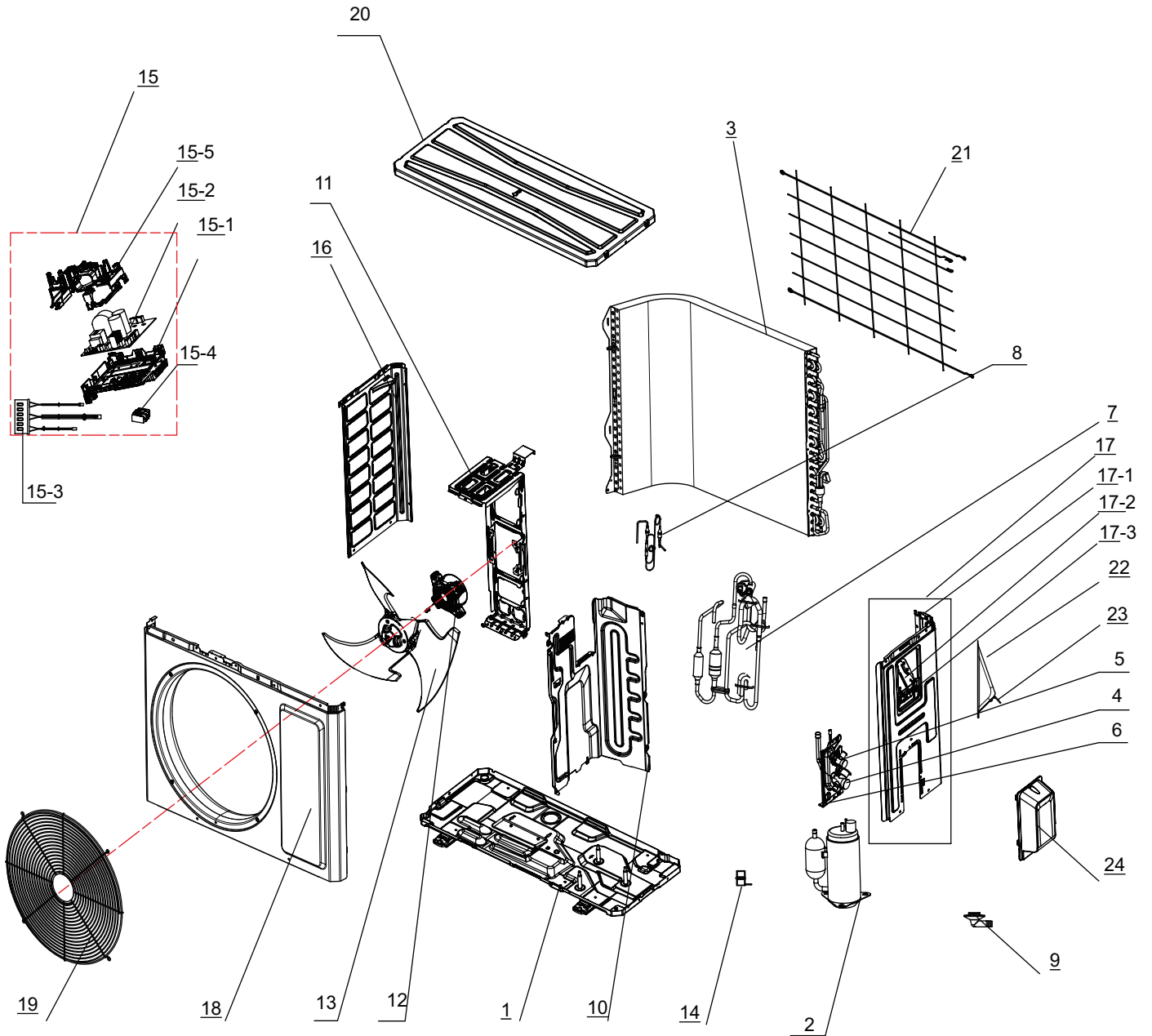


LIV18HP230V1R32AO



The component picture is only for reference; please refer to the actual product.

No.	Part Description	Qty	Part No.
1	Chassis Sub-assy	1	'017000060759P
NS	(Chassis)	1	'7651000423
2	Compressor and afittings	1	'009001061090
NS	Compressor Gasket	3	'009012060035
3	Condenser Assy	1	01100206202601
NS	One Way Valve	1	'0713010302
NS	Strainer	1	'035021060002
7	4-Way Valve Assy	1	'030152060719
5	Cut-off valve 1/4(N)	1	'070001060022
6	Valve Support	1	'012044060022P
4	Cut-off valve 1/2(N)	1	'070001060024
11	Motor Support	1	01204806014001
12	Brushless DC Motor	1	15010406009506
13	Axial Flow Fan	1	'103002060015
14	4 Way Valve Coil	1	07201006002409
15	Electric Box Assy	1	'100002082155
15-1	Electric Box	1	20001306010103
15-2	Main Board	1	'300027063803
15-3	Temperature Sensor	1	39000106006905
15-4	Terminal Board	1	42200006007501
15-5	Electric Box Cover	1	20006606003501
16	Left Side Plate	1	'012055060395P
17-1	Right Side Plate	1	01205606036706P
17-2	Earthing Plate Sub-Assy	1	'017246000007
17-3	Wire Clamp	1	'200015060025
NS	Front Panel Assy	1	'000003060803
18	Cabinet	1	01202206001002p
19	Front Grill	1	'016004060011
20	Top Cover Assy	1	'000097060355
21	Rear Grill	1	'016001060082
22	Cable Cross Plate	1	01220906002802P
23	Cable Cross Plate	1	'012209060027P
24	Valve Cover	1	20008706000403
9	Drainage Joint	1	'26113009