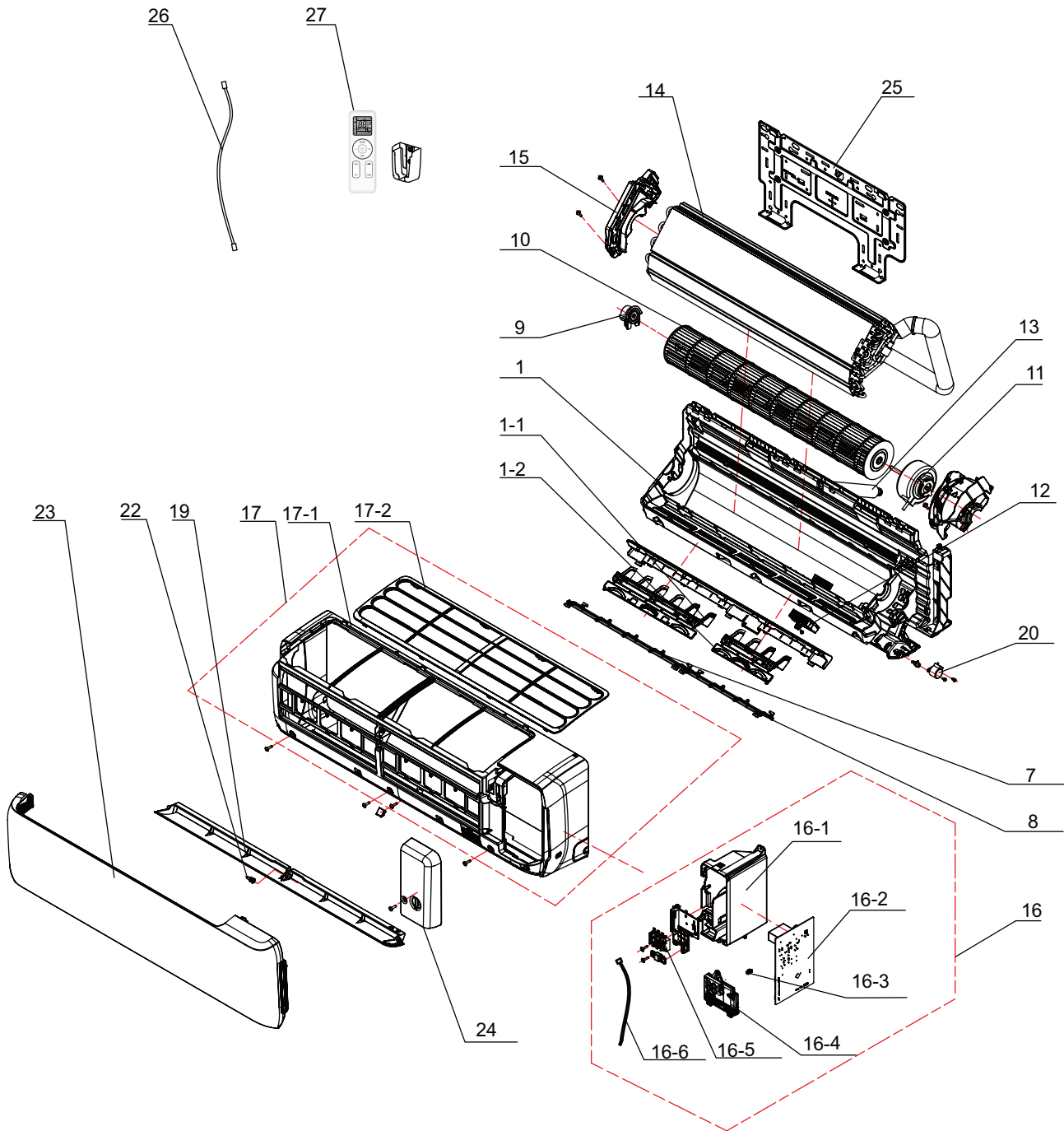


LIV18HP230V1R32AH



The component picture is only for reference; please refer to the actual product.

No.	Part Description	Qty	Part No.
1	Rear Case Sub-Assy	1	00037706007301
NS	Rear Case	1	20000106009101
1-1	Air Louver (Auto)	1	'200007060115
1-2	Air Louver (Auto)	1	'200007060114
NS	Air Louver (Auto)	1	'200007060116
NS	Swing Lever	1	'200035060043
20	Stepping Motor	1	'1521210704
NS	Stepping Motor	1	'1521240212
9	Axile Bush Sub-Assy	1	'1054204701
10	Cross Flow Fan	1	'103001060034
11	Brushless DC Motor	1	15010406008802
7	Rear Grill Sub-Assy 2	1	'209168000011
NS	Cable Cross Plate	1	'02122023P
20	Drainage Hose	1	'05230014
14	Evaporator Assy	1	'011001062414
NS	Gas Sensor	1	34002406001601
16	Electric Box Assy	1	'100002082154
16-1	Electric Box	1	'200013060122
16-2	Main Board	1	'300002064064
16-3	Jumper	1	'4202021920
16-5	Terminal Board	1	'422000000022
16-6	Temperature Sensor	1	'3900031302
17	Front Case Assy	1	'000002060326
17-1	Front Case	1	'200002060086
17-4	Filter Sub-Assy	1	'111001060338
19	Guide Louver	1	'200004060196
22	Axile Bush	1	'10542036
24	Electric Box Cover	1	'200082060089
23	Front Panel	1	'200003060305T
25	Wall Mounting Frame	1	'012043060024
27	Remote Controller	1	'305001060236