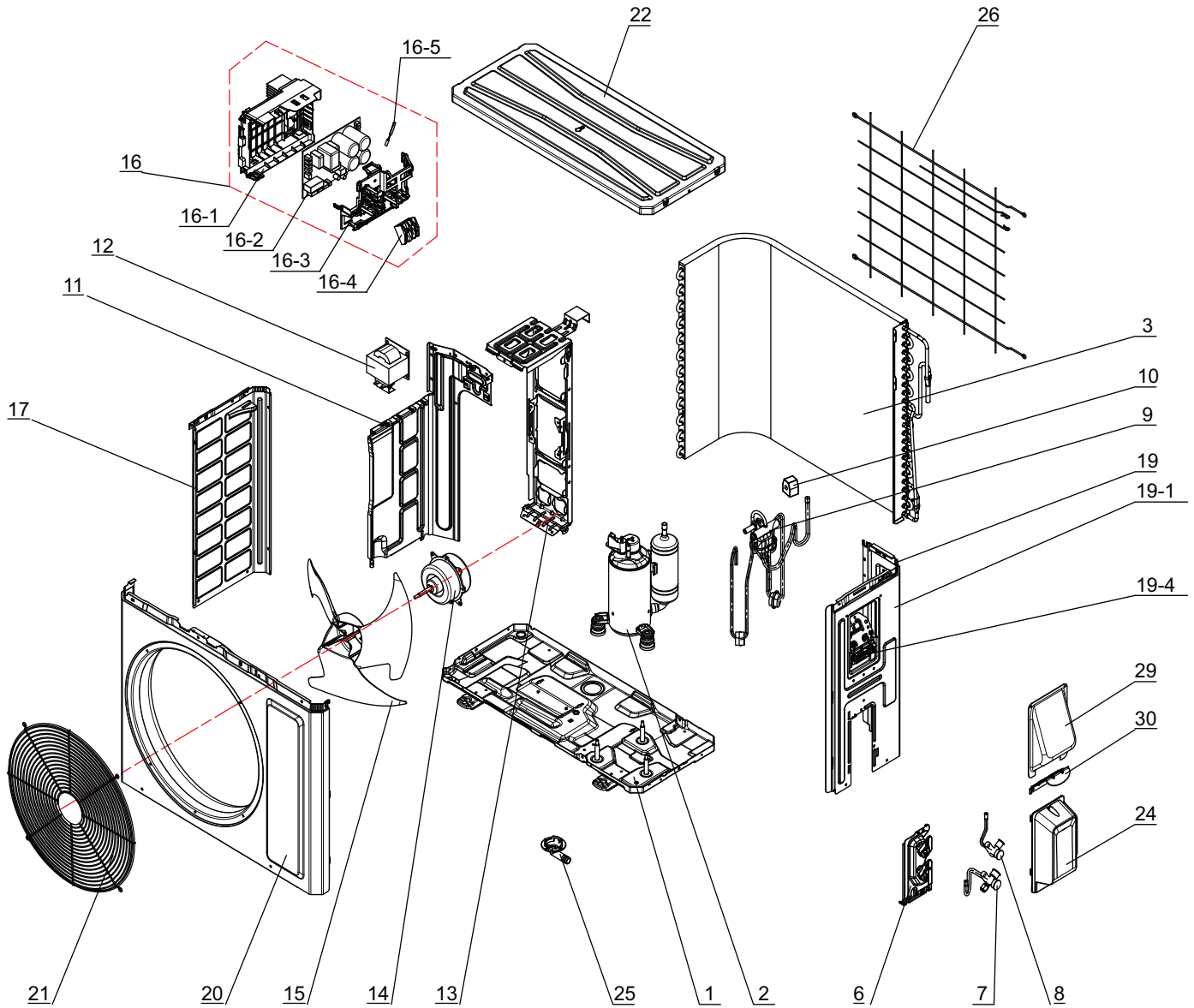


LIV12HP230V1R32AO



The component picture is only for reference; please refer to the actual product.



LIV12HP230V1R32AO

No.	Part Description	Qty	Part No.
1	Chassis Sub-assy	1	'017000060724P
2	Compressor and Fittings	1	'009001060648
3	Condenser Assy	1	'011002062531
6	Valve Support	1	'012044060022P
7	Cut-off valve 3/8(N)	1	'070001060029
8	Cut-off valve 1/4(N)	1	'070001060022
9	4-Way Valve Assy	1	'030152061280
11	Clapboard	1	'012051060895
13	Motor Support	1	'012048060149
15	Axial Flow Fan	1	'10333428
16	Electric Box Assy	1	'100002082381
16-1	Electric Box	1	'200013060073
16-2	Main Board	1	'300027063752
16-3	Electric Box Cover	1	'20008206005801
16-4	Terminal Board	1	'42200006007501
16-5	Temperature Sensor	1	'390001060069
17	Left Side Plate	1	'012055060397P
19-1	Right Side Plate	1	'01205606038406P
19-4	Wire Clamp	1	'200015060025
20	Cabinet	1	'01202206001202P
21	Front Grill	1	'016004060016
22	Top Cover Assy	1	'000097060345
24	Valve Cover	1	'20008706000403
25	Drainage Joint	1	'26113009
26	Rear Grill	1	'016001060095
29	Cable Cross Plate	1	'01220906002802P
30	Cable Cross Plate	1	'012209060027P