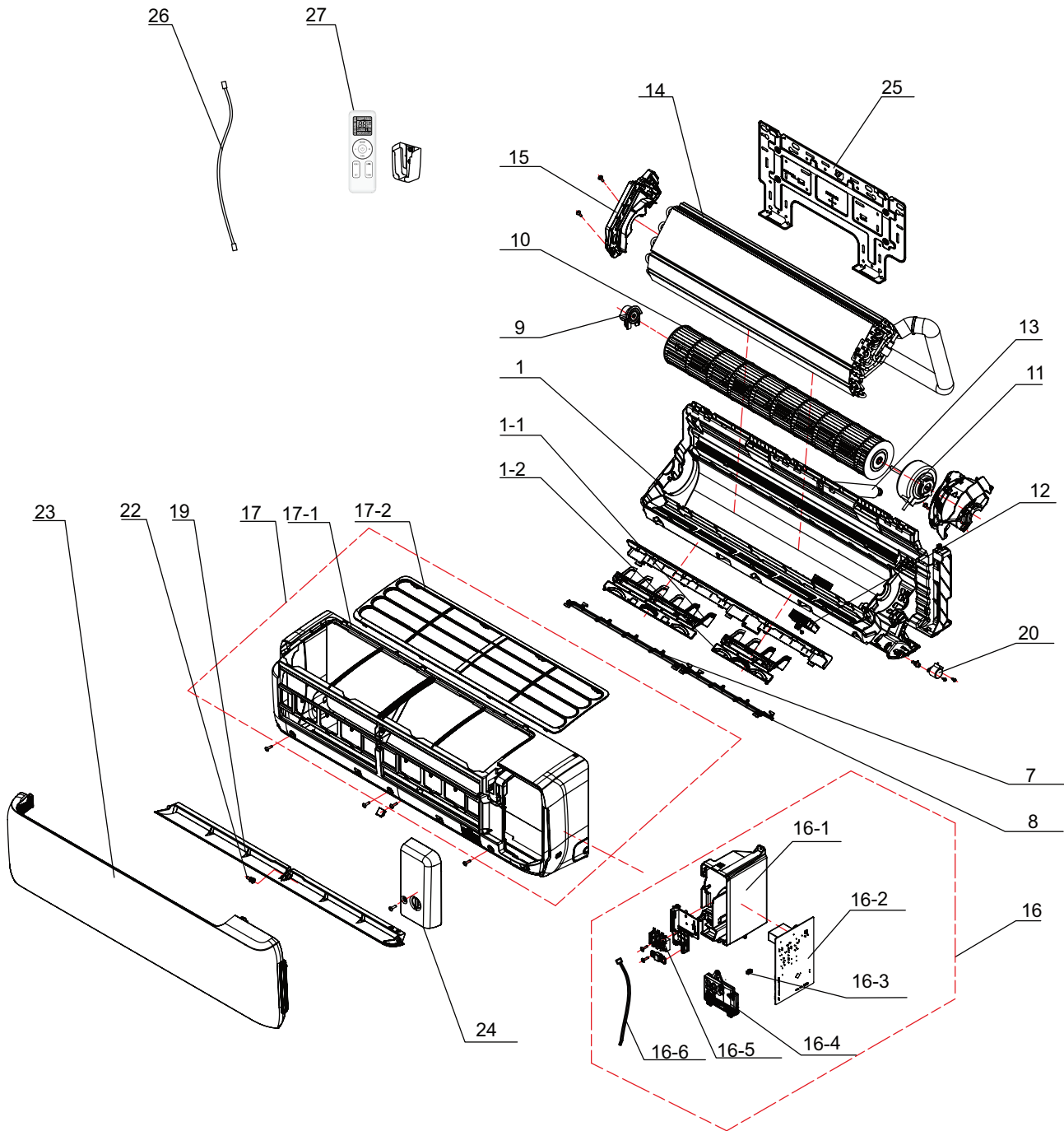


LIV09HP230V1R32AH



The component picture is only for reference; please refer to the actual product.



LIV09HP230V1R32AH

No.	Part Description	Qty	
1	Rear Case Sub-Assy	1	00037706008901
2	Air Louver(Left)	1	200007060111
3	Air Louver(Right)	1	200007060110
4	Swing Lever	1	200035060044
5	Air Louver (Auto)	1	200007060117
6	Stepping Motor	1	1521210704
7	Rear Grill Sub-assy	1	209168000016
8	Rear Grill Sub-assy	1	209168000016
9	Axile Bush Sub-assy	1	10542047
10	Cross Flow Fan	1	103001060038
11	Fan Motor	1	15010106028201
13	Drainage Hose	1	05230014
14	Evaporator Assy	1	01100106240507
15	Evaporator Support	1	200025060027
16	Electric Box Assy	1	100002082204
16-1	Electric Box	1	200013060124
16-2	Main Board	1	300002064054
16-3	Jumper	1	4202021905
16-4	Display Board	1	300001061554
16-5	Terminal Board	1	422000000022
16-6	Temperature Sensor	1	3900031302
17	Front Case Assy	1	000002060324
17-1	Front Case	1	200002060087
17-4	Filter Sub-Assy	1	111001060341
19	Guide Louver	1	200004060197
20	Stepping Motor	1	1521210712
22	Axile Bush	1	10542036
23	Front Panel	1	200003060306T
24	Electric Box Cover	1	200082060091
25	Wall Mounting Frame	1	012043000008
27	Remote Controller	1	305001060236
29	R32 Refrigerant Sensor	1	34002406001601

GREE ELECTRIC APPLIANCES INC. OF ZHUHAI
GREECOMFORT.COM