





SUBMITTAL DATA

ENV24HP230V1R32AH / ENV24HP230V1R32AO
24000 BTU/H Wall Mounted Heat Pump System

Job Name	Location	Date
Purchaser	Engineer	
Submitted to	For	
Unit Designation	Schedule No.	

			
YBE1FBF	ENV24HP230V1R32AH	ENV24HP230V1R32AO	XE71 (Optional)

GENERAL FEATURES

- AHRI Certificate: [214779345](#)
- High Efficiency DC Inverter Technology
- Compact and Quiet Design
- Auto-Clean Function on Indoor Unit
- Swing Louver Control
- Self-diagnosis
- New R32 Refrigerant
- Wi-Fi Included (Factory Installed)
- Wireless Remote with LCD Display
- Wired Controller Options
- Low Ambient Cooling down to -20°F (Range -20°F to 122°F)
- Low Ambient Heating down to -22°F (Range -22°F to 86°F)
- Coil (Indoor and Outdoor) Copper Tube / Aluminum Fin
- Blue Colored Fin - 500 Hrs Salt Spray Tested
- Fresh Air Kit - TL204000100 is offered as an accessory, needs to be ordered separately.

SPECIFICATIONS, FEATURES & FUNCTION SUMMARY

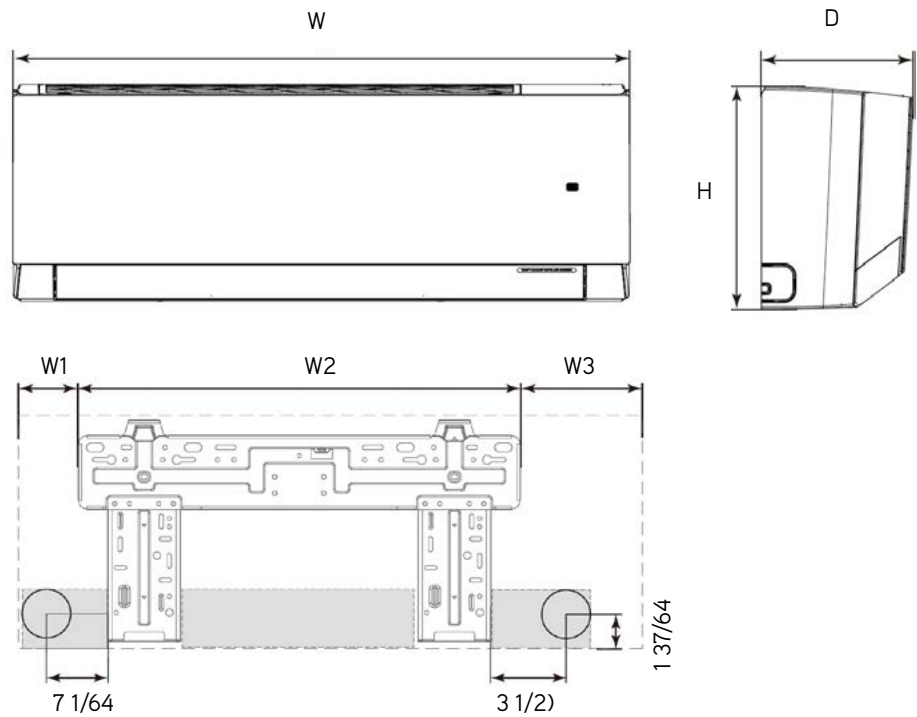
SPECIFICATIONS		ENV24HP230V1R32AH / ENV24HP230V1R32AO		FEATURES & FUNCTIONS SUMMARY		ENV24HP230V1R32AH / ENV24HP230V1R32AO	
System Type		HEAT PUMP					
SYSTEM PERFORMANCE							
Cooling	Min - Max	Btu/h	3990 - 28000				
	Capacity @95°F	Btu/h	22000				
Heating	Min - Max	Btu/h	2900 - 27640				
	Capacity @47°F	Btu/h	24000				
	Capacity @17°F	Btu/h	15300				
	Capacity Max @5°F	Btu/h	22000				
SEER2		24.0					
EER2		13.1					
HSPF2		9.0					
COP @5°F		1.8					
COP @47°F		3.2					
Cooling Temperature Range		°F	-20 - 122				
Heating Temperature Range		°F	-22 - 86				
Refrigerant Type		R32					
INDOOR UNIT				ENV24HP230V1R32AH			
Air flow (Min-Max)		CFM	235 - 559				
Sound Pressure Level (Min - Max)		dB(A)	30 - 48				
Dehumidification		pt/hr	5.07				
External Dimensions (WxHxD)		in	39 3/32 × 12 1/4 × 8 47/64				
Package Dimension (W x H x D)		in	41 17/32 × 15 5/32 × 11 47/64				
Net Weight		lbs	29.8				
Gross Weight		lbs	35.3				
OUTDOOR UNIT				ENV24HP230V1R32AO			
Compressor Type		Rotary					
Sound Pressure Level		dB(A)	61				
External Dimensions (WxHxD)		in	39 3/8 × 29 3/8 × 16 13/16				
Package Dimension (W x H x D)		in	42 33/64 × 31 57/64 × 19 1/64				
Net Weight		lbs	103.6				
Gross Weight		lbs	114.7				
REFRIGERANT PIPING							
Refrigerant Charge		oz	49.4				
Additional Charge		oz/ft	0.4				
Line Set Size (Liquid - Gas) - Flared Connections		in	1/4 - 5/8				
Pre-Charge Length		ft	25				
Pipe Length (Min - Max)		ft	10 - 131				
Max. Pipe Elevation		ft	82				
ELECTRICAL							
Power Supply		208-230V / 1Ph / 60Hz (Powered by the Outdoor Unit)					
Voltage Range (Min - Max)		VAC	187 - 253				
Rated Current - Cooling		A	13.5				
Rated Current - Heating		A	17.2				
MCA		A	23				
MOCP		A	25				
Suggested Breaker Size		A	25				
Main Power Wire Size		AWG	Per Local Code				
Interconnecting Wire Size		AWG	14 / 4				
SYSTEM FEATURES							
Inverter Type		G10					
Ultra Low Frequency Torque Control		Yes					
Power Factor Correction		Yes					
Compressor Type - Inverter		High Efficiency Rotary					
Basepan With Electric Heater		Yes					
Indoor & Outdoor Fin Coating (Blue Fin)		Yes					
Intelligent Defrosting		Yes					
Intelligent Preheating		Yes					
Low Voltage Startup		Yes					
Memory/Power Failure Recovery		Yes					
Self Diagnosis		Yes					
Wired Controller Interface (XE71 or XK76 optional)		Yes					
WiFi Included		Yes					
NEW! Easy Service Access		Yes					
Indoor Fan Type		Crossflow					
Multi Fan Speeds		7 Speeds					
Indoor Unit Display		Yes					
Auxiliary Electrical Heater		No					
Ventilation (Outdoor Air)		No					
REMOTE CONTROLLER FUNCTIONS							
Humidity Control		Yes					
Two-way Ventilation		Yes					
Auto Clean		Yes					
Auto Mode		Yes					
Auto Fan		Yes					
Auto Swing (Horizontal Auto Swing)		Yes					
Auto Swing - 180° (Vertical Auto Swing)		Yes					
Clock		Yes					
Dry Mode		Yes					
Dry Anti-Mildew (X-Fan) Mode		Yes					
Energy Saving Mode		Yes					
Dirty Filter Alert		Yes					
Fan Speed Control (7 Speeds)		Yes					
I Feel Function		Yes					
Child Lock		Yes					
Quiet Mode		Yes					
Room Temperature Display		No					
Sleep Mode		Yes					
3 Sleep Mode Options		Yes					
Timer Mode		Yes					
Turbo Mode		Yes					
Display On/Off Control		Yes					
Freeze Guard Mode		Yes					
Power Failure Mode		Yes					

DIMENSIONS

INDOOR UNIT

Unit: inch

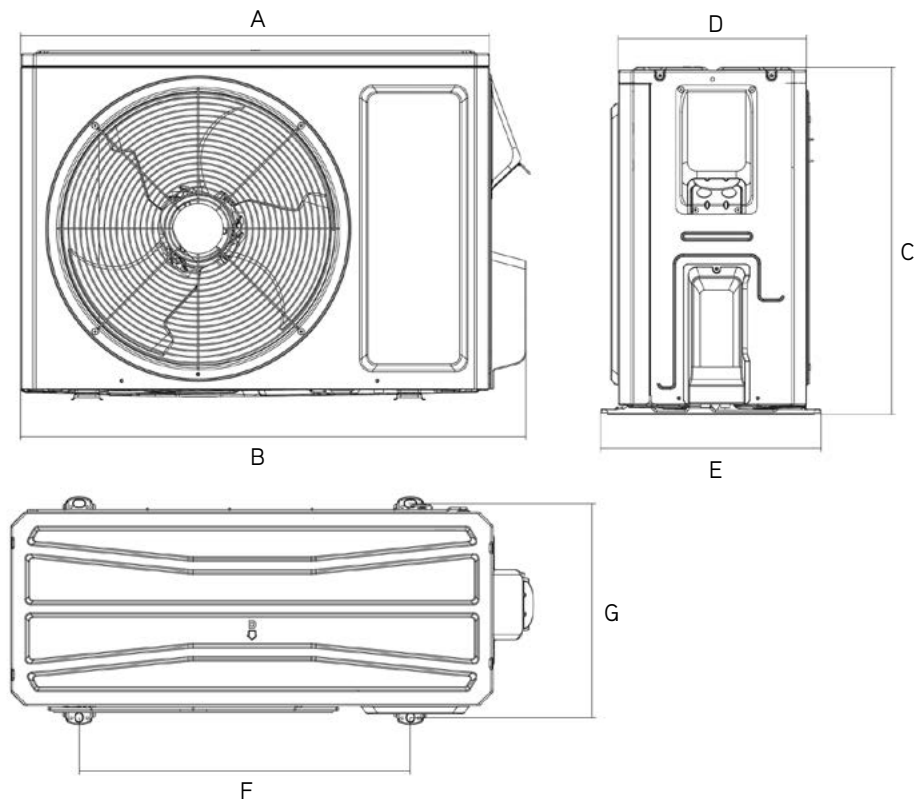
ENV24HP230V1R32AH	
DIMENSIONS	
W	39 3/32
H	12 1/4
D	8 47/64
W1	5 3/64
W2	27 55/64
W3	6 13/64



OUTDOOR UNIT

Unit: inch

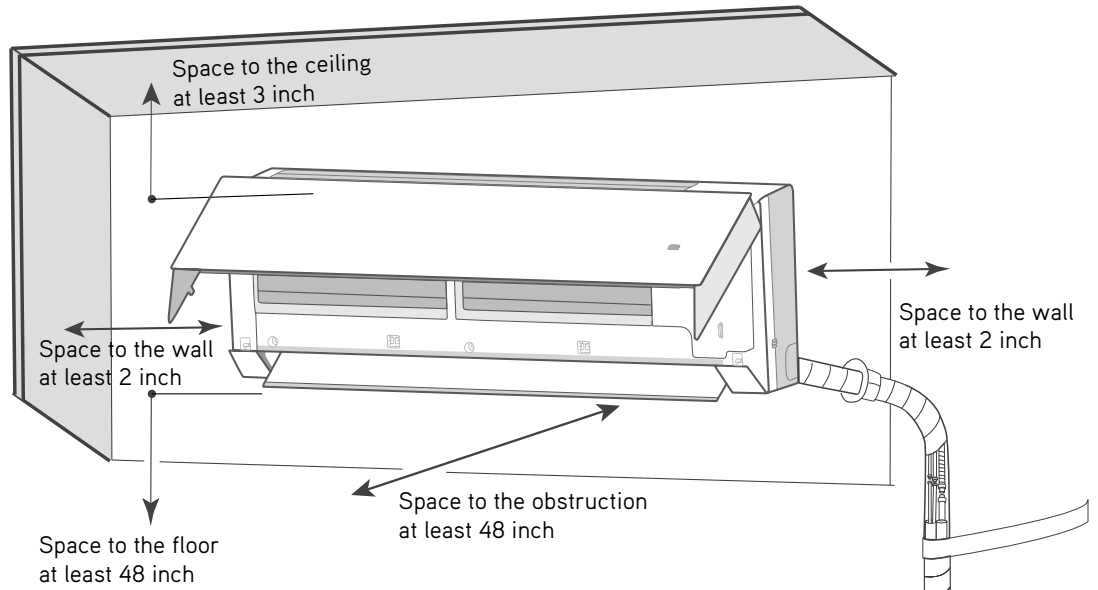
ENV24HP230V1R32AO	
DIMENSIONS	
A	36 11/32
B	39 3/8
C	29 3/8
D	14 17/32
E	16 13/16
F	24 1/64
G	15 35/64



CLEARANCES

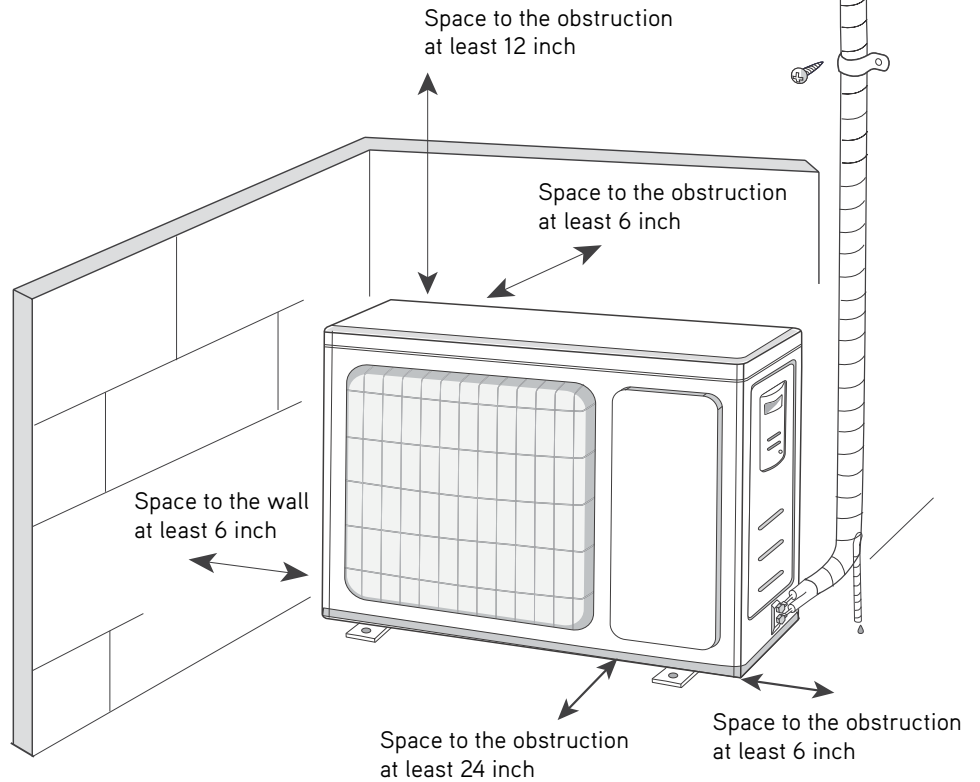
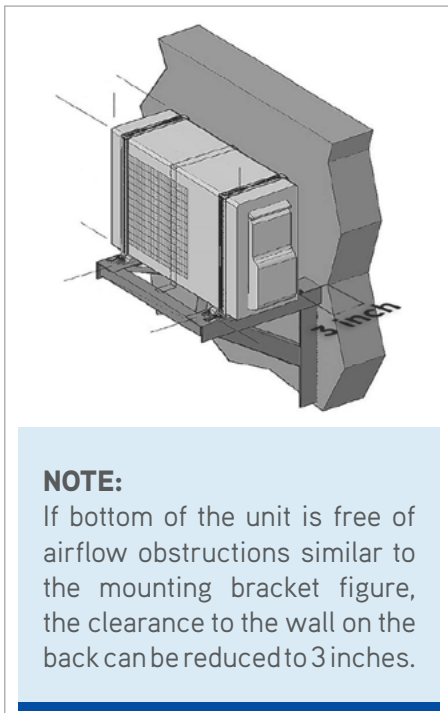
INDOOR UNIT

Minimum clearance



OUTDOOR UNIT

Minimum clearance



Specifications are subject to change without notice. Manufacturer reserves the right to discontinue or modify specifications or designs without notice or without incurring obligations. All Rights reserved.

GRECOMFORT.COM/SYSTEM-DOCUMENTATION