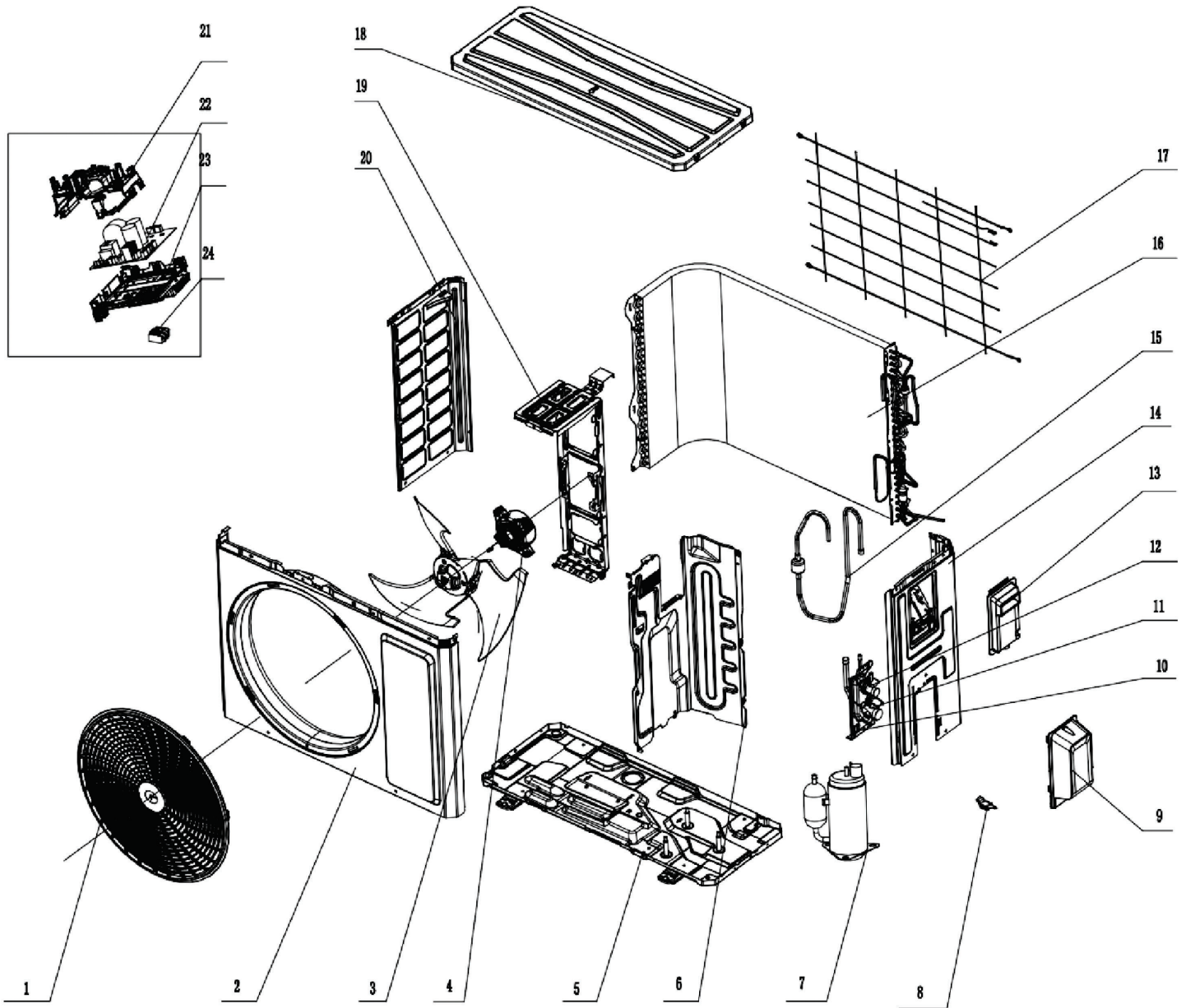


EXPLODED VIEW

ENV12HP230V1R32AO



No.	Part Description	Qty.	Part Code
5	Chassis Sub-Assy	1	017000060759P
NA	Electrical Heater (Chassis)	1	7651000423
7	Compressor and Fittings	1	009001061048
NA	Compressor Gasket	3	009012060035
16	Condenser Assy	1	01100206179401
NA	Current Divider	2	03413032
NA	Sponge (Condenser)	1	12123091
NA	Strainer	1	0721304401
NA	Electronic Expansion Valve DPF(T01)1.3C	1	07133821
NA	Strainer	1	0721302611
NA	4-Way Valve Assy	1	030152060972
NA	4-Way Valve Assy	1	030152060768
NA	4-Way Valve(1HP) SHF-4H-23U-P-AG	1	072007060013
NA	Silencer	1	035023060016
8	Valve Support	1	012044060022P
NA	Cut off Valve Sub-Assy	1	030057060452
11	Cut-off valve 1/2(N)	1	070001060024
12	Cut-off valve 1/4(N)	1	070001060022
NA	Sealing Cap of Joint	1	06640104
NA	Electric Expand Valve Fitting PQ-M10012	1	07200206002301
6	Clapboard	1	012051061151
NA	Motor Support	1	01204806014001
3	Axial Flow Fan	1	103002060015
NA	Magnet Coil	1	4300040072
23	Electric Box Assy	1	100002081633
22	Main Board W9022RC	1	300027063733
24	Terminal Board	1	42200006007501
20	Left Side Plate	1	012055060395P
14	Right Side Plate	1	01205606036706P
NA	Front Panel Assy	1	000003060803
2	Cabinet	1	01202206001002P
18	Top Cover Assy	1	000097060355



ENV12HP230V1R32AO



No.	Part Description	Qty	Part Code
NA	Top cover	1	012049060107P
17	Rear Grill	1	016001060082
NA	Sponge (Rear Grill)	1	12204221
NA	Cable Cross Plate	1	01220906002802P
9	Valve Cover	1	200087060004
NA	Drainage hole Cap	2	06813401
NA	Drainage hole Cap	2	7671301802
NA	Drainage Joint	1	26113009