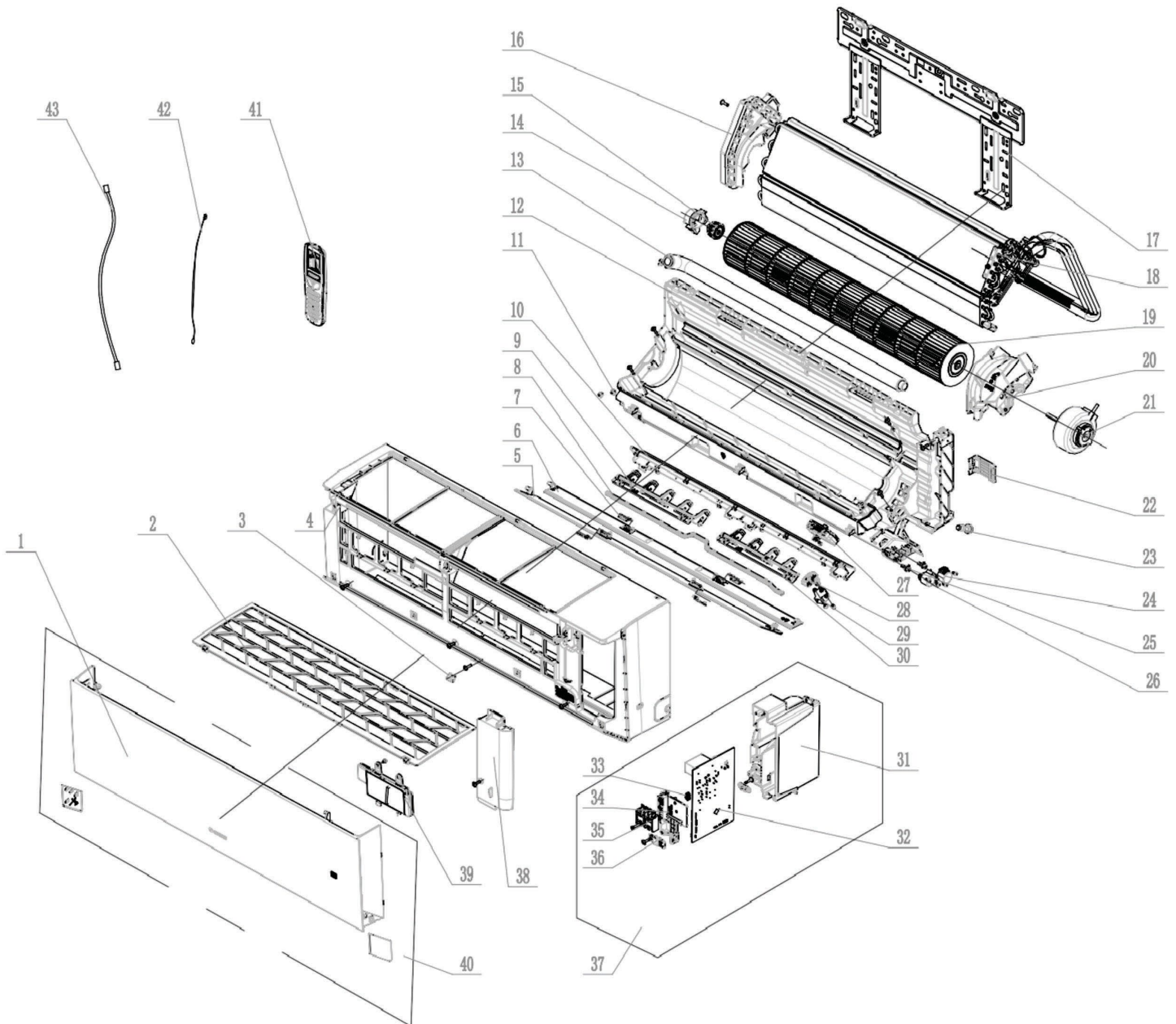


EXPLODED VIEW

ENV12HP230V1R32AH



| No. | Part Description | Qty. | Part Code |
|-----|---------------------------------------|------|----------------|
| NA | Rear Case Assy | 1 | 00000106043501 |
| NA | Rear Case Sub-Assy | 1 | 00037706014101 |
| 12 | Rear Case | 1 | 20000106003803 |
| NA | Foam (Water Tray) | 1 | 120000060288 |
| 24 | Stepping Motor | 1 | 1521210710 |
| 26 | Stepping Motor | 1 | 1521200607 |
| 25 | Crank | 2 | 200023060004 |
| 11 | Axile Bush Sub-Assy | 1 | 10542047 |
| 19 | Cross Flow Fan | 1 | 103001060004 |
| 21 | Brushless DC Motor | 1 | 15010406011702 |
| 20 | Motor Press Plate | 1 | 20002006000201 |
| 10 | Helicoid Tongue | 1 | 200006060031 |
| 30 | Air Louver(right) | 1 | 200007060065 |
| 9 | Air Louver (left) | 1 | 200007060064 |
| 8 | Swing Lever | 1 | 200035060028 |
| 28 | Air Louver (Auto) | 1 | 200007060066 |
| 29 | Stepping Motor | 1 | 1521210704 |
| NA | Rear Grill Sub-Assy | 2 | 209016000003 |
| NA | Rear Grill | 1 | 016001060083 |
| 11 | Drainage Hose | 1 | 05230014 |
| NA | Evaporator Assy | 1 | 01100106043001 |
| 16 | Evaporator Support | 1 | 200025060004 |
| NA | Evaporator Sealer Mud 630X21X2.5(1.4) | 0 | 76012401 |
| 37 | Electric Box Assy | 1 | 100002081632 |
| 31 | Electric Box | 1 | 200013060065 |
| 32 | Main Board | 1 | 300002063343 |
| 33 | Jumper | 1 | 4202021902 |
| 34 | Supporter | 1 | 200114060045 |
| 35 | Terminal Board | 1 | 422000000022 |
| 42 | Temperature Sensor | 1 | 3900031302 |
| NA | Front Case Assy | 1 | 000002060393 |

| No. | Part Description | Qty | Part Code |
|-----|------------------------------|-----|----------------|
| NA | Front Case | 1 | 200002060080 |
| 2 | Filter Sub-Assy | 1 | 111001060318 |
| 3 | Screw Cover | 1 | 200005060003 |
| NA | Guide Louver Sub-Assy | 1 | 000136060139 |
| 5 | Guide Louver (upper) | 1 | 200004060182 |
| 7 | Plug Pin | 2 | 200033060002 |
| NA | Guide Louver Sub-Assy | 1 | 000136060111 |
| 6 | Guide Louver (lower) | 1 | 200004060154 |
| 7 | Plug Pin | 2 | 200033060002 |
| NA | Front Panel Assy | 1 | 000003060752 |
| 1 | Front Panel | 1 | 200003060291T |
| 38 | Electric Box Cover | 1 | 200082060053 |
| 18 | Wall Mounting Frame Sub-Assy | 1 | 01252484 |
| 41 | Remote Controller | 1 | 305001060204 |
| NS | Gas Sensor | 1 | 34002406001601 |