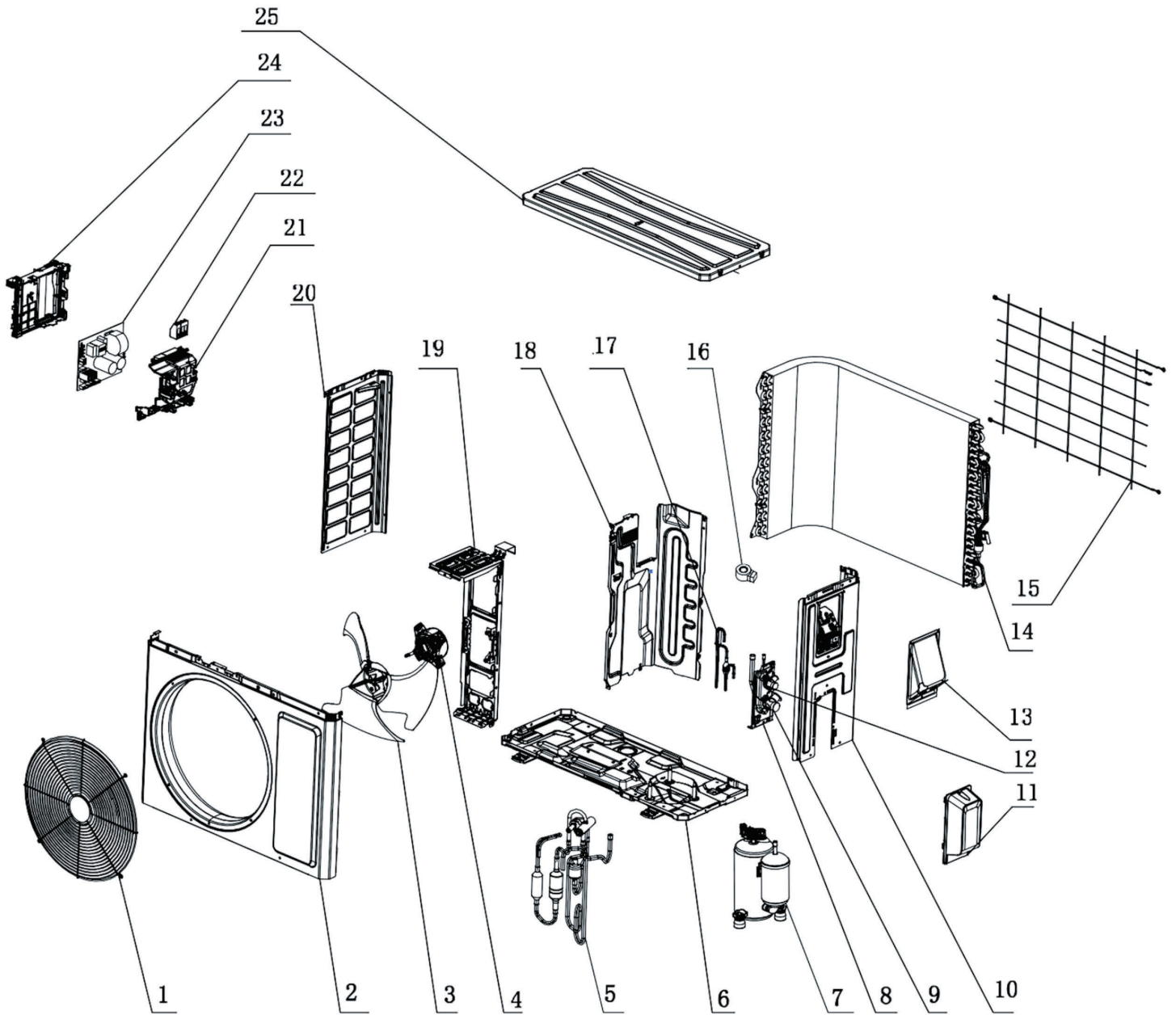


**EXPLODED VIEW**

ENV09HP230V1R32AO



No.	Part Description	Qty.	Part Code
6	Chassis Sub-Assy	1	017000060759P
NA	Electrical Heater (Chassis)	1	7651000423
7	Compressor and Fittings	1	009001060611
NA	Compressor Gasket	3	009012060032
14	Condenser Assy	1	01100206173402
NA	Sponge (Condenser)	1	12123091
NA	Strainer	1	0721302611
NA	Strainer	1	035021060015
NA	Electronic Expansion Valve	1	07133821
5	4-Way Valve Assy	1	030152060896
NA	4-Way Valve Assy	1	030152060812
NA	4-Way Valve	1	072007060013
NA	Silencer	1	07243066
NA	Silencer	1	035023000009
NA	Silencer	1	035023060016
NA	Cut off Valve Sub-Assy	1	030057060408
9	Cut-off valve 3/8(N)	1	070001060023
12	Cut-off valve 1/4(N)	1	070001060022
8	Valve Support	1	012044060022P
16	Electric Expand Valve Fitting	1	07200206002301
18	Clapboard	1	012051061151
19	Motor Support	1	01204806014001
3	Axial Flow Fan	1	103002060015
NA	Magnet Coil	1	4300040072
NA	Electric Box Assy	1	100002081624
23	Main Board	1	300027063727
22	Terminal Board	1	42200006007501
20	Left Side Plate	1	012055060395P
10	Right Side Plate	1	01205606036706P
NA	Front Panel Assy	1	000003060803
2	Cabinet	1	01202206001002P

No.	Part Description	Qty	Part Code
25	Top Cover Assy	1	000097060355
NA	Top cover	1	012049060107P
15	Rear Grill	1	016001060082
NA	Sponge (Rear Grill)	1	12204221
13	Cable Cross Plate	1	01220906002802P
11	Valve Cover	1	200087060004
6	Chassis Sub-Assy	1	017000060759P