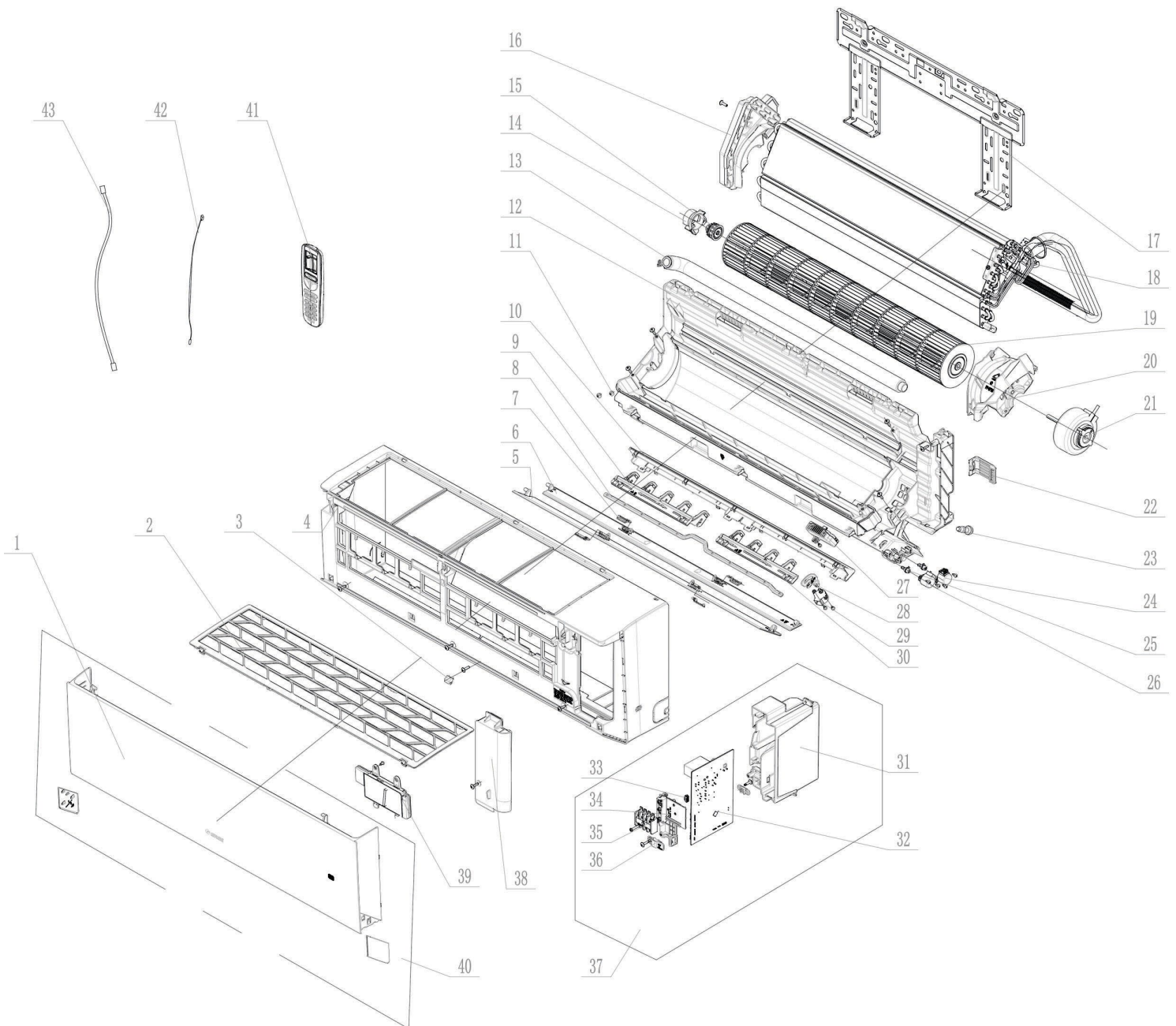


EXPLODED VIEW

ENV09HP23OV1R32AH



No.	Part Description	Qty.	Part Code
NA	Rear Case Assy	1	00000106043501
NA	Rear Case Sub-Assy	1	00037706014101
12	Rear Case	1	20000106003803
NA	Foam (Water Tray)	1	120000060288
24	Stepping Motor	1	1521210710
26	Stepping Motor	1	1521200607
25	Crank	2	200023060004
11	Axile Bush Sub-Assy	1	10542047
19	Cross Flow Fan	1	103001060004
21	Brushless DC Motor	1	15010406011702
20	Motor Press Plate	1	20002006000201
10	Helicoid Tongue	1	200006060031
30	Air Louver(right)	1	200007060065
9	Air Louver (left)	1	200007060064
8	Swing Lever	1	200035060028
28	Air Louver (Auto)	1	200007060066
29	Stepping Motor	1	1521210704
NA	Rear Grill Sub-Assy	2	209016000003
NA	Rear Grill	1	016001060083
13	Drainage Hose	1	05230014
18	Evaporator Assy	1	011001060430
16	Evaporator Support	1	200025060004
NA	Evaporator Sealer Mud 630X21X2.5(1.4)	0	76012401
37	Electric Box Assy	1	100002081569
31	Electric Box	1	200013060065
32	Main Board	1	300002063343
33	Jumper	1	4202021901
34	Supporter	1	200114060045
35	Terminal Board	1	422000000022
42	Temperature Sensor	1	3900031302
NA	Front Case Assy	1	000002060393
12	Front Case	1	200002060080



ENV09HP230V1R32AH



No.	Part Description	Qty	Part Code
2	Filter Sub-Assy	1	111001060318
3	Screw Cover	1	200005060003
NA	Guide Louver Sub-Assy	1	000136060139
5	Guide Louver (upper)	1	200004060182
7	Plug Pin	2	200033060002
NA	Guide Louver Sub-Assy	1	000136060111
6	Guide Louver (lower)	1	200004060154
7	Plug Pin	2	200033060002
40	Front Panel Assy	1	000003060752
1	Front Panel	1	200003060291T
38	Electric Box Cover	1	200082060053
17	Wall Mounting Frame Sub-Assy	1	01252484
41	Remote Controller	1	305001060204
NS	Gas Sensor	1	34002406001601

