



SUBMITTAL DATA: FLR24HP230V1BF

24000 BTU/H Floor/Ceiling Heat Pump System

Job Name	Location	Date
Purchaser	Engineer	
Submitted To	For	
Unit Designation	Schedule No.	

YT1F / XK19

FLR24HP230V1BF

3VIR24HP230V1AO



(Optional)



GENERAL FEATURES

AHRI Certificate: 207201635

High Efficiency DC Inverter Technology

Quiet Operation and Multi-Speed Fan

Floor Stand or Ceiling Mount

Multi-Directional Air Flow

Wireless Remote with LCD Display Included

XK19 Wired Controller Included

Low Ambient Cooling down to -20°F (Range -20°F to 122°F)

Low Ambient Heating down to -22°F (Range -22°F to 86°F)

Coil (Indoor and Outdoor) Copper Tube / Aluminum Fin*

*** (Blue Fin) 500 Hrs Salt Spray Tested**

5 Year Limited Compressor & Parts Warranty (Residential Only)

SPECIFICATIONS

3VIR24HP230V1AO / FLR24HP230V1BF

System Type		HEAT PUMP	
SYSTEM PERFORMANCE			
Cooling	Rated Capacity @ 95°F	Btu/h	22000
	Min-Max Capacity	Btu/h	3600 - 26500
Heating	Rated Capacity @ 47°F	Btu/h	24000
	Rated Capacity @ 17°F	Btu/h	14800
	Min-Max Capacity	Btu/h	4000 - 33000
SEER / EER		20 / 12	
HSPF / COP		10 / 3.3	
Energy Star®		NO	
Cooling Temperature Range		°F	-20 - 122
Heating Temperature Range		°F	-22 - 86
INDOOR UNIT		FLR24HP230V1BF	
Fan Motor Output Power		W	20
Fan Motor FLA		amps	0.32
Air Flow (Min - Max)		CFM	424 - 560
Sound Pressure Level (Cooling / Heating)		dB(A)	27 - 38
Dehumidification		pt/hr	5.3
Condensate Drain Size (OD)		in	11/16
Unit Dimension (WxHxD)		in	47 1/4 X 26 1/4 X 9 1/4
Package Dimension (WxHxD)		in	53 1/2 X 30 1/4 X 11 1/4
Weight (Net / Gross)		lbs	72.8 / 88.2
OUTDOOR UNIT		3VIR24HP230V1AO	
Compressor Type		G-10 / 1-Stage Inverter	
Compressor RLA		amps	10.68
Fan Motor Output Power		W	90
Fan Motor RLA		amps	0.7
Sound Pressure Level (Cooling / Heating)		dB(A)	59
Unit Dimension (WxHxD)		in	39 1/2 X 31 1/8 X 16 7/8
Package Dimension (WxHxD)		in	42 5/8 X 33 1/8 X 19 1/8
Weight (Net / Gross)		lbs	124.6 / 135.6
Refrigerant Charge - R410A		oz	63.5
Coil Type		Aluminum Fin / Copper Tube	
REFRIGERANT PIPING			
Line Set Size (Liquid - Gas)		in	1/4 - 5/8
Pre-Charge Lengh		ft	25
Pipe Length (Min - Max)		ft	10 / 98
Max. Pipe Elevation		ft	66
ELECTRICAL			
Power Supply (Voltage Operating Range)		208-230V / 1Ph / 60Hz	
Rated Current (Cooling / Heating)		amps	7.5 / 14.5
MCA / MOCP		amps	16 / 25
Main Power Wire Size		AWG	Size Per Local Code
Interconnecting Wire Size		AWG	14 / 4
LIMITED WARRANTY		5 Years Parts and Compressor - Residential	

EXTENDED RATINGS

FLR24HP230V1BF

COOLING PERFORMANCE						HEATING PERFORMANCE				
Outdoor Ambient Temperature (DB)		Return Air Temperature				Outdoor Ambient Temperature (DB)		Return Air Temperature		
		80°F (DB)						70°F (DB)		
		TC (Btu/h)	SHR	EER	Power Input (W)			TC (Btu/h)	COP	Power Input (W)
MAX OUTPUT	-20°F	8338	5864	1.68	1451.6	MAX OUTPUT	-22°F	11893	1.50	2324.7
	-15°F	8794	6449	1.86	1384.3		-20°F	12732	1.57	2372.1
	-10°F	9399	6599	1.90	1451.6		-15°F	14212	1.72	2420.6
	-5°F	10325	7143	1.92	1574.8		-10°F	16285	1.93	2470.0
	0°F	11536	7261	1.95	1735.1		-5°F	17173	2.00	2520.4
	5°F	13843	8773	2.24	1812.7		0°F	17765	2.02	2571.8
	10°F	14665	9399	2.28	1885.4		5°F	19739	2.20	2624.3
	15°F	15125	9651	2.41	1838.6		10°F	20726	2.27	2677.8
	20°F	15500	9833	2.34	1941.9		15°F	23687	2.54	2732.5
	25°F	15637	10047	2.36	1942.2		17°F	26056	2.74	2788.3
	30°F	16150	10446	2.34	2019.8		20°F	28128	2.90	2845.2
	35°F	17169	10965	2.40	2097.5		25°F	29017	2.93	2903.2
	40°F	17688	11518	2.50	2071.6		30°F	29609	2.93	2962.5
	45°F	18675	11981	2.53	2163.2		35°F	29905	2.87	3051.4
	50°F	19226	12602	2.56	2201.0		40°F	30201	2.82	3142.9
	55°F	20252	13363	2.60	2278.7		45°F	31089	2.81	3237.0
	60°F	20863	13749	2.60	2350.1		47°F	31978	2.81	3334.3
	65°F	21021	13961	2.61	2356.3		50°F	32152	2.81	3350.9
	70°F	23015	15642	2.70	2500.7		55°F	32297	2.76	3434.5
	75°F	24353	16281	2.81	2537.5		60°F	32616	2.70	3537.2
	80°F	25177	17005	2.85	2586.8		65°F	33576	2.70	3643.8
	85°F	25682	17593	2.82	2667.7		70°F	34535	2.70	3752.5
	90°F	25849	17389	2.89	2622.9		75°F	35494	2.69	3865.0
	95°F	25635	17360	2.90	2590.0		80°F	36774	2.71	3981.6
100°F	23817.17	16327	2.92	2387.2	86°F	37242	2.70	4035.5		
105°F	22815.15	15549	2.93	2278.7						
110°F	22422.69	14885	2.96	2220.2						
115°F	21277.05	14594	2.97	2097.5						
120°F	20144.77	13429	2.98	1978.7						
122°F	18713.55	12916	3.00	1826.0						

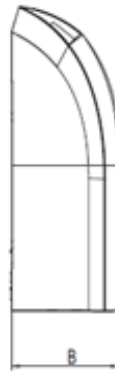
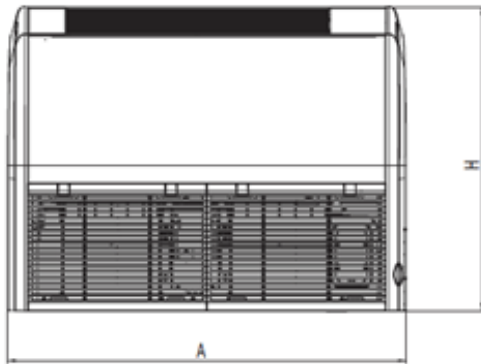
LEGEND: W - Watts
 DB - Dry Bulb
 TC - Total Capacity
 SHR - Sensible Heat Ratio
 COP - Coefficient of Performance

FEATURES & FUNCTIONS SUMMARY**3VIR24HP230V1AO / FLR24HP230V1BF****SYSTEM FEATURES**

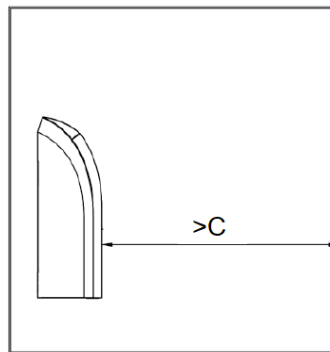
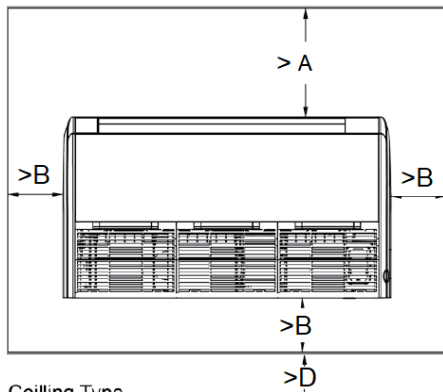
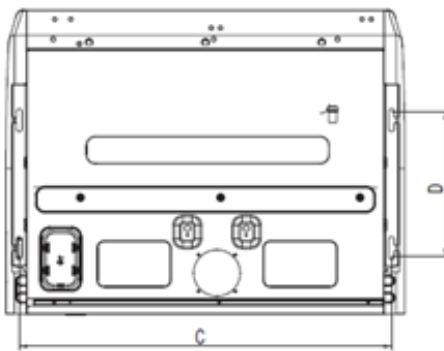
Inverter Type	G10
Ultra Low Frequency Torque Control	Yes
Power Factor Correction	Yes
Compressor Type - Inverter	High Efficiency Rotary
Basepan With Electric Heater	Yes
Indoor & Outdoor Fin Coating (Blue Fin)	Yes
Intelligent Defrosting	Yes
Intelligent Preheating	Yes
Low Voltage Startup	Yes
Memory/Power Failure Recovery	Yes
Self Diagnosis	Yes
Wired Controller Interface	Yes
WiFi Included	No
Indoor Fan Type	Centrifugal
Multi Fan Speeds	4 Speeds
Indoor Unit Display	Yes
Auxiliary Electrical Heater	No
Ventilation (Outdoor Air)	No

REMOTE CONTROLLER FUNCTIONS

Auto Mode	Yes
Auto Fan	Yes
Auto Swing - (Horizontal Auto Swing)	No
Auto Swing - (Vertical Auto Swing)	Yes
Clock	Yes
Dry Mode	Yes
Dry Anti-Mildew (X-Fan) Mode	Yes
Energy Saving Mode	Yes
Dirty Filter Alert	No
Fan Speed Control (4 Speeds)	Yes
I Feel Function	Yes
Privacy Lock	Yes
Quiet Mode	Yes
Room Temperature Display	No
Sleep Mode (Normal Sleep)	Yes
4 Sleep Mode Options	No
Timer Mode	Yes
Turbo Mode	Yes
Display On/Off Control	Yes
Freeze Guard Mode	Yes
Power Failure Mode	Yes

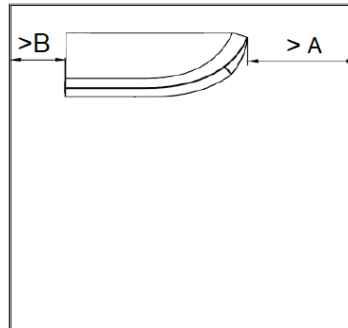
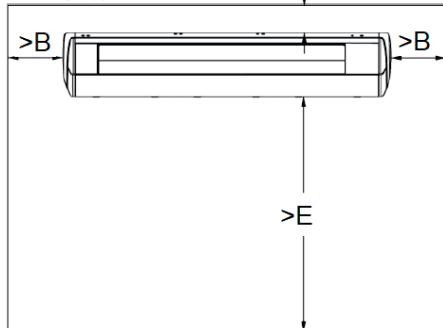


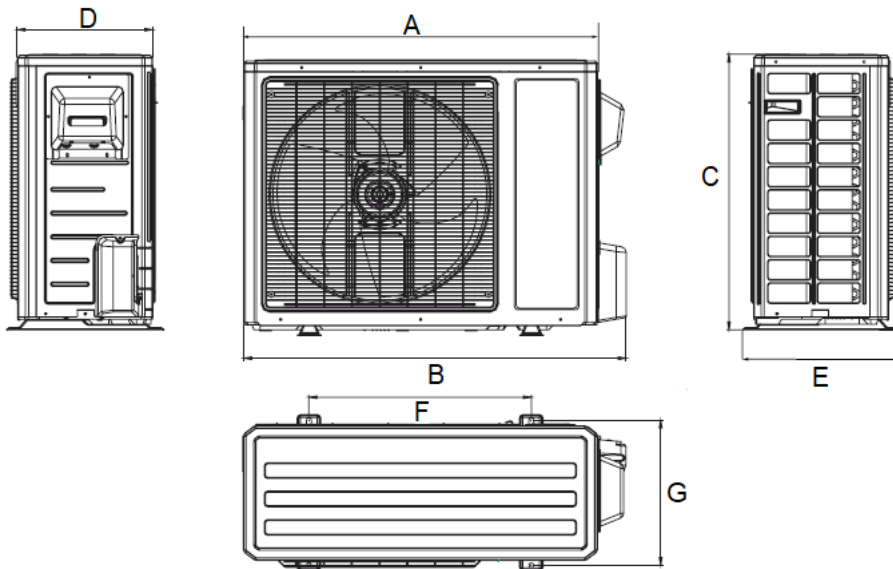
Dimensions	
A	47 1/4
B	9 1/4
C	45
D	12 1/2
H	26 1/4



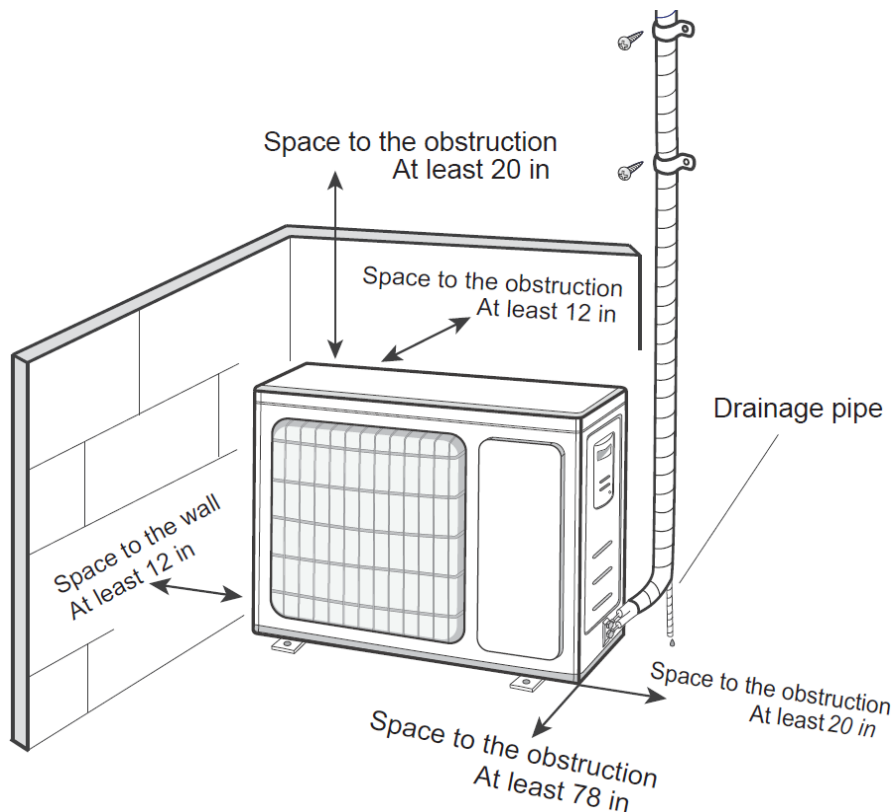
Dimensions	
A	60
B	12
C	39
D	6
E	90

Ceiling Type





Dimensions	
A	36 1/4
B	39 1/2
C	31 1/8
D	14 9/16
E	16 7/8
F	24
G	15 9/16



Specifications are subject to change without notice. Manufacturer reserves the right to discontinue or modify specifications or designs without notice or without incurring obligations. All Rights reserved.