



SUBMITTAL DATA: 3VIR12HP230V1A 12000 BTU/H Wall Mounted Heat Pump System		
Job Name	Location	Date
Purchaser	Engineer	
Submitted To	For	
Unit Designation	Schedule No.	

YAP1F7F 3VIR12HP230V1AH 3VIR12HP230V1AO



GENERAL FEATURES

- AHRI Certificate: 206839099**
- High Efficiency DC Inverter Technology**
- Compact and Quiet Design**
- Auto-Clean Function on Indoor Unit**
- Wireless Remote with LCD Display**
- Wired Controller Options**
- Wi-Fi Included (Factory Installed)**
- Low Ambient Cooling down to -20°F (Range -20°F to 122°F)**
- Low Ambient Heating down to -22°F (Range -22°F to 86°F)**
- Coil (Indoor and Outdoor) Copper Tube / Aluminum Fin***
- *(Blue Fin) 500 Hrs Salt Spray Tested**

Limited Warranty: 5 Year Parts, 7 Years Compressor - Residential & Commercial



SPECIFICATIONS

3VIR12HP230V1AO / 3VIR12HP230V1AH

System Type		HEAT PUMP	
SYSTEM PERFORMANCE			
Cooling	Rated Capacity @ 95°F	Btu/h	12000
	Min-Max Capacity	Btu/h	3071 - 14100
	Rated Power Input (Min - Max)	W	220 - 1400
Heating	Rated Capacity @ 47°F	Btu/h	12000
	Rated Capacity @ 17°F	Btu/h	7300
	Min-Max Capacity	Btu/h	3071 - 15500
	Rated Power Input (Min - Max)	W	220 - 1500
SEER / EER		25 / 13	
HSPF / COP		11.5 / 3.61	
Energy Star®		YES	
Cooling Temperature Range		°F	-20 - 122
Heating Temperature Range		°F	-22 - 86
INDOOR UNIT		3VIR12HP230V1AH	
Fan Motor Output Power		W	15
Fan Motor FLA		amps	0.2
Air Flow (Min - Max)		CFM	230 - 400
Sound Pressure Level (Cooling / Heating)		dB(A)	27 - 43
Dehumidification		pt/hr	3
Condensate Drain Size (OD)		in	5 / 8
Unit Dimension (WxHxD)		in	32 1/2 X 11 1/2 X 7 3/4
Package Dimension (WxHxD)		in	34 1/4 X 13 3/4 X 10 1/8
Weight (Net / Gross)		lbs	21 / 25.4
OUTDOOR UNIT		3VIR12HP230V1AO	
Compressor Type		G-10 / 1-Stage Inverter	
Compressor RLA		amps	6.6
Fan Motor Output Power		W	30
Fan Motor RLA		amps	0.37
Sound Pressure Level (Cooling / Heating)		dB(A)	52
Unit Dimension (WxHxD)		in	35 3/8 X 23 1/2 X 14 3/4
Package Dimension (WxHxD)		in	37 3/16 X 24 7/8 X 16 1/2
Weight (Net / Gross)		lbs	83.8/90.4
Refrigerant Charge - R410A		oz	47.3
Coil Type		Aluminum Fin / Copper Tube	
REFRIGERANT PIPING			
Line Set Size (Liquid - Gas)		in	1/4 - 1/2
Pre-Charge Lengh		ft	25
Pipe Length (Min - Max)		ft	10 / 66
Max. Pipe Elevation		ft	33
ELECTRICAL			
Power Supply (Voltage Operating Range)		208-230V / 1Ph / 60Hz	
Rated Current (Cooling / Heating)		amps	4 / 7.5
MCA / MOCP		amps	10 / 15
Main Power Wire Size		AWG	Size Per Local Code
Interconnecting Wire Size		AWG	14 / 4
LIMITED WARRANTY		5 Years Parts, 7 Years Compressor - Residential & Commercial	

EXTENDED RATINGS

3VIR12HP230V1AO / 3VIR12HP230V1AH

COOLING PERFORMANCE						HEATING PERFORMANCE				
Outdoor Ambient Temperature (DB)		Return Air Temperature				Outdoor Ambient Temperature (DB)		Return Air Temperature		
		80°F (DB)						70°F (DB)		
		TC (Btu/h)	SHR	EER	Power Input (W)			TC (Btu/h)	COP	Power Input (W)
MAX OUTPUT	-20°F	5380	3834	10.95	491	MAX OUTPUT	-22°F	4800	1.38	1019
	-15°F	5530	3959	11.01	502		-20°F	4980	1.41	1033
	-10°F	5680	4084	11.06	513		-15°F	5160	1.44	1048
	-5°F	5840	4217	11.10	526		-10°F	5460	1.51	1062
	0°F	6000	4350	11.13	539		-5°F	5760	1.57	1077
	5°F	6240	4555	11.35	550		0°F	7800	2.09	1096
	10°F	6420	4703	11.33	567		5°F	9000	2.36	1116
	15°F	6600	4851	11.32	583		10°F	9600	2.61	1077
	20°F	6900	5090	11.40	605		15°F	10140	2.77	1072
	25°F	7200	5328	11.48	627		17°F	10680	2.93	1067
	30°F	7680	5722	11.64	660		20°F	10800	3.11	1019
	35°F	8040	6011	11.69	688		25°F	10920	3.23	989
	40°F	8400	6300	11.75	715		30°F	11160	3.34	980
	45°F	8760	6593	11.30	776		35°F	11280	3.47	955
	50°F	9120	6886	10.91	836		40°F	11400	3.59	931
	55°F	9420	7136	10.98	858		45°F	11760	3.63	951
	60°F	9720	7387	11.05	880		47°F	11880	3.63	960
	65°F	10380	7916	11.10	935		50°F	12000	3.63	970
	70°F	11040	8446	11.15	990		55°F	12960	3.80	999
	75°F	12120	9332	11.60	1045		60°F	13800	3.93	1028
	80°F	12600	9735	11.87	1062		65°F	13200	3.66	1057
	85°F	13080	10137	12.13	1078		70°F	12720	3.49	1067
	90°F	12540	9749	11.52	1089		75°F	11880	3.23	1077
	95°F	12000	9360	10.91	1100		80°F	11160	3.12	1048
100°F	11400	8919	9.97	1144	86°F	10360	2.91	1044		
105°F	10800	8478	9.09	1188						
110°F	10440	8221	8.51	1227						
115°F	10080	7963	7.97	1265						
120°F	9480	7511	7.46	1271						
122°F	8880	7060	6.96	1276						

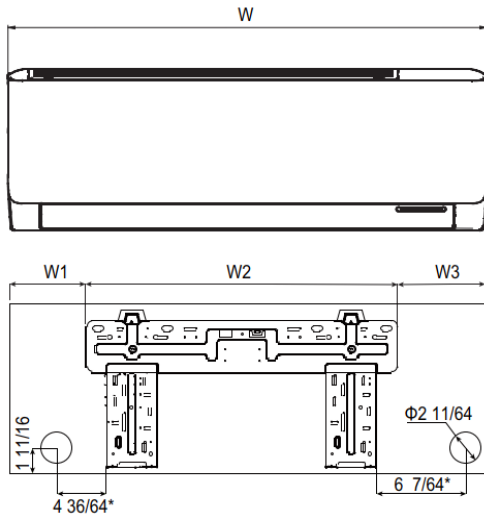
LEGEND: W - Watts
 DB - Dry Bulb
 TC - Total Capacity
 SHR - Sensible Heat Ratio
 COP - Coefficient of Performance

FEATURES & FUNCTIONS SUMMARY

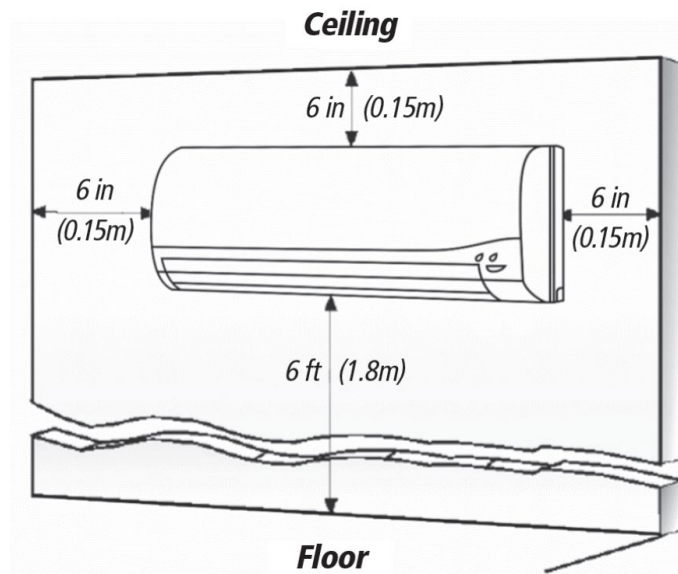
3VIR12HP230V1AO / 3VIR12HP230V1AH

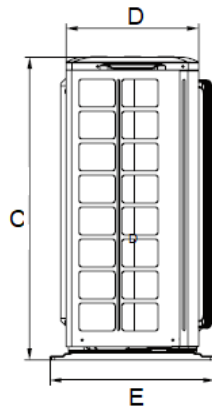
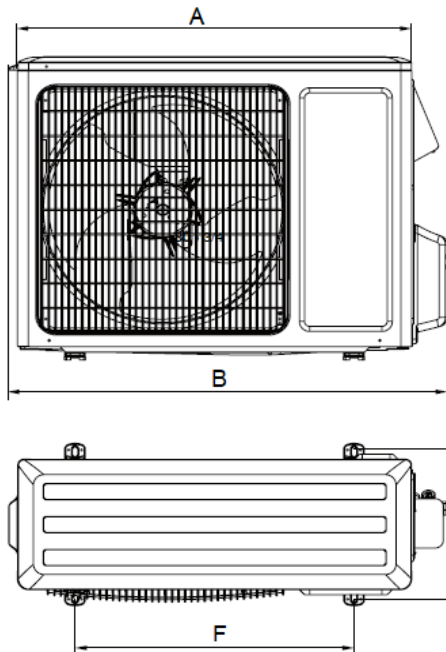
SYSTEM FEATURES	
Inverter Type	G10
Ultra Low Frequency Torque Control	Yes
Power Factor Correction	Yes
Compressor Type - Inverter	High Efficiency Rotary
Basepan With Electric Heater	Yes
Indoor & Outdoor Fin Coating (Blue Fin)	Yes
Intelligent Defrosting	Yes
Intelligent Preheating	Yes
Low Voltage Startup	Yes
Memory/Power Failure Recovery	Yes
Self Diagnosis	Yes
Wired Controller Interface (XE71 or XK76 optional)	Yes
WiFi Included	Yes
NEW! Easy Service Access	Yes
Indoor Fan Type	Crossflow
Multi Fan Speeds	7 Speeds
Indoor Unit Display	Yes
Auxiliary Electrical Heater	No
Ventilation (Outdoor Air)	No

REMOTE CONTROLLER FUNCTIONS	
NEW! Auto Clean	Yes
Auto Mode	Yes
Auto Fan	Yes
Auto Swing (Horizontal Auto Swing)	Yes
Auto Swing - 180° (Vertical Auto Swing)	Yes
Clock	Yes
Dry Mode	Yes
Dry Anti-Mildew (X-Fan) Mode	Yes
Energy Saving Mode	Yes
Dirty Filter Alert	No
Fan Speed Control (7 Speeds)	Yes
I Feel Function	Yes
Privacy Lock	Yes
Quiet Mode	Yes
Room Temperature Display	No
Sleep Mode	Yes
3 Sleep Mode Options	Yes
Timer Mode	Yes
Turbo Mode	Yes
Display On/Off Control	Yes
Freeze Guard Mode	Yes
Power Failure Mode	Yes



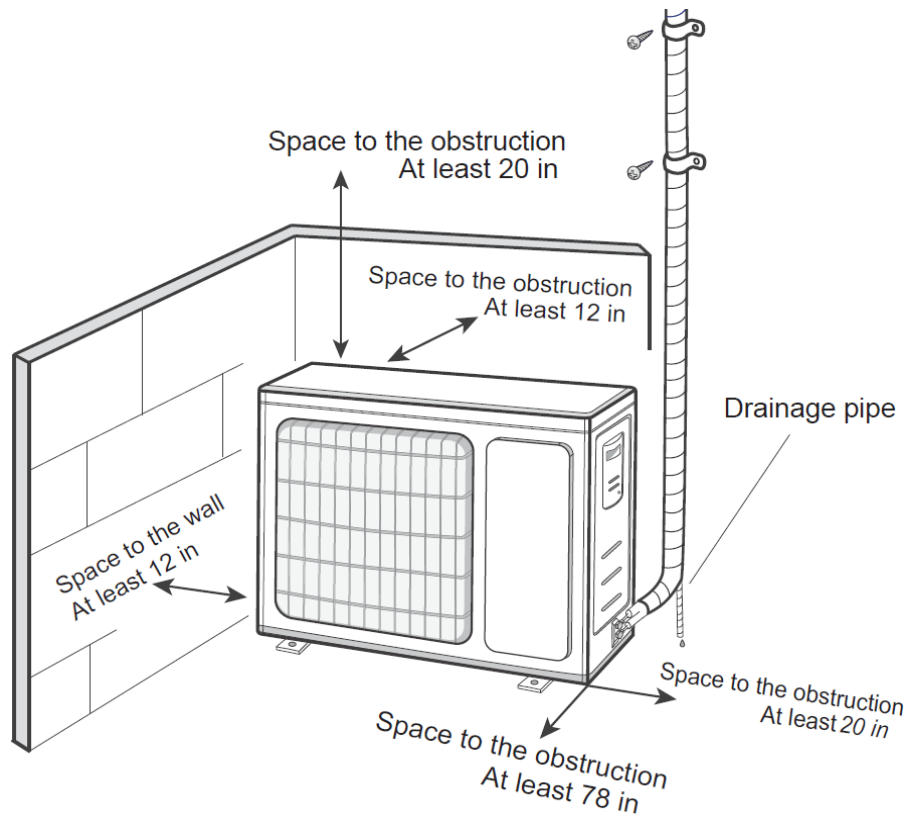
Dimensions	
W	32 1/2
D	7 3/4
H	11 1/2
W1	4 7/16
W2	21 3/8
W3	6 11/16





Dimensions	
A	32 3/16
B	35 3/8
C	23 1/2
D	12
E	14 3/4
F	21 2/3
G	13 1/2

Unit:inch



Specifications are subject to change without notice. Manufacturer reserves the right to discontinue or modify specifications or designs without notice or without incurring obligations. All Rights reserved.