

ADDENDUM

DUCT B SERIES RETURN AIR / SUPPLY AIR OPENING DIMENSIONS

Unit: mm(in.)

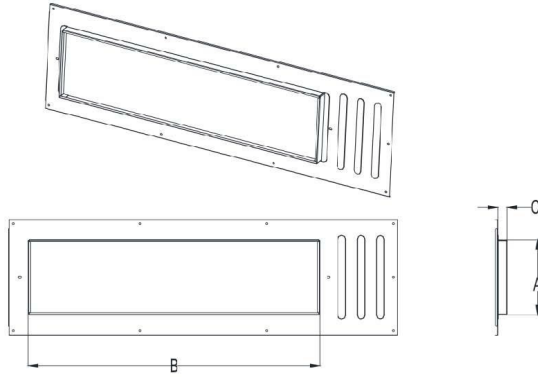


Fig 4.4.1 Air Outlet

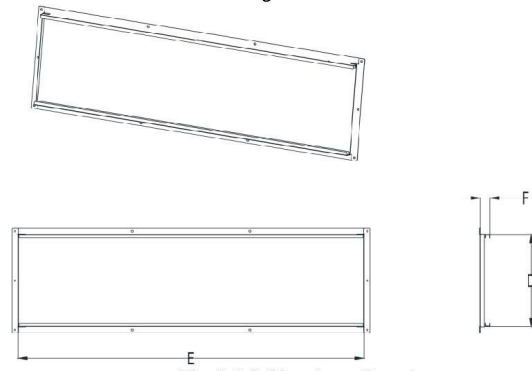


Fig 4.4.2 Air-return Opening

Model	mm (in)					
	Size of Air Outlet			Size of Air-Return Opening		
	A	B	C	D	E	F
DUCT09HP230V 1BD DUCT12HP230V1BD	195 (7-5/8)	451 (17-3/4)	25 (1)	264 (10-3/8)	660 (26)	29 (1-1/8)
DUCT18HP230V1BD DUCT24HP230V1BD	195 (7-5/8)	751 (29-9/16)	25 (1)	264 (10-3/8)	960 (37-3/4)	29 (1-1/8)