

SUBMITTAL DATA

SAP24HP230V1AH / SAP24HP230V1AO
24000 BTU/H Wall Mounted Heat Pump System

Job Name

Location

Date

Purchaser

Engineer

Submitted to

For

Unit Designation

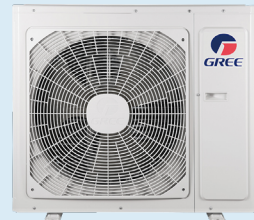
Schedule No.



YAG1FB2F



SAP24HP230V1AH



SAP24HP230V1AO



XE71 (Optional)

GENERAL FEATURES

- AHRI Certificate: [10157571](#)
- High Efficiency DC Inverter Technology
- Elegant and Quiet Design
- Auto-Clean Function on Indoor Unit
- Wireless Remote with LCD Display
- Wired Controller Options
- Wi-Fi Included (Factory Installed)
- Low Ambient Cooling down to 0°F (Range 0°F to 129°F)
- Low Ambient Heating down to -22°F (Range -22°F to 75°F)
- Coil (Outdoor) Copper Tube/Aluminum Fin with Anti-Corrosion Coil Coating (Gold Colored Fin - 1500Hr Salt Spray Rating)
- Coil (Indoor) Copper Tube/Aluminum Fin with Anti-Corrosion Coil Coating (Blue Colored Fin - 500Hr Salt Spray Rating)

SPECIFICATIONS, FEATURES & FUNCTION SUMMARY

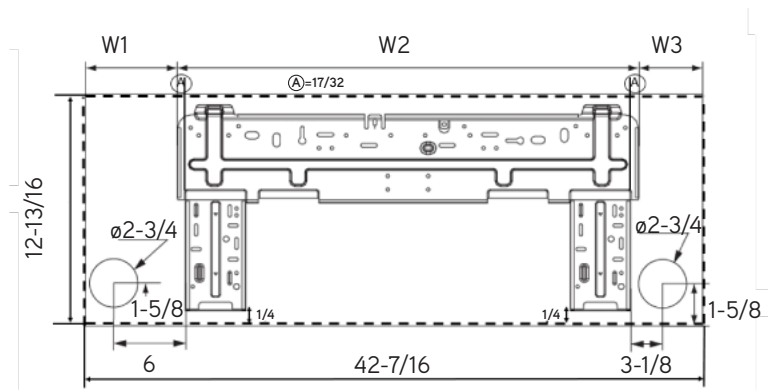
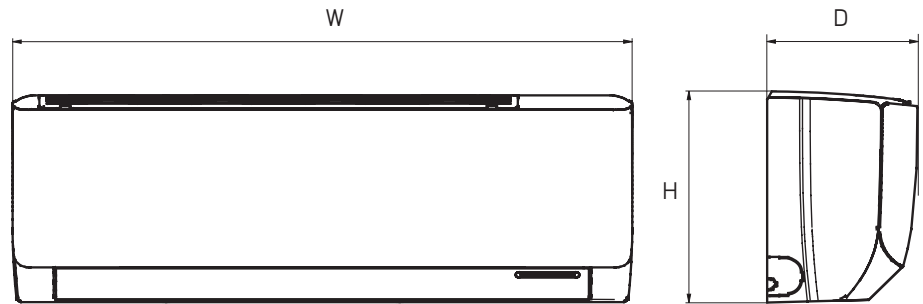
SPECIFICATIONS		SAP24HP230V1AH / SAP24HP230V1AO		FEATURES & FUNCTIONS SUMMARY		SAP24HP230V1AH / SAP24HP230V1AO	
System Type		HEAT PUMP					
SYSTEM PERFORMANCE				SYSTEM FEATURES			
Cooling	Min - Max	Btu/h	6800 - 30700	Inverter Type	G10		
	Capacity @95°F	Btu/h	22000	Ultra Low Frequency Torque Control	Yes		
Heating	Min - Max	Btu/h	6800 - 32000	Power Factor Correction	Yes		
	Capacity @5°F	Btu/h		Compressor Type	High Efficiency Two Stage Rotary		
	Capacity @17°F	Btu/h	15500	Refrigerant Type	R410A		
	Capacity @47°F	Btu/h	24000	Basepan With Electric Heater	Yes		
SEER2			21.5	Compressor With Electric Heater	Yes		
EER2			13.0	Indoor & Outdoor Fin Coating	Acrylic Resin/Anti-Corrosion		
HSPF2			9.5	Intelligent Defrosting	Yes		
COP @5°F				Intelligent Preheating	Yes		
COP @47°F			3.5	Low Voltage Startup	Yes		
Cooling Temperature Range	°F	0 - 129		Memory/Power Failure Recovery	Yes		
Heating Temperature Range	°F	-22 - 75		Self Diagnosis	Yes		
Refrigerant Type			R410A	Wired Controller Interface	No		
INDOOR UNIT		SAP24HP230V1AH		WiFi Included	Yes		
Air flow (Min-Max)	CFM	383 - 824		Indoor Fan Type	Crossflow		
Sound Pressure Level (Min - Max)	dB(A)	34 - 54		Multi Fan Speeds	7 Speeds		
Dehumidification	pt/hr	4.23		Indoor Unit Display	Yes		
External Dimensions (WxHxD)	in	44-3/16 x 13 x 9-13/16		Auxiliary Electrical Heater	No		
Package Dimension (W x H x D)	in	46-7/8 x 16 x 13-3/16		Ventilation (Outdoor Air)	No		
Net Weight	lbs	35.3		REMOTE CONTROLLER FUNCTIONS			
Gross Weight	lbs	41.9		Auto Mode	Yes		
OUTDOOR UNIT		SAP24HP230V1AO		Auto Fan	Yes		
Compressor Type	GREE G-10 / 2 - STAGE INVERTER			Auto Swing (Horizontal Auto Swing)	Yes		
Sound Pressure Level	dB(A)	59		Auto Swing (Vertical Auto Swing)	Yes		
External Dimensions (WxHxD)	in	38-5/8 x 31-1/8 x 16-13/16		Clock on Remote Controller	Yes		
Package Dimension (W x H x D)	in	42-1/2 x 33-1/8 x 19-1/8		Dry Mode	Yes		
Net Weight	lbs	147.7		Dry Anti-Mildew (X-Fan) Mode	Yes		
Gross Weight	lbs	158.8		Energy Saving Mode	No		
REFRIGERANT PIPING				Dirty Filter Alert	No		
Refrigerant Charge - R410A	oz	81.1		I Feel Function	Yes		
Additional Charge	oz/ft	0.5		Lock on Remote Controller	Yes		
Line Set Size (Liquid - Gas) - Flared Connections	in	1/4 - 5/8		Quiet Mode	Yes		
Pre-Charge Length	ft	25		Room Temperature Display	No		
Pipe Length (Min - Max)	ft	10 - 164		Sleep Mode	Yes		
Max. Pipe Elevation	ft	98		4 Sleep Mode Options	Yes		
ELECTRICAL				Timer Mode	Yes		
Power Supply	208-230V / 1Ph / 60Hz			Turbo Mode	Yes		
Voltage Range (Min - Max)	VAC	187 - 253		Display On/Off Control	Yes		
Rated Current - Cooling	A	16.4		Freeze Guard Mode	No		
Rated Current - Heating	A	16.4					
MCA	A	22					
MOCP	A	35					
Suggested Breaker Size	A	25					
Main Power Wire Size	AWG	Per Local Code					
Interconnecting Wire Size	AWG	14 / 4					

DIMENSIONS

INDOOR UNIT

Unit: inch

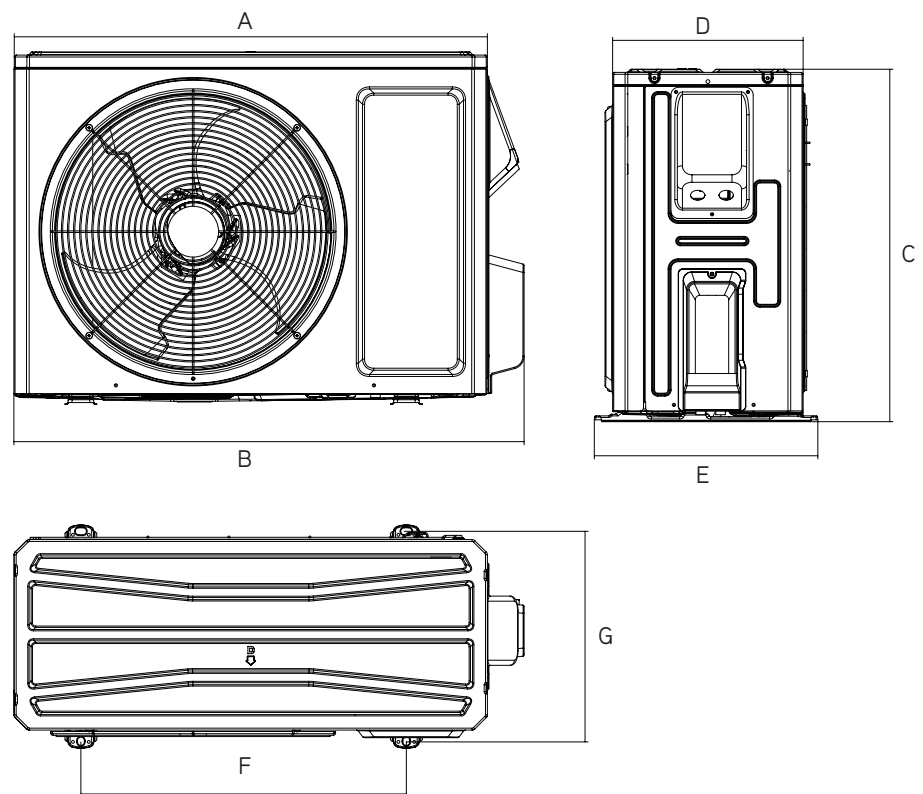
SAP24HP230V1AH	
DIMENSIONS	
W	44-3/16
H	13
D	9-13/16
W1	8-1/8
W2	27
W3	7-5/16



OUTDOOR UNIT

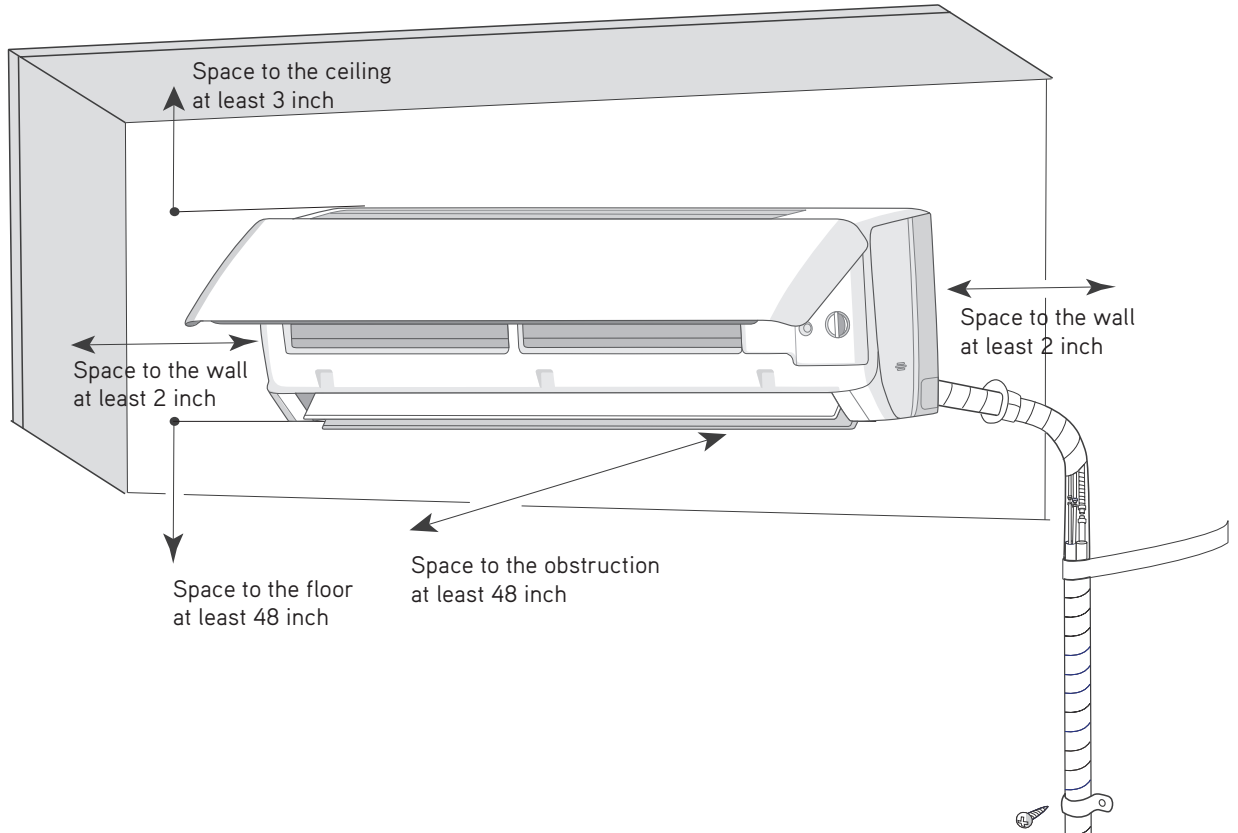
Unit: inch

SAP24HP230V1AO	
DIMENSIONS	
A	36-1/4
B	38-5/8
C	31-1/8
D	14-5/8
E	16-13/16
F	24
G	15-3/8



CLEARANCES

INDOOR UNIT Minimum clearance

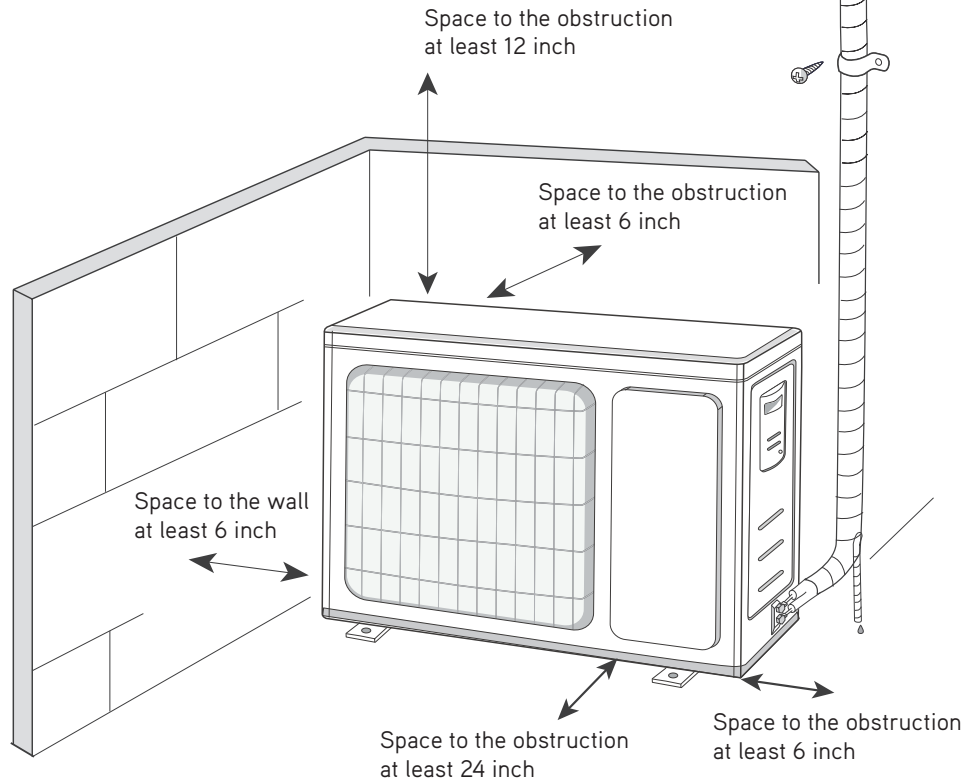


OUTDOOR UNIT Minimum clearance

3 inch

NOTE:
If bottom of the unit is free of airflow obstructions similar to the mounting bracket figure, the clearance to the wall on the back can be reduced to 3 inches.

This diagram shows a mounting bracket for an outdoor unit. A dimension line indicates a 3-inch clearance from the back of the unit to the wall when the unit is mounted on this bracket.



Specifications are subject to change without notice. Manufacturer reserves the right to discontinue or modify specifications or designs without notice or without incurring obligations. All Rights reserved.