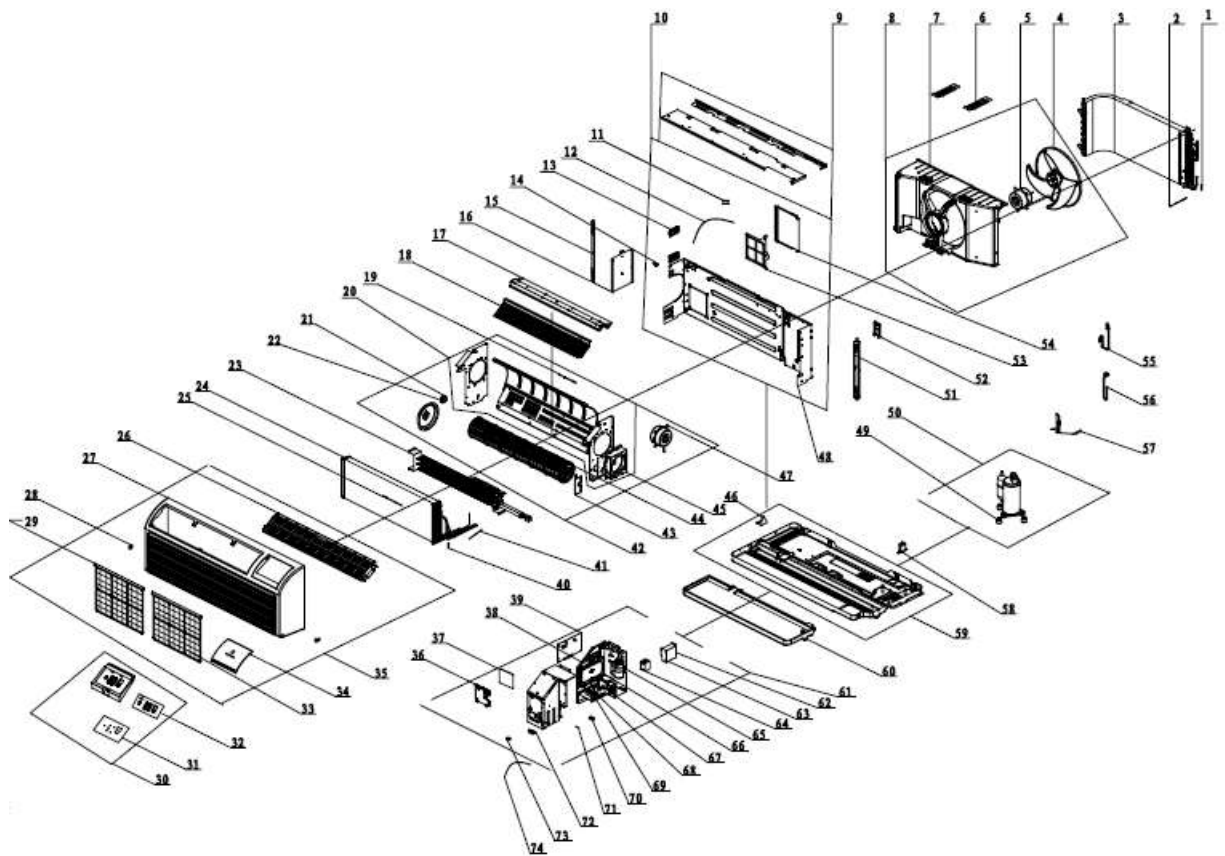


**PACKAGED TERMINAL  
AIR CONDITIONER/HEAT PUMP  
7,000 - 15,000 BTUH**



## Replacement Parts Catalog

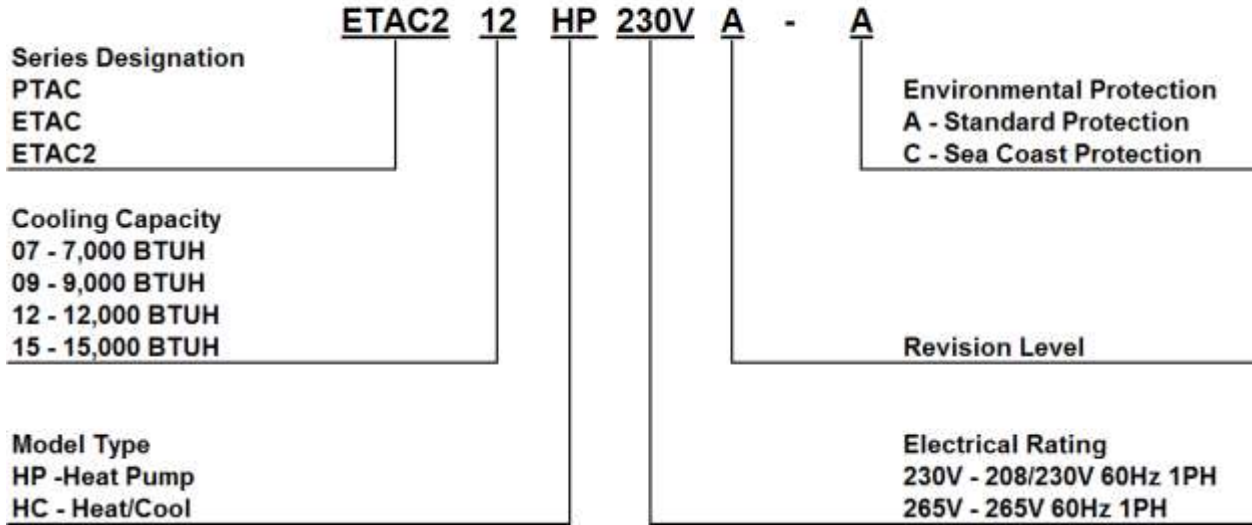


# Table of Contents

<b>Model Number</b>	<b>Description</b>	<b>Page</b>
Nomenclature	Part Number Nomenclature Chart	3
ETAC2-07HC230VA-A	7,000 BTU Heat/Cool Universal Elect Heat 208/230v	4
ETAC2-09HC230VA-A	9,000 BTU Heat/Cool Universal Elect Heat 208/230v	7
ETAC2-12HC230VA-A	12,000 BTU Heat/Cool Universal Elect Heat 208/230v	10
ETAC2-15HC230VA-A	15,000 BTU Heat/Cool Universal Elect Heat 208/230v	13
ETAC2-07HC265VA-A	7,000 BTU Heat/Cool Universal Elect Heat 265v	16
ETAC2-09HC265VA-A	9,000 BTU Heat/Cool Universal Elect Heat 265v	19
ETAC2-12HC265VA-A	12,000 BTU Heat/Cool Universal Elect Heat 265v	22
ETAC2-15HC265VA-A	15,000 BTU Heat/Cool Universal Elect Heat 265v	25
ETAC2-07HP230VA-A	7,000 BTU Heat Pump Universal Elect Heat 208/230v	28
ETAC2-09HP230VA-A	9,000 BTU Heat Pump Universal Elect Heat 208/230v	31
ETAC2-12HP230VA-A	12,000 BTU Heat Pump Universal Elect Heat 208/230v	34
ETAC2-15HP230VA-A	15,000 BTU Heat Pump Universal Elect Heat 208/230v	37
ETAC2-07HP265VA-A	7,000 BTU Heat Pump Universal Elect Heat 265v	40
ETAC2-09HP265VA-A	9,000 BTU Heat Pump Universal Elect Heat 265v	43
ETAC2-12HP265VA-A	12,000 BTU Heat Pump Universal Elect Heat 265v	46
ETAC2-15HP265VA-A	15,000 BTU Heat Pump Universal Elect Heat 265v	49

# Product Catalog Number-Nomenclature

Example: ETAC2-12HP230VA-A

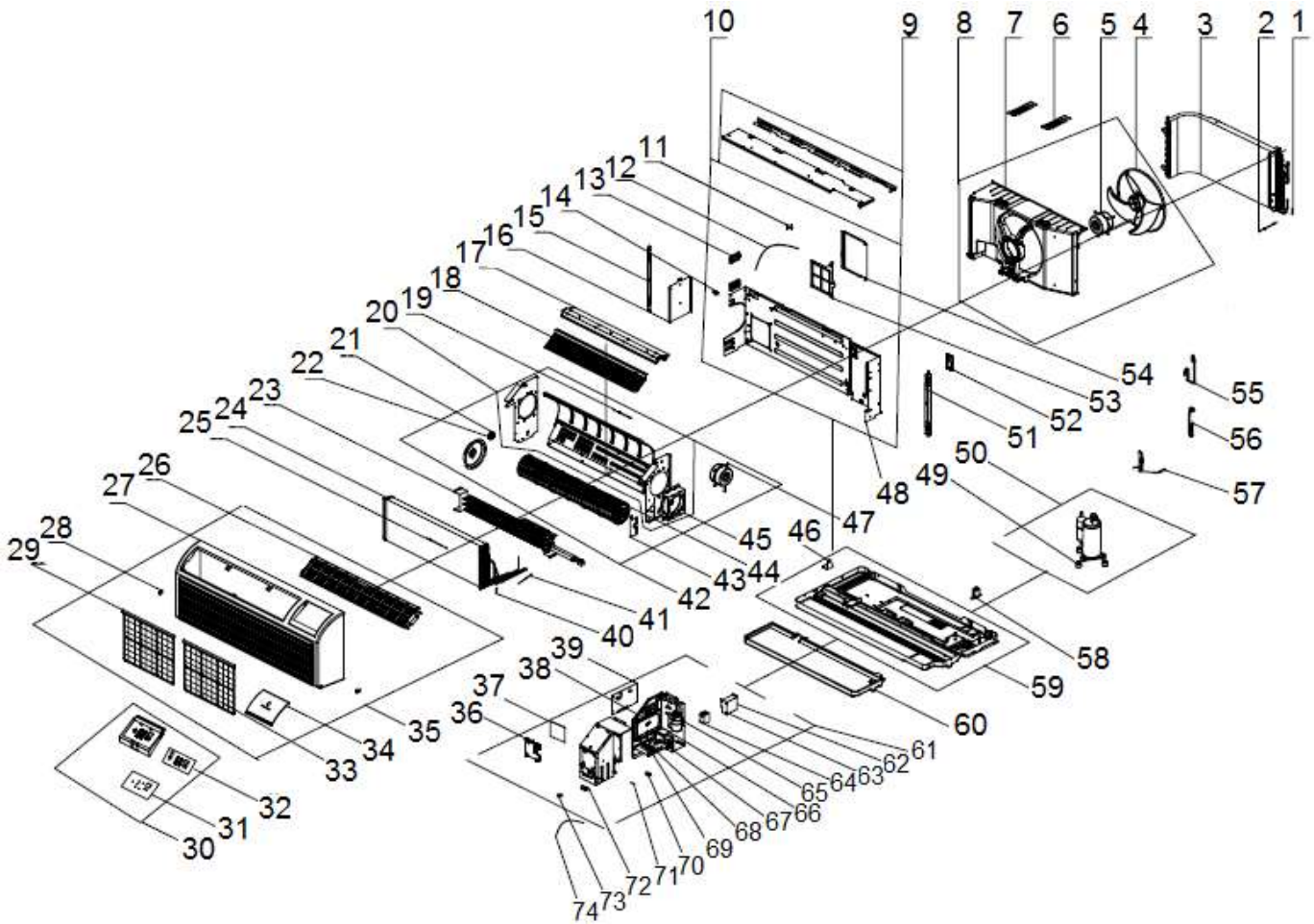


 GREE ELECTRIC APPLIANCES INC. OF ZHUHAI MODEL: ETAC2-09HP230VA-A SERIAL: 2415GP00197	DESIGN PRESSURE LOWSIDE 300P. S.I. HIGSIDE 500P. S.I. COOLING RATED VOLTS 230/208 EER 12.1/12.1 COP 3.53/3.5 R410A 33.9 OZ MFG. DATE	1 PHASE 60Hz BTU/HR 9400/9200 AMPS 3.7/3.9 WATTS 775/760	ELECTRIC HEATING BTU/HR 17000/17000/2000 AMPS 21.8/19.7/15.0/13.6/10.7/9.7 WATTS 5000/3450/2450	HEATING BTU/HR 8300/8100 AMPS 3.2/3.4 WATTS 695/675			 63229966898
	PACKAGED TERMINAL AIR CONDITIONER WARNING: USE ON SINGLE OUTLET CIRCUIT ONLY						

ETAC Nameplate with Model Number

# ETAC2-07HC230VA-A

7,000 BTUH Heat/Cool 208/230v Model



**ETAC2-07HC230VA-A**  
**7,000 BTUH Heat/Cool 208/230v Model**  
**Product Code: GAE07AE-D3NRNB5G**

NO.	Part Code	Part Description	Qty
1	05212423	Temperature Sensor Sleeve	1
2	390000372	Outdoor Coil Temperature Sensor	1
3	01101373	Condenser Coil Assy	1
Not Shown	01100200066	Condenser Coil Assy (CP Model Only)	1
4	10331004	Outdoor Axial Flow Fan Wheel	1
5	1501104714	Outdoor Fan Motor	1
6	01381021	Condenser Shroud Support Brackets	2
7	10371218	Condenser Shroud	1
8	1037121905	Condenser Shroud Assembly	1
9	0125104201P	Top Cover Sub-Assy	1
10	0123111901	Main Partition Wall Sub-Assy	1
11	71000151	Vent Door Cable Clamp	2
12	02161505	Vent Door Cable	1
13	26231156	Vent Door Hand Lever 1	1
14	26231157	Vent Door Hand Lever 2	1
15	01701038	Wall Sleeve Mounting Bracket (Left)	1
16	01361018	Side Panel	1
17	02121029P	Discharge Air Deck Sub-Assy	1
18	01471007	Discharge Air Screen	1
19	390001982	Discharge Air Temperature Sensor	1
20	01221027P	Air Duct Sub-Assy	1
21	26151139	Blower Wheel Bearing Holder Sub-Assy	1
22	26151138	Blower Wheel Bearing Holder	1
23	32001039	Electric Heater	1
Not Shown	45040037	Electric Heater Temperature Limiter	1
Not Shown	4601038101	Electric Heater Thermal Fuse (110°C)	1
24	01100100043	Evaporator Coil Assy	1
25	3900012123	Ambient Temperature Sensor	1
26	22411023	Discharge Air Grille	1
27	20001673	Front Panel	1
28	02111013	Front Panel Clip	2
29	none	Air Filter Brackets Sub-Assy	0
30	2016138202	Escutcheon Panel Sub-Assy	1
31	6306130903	Membrane Touch Pad	1
32	30562073	Display Board	1
33	11121029	Indoor Air Filter	1
34	20121070S	Control Panel Door	1
35	2000147503	Front Panel Assy	1
36	26111167	Control Board Support	1
37	30132171	Main Control Board 1	1
38	26111166	Control Board Support	1
39	30132161	Relay/Power Control Board 2	1

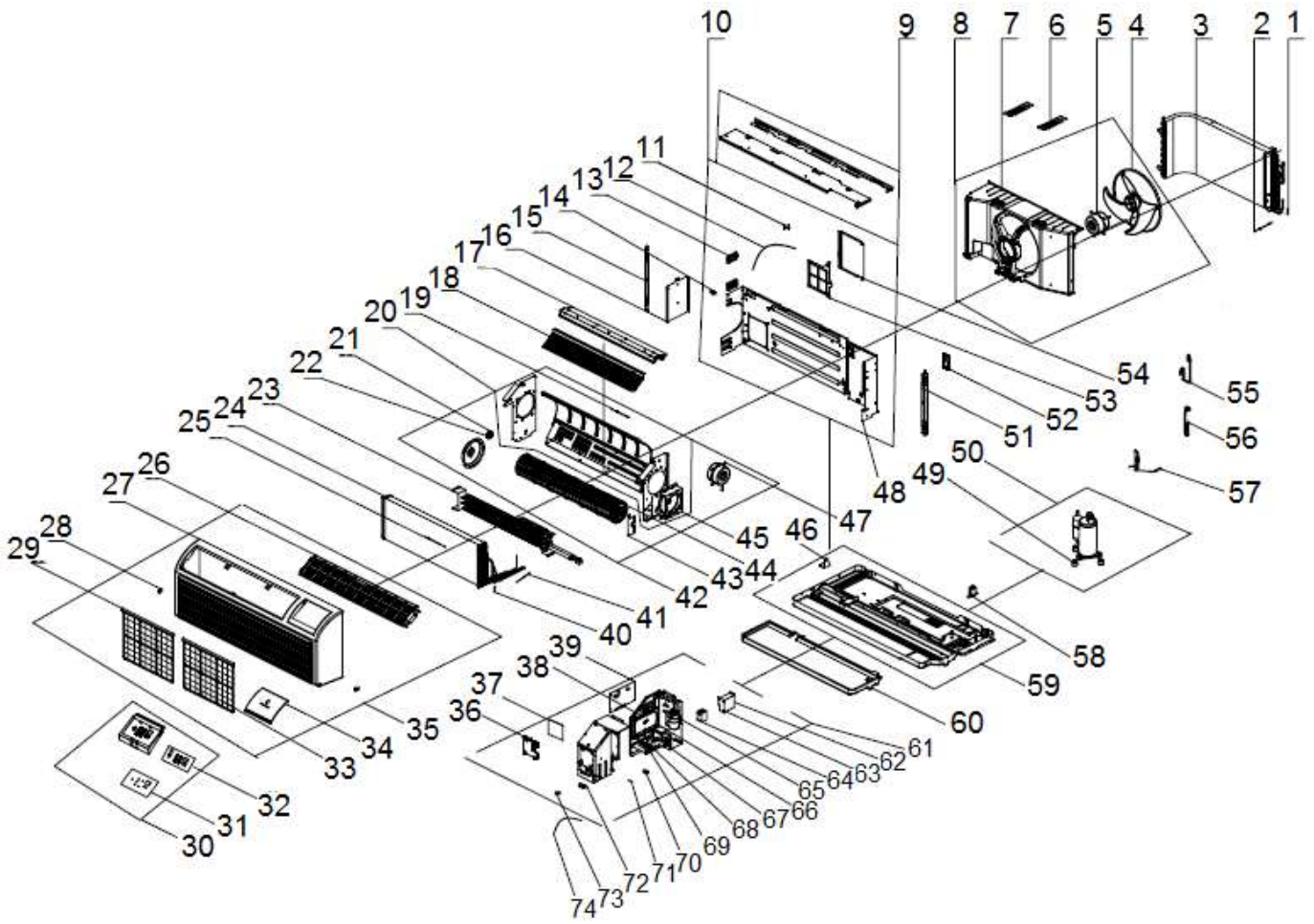
**ETAC2-07HC230VA-A (Cont.)**  
**7,000 BTUH Heat/Cool 208/230v Model**  
**Product Code: GAE07AE-D3NRNB5G**

NO.	Part Code	Part Description	Qty
40	05212423	Temperature Sensor Sleeve	1
41	390000596	Indoor Coil Temperature Sensor	1
42	01221026	Air Flue Assy	1
43	02111009	Heater Wiring Block Board	1
44	10351004	Indoor Blower Wheel (Cross Flow)	1
45	01701014P	Fan Motor Support Sub-Assy	1
46	01741023	Condenser Coil Mounting Bracket	1
47	1501180209	Indoor Fan Motor	1
48	0123115801	Main Partition Wall	1
49	00101349	Compressor	1
50	76710287	Compressor Grommets	3
Not Shown	00181156	Compressor Overload Protection	1
51	01701039	Wall Sleeve Mounting Bracket (Right)	1
52	26111215	Wire Cover Housing	1
53	11121607	Vent Filter Sub-Assy	1
54	01441018P	Vent Air Door	1
55	03631666	Suction/Inhalation Tube	1
56	03511010	Discharge Tube 1	1
57	03000600079	Capillary Sub-Assy	1
58	07101001	Drain Valve	1
59	01201241P	Base Pan Sub-Assy	1
60	12311048	Condensate Foam Pan (Water Tray)	1
61	10000200006302	Electric Control Box Assy	1
62	01411050	Junction Box	1
63	01251015	Junction Cover	1
64	4402033402	Power Relay	1
65	3301074702	Capacitor CBB61S	1
66	43110270	Transformer	1
67	3300008111	Capacitor CBB65	1
68	3301074716	Capacitor CBB61	1
69	42011103	Terminal Board	2
70	49010252	Heat Sink/Radiator	1
71	46010055	Fuse	1
72	42010039S	Thermostat Wiring Terminal Block (7-pins)	1
73	42010037	EM Wiring Terminal Block (2-pins)	1
Not Shown	62261101	Control Panel Blank out Label	1
Not Shown	ETAC-REMOTE-KIT-A	Remote Control Kit	1
Not Shown	E2CORD-230V-15A	Power Cord 230V 15A	1
Not Shown	E2CORD-230V-20A	Power Cord 230V 20A	1
Not Shown	E2CORD-230V-30A	Power Cord 230V 30A	1



# ETAC2-09HC230VA-A

## 9,000 BTUH Heat/Cool 208/230v Model



**ETAC2-09HC230VA-A**  
**9,000 BTUH Heat/Cool 208/230v Model**  
Product Code: GAE09AE-D3NRNB5G

NO.	Part Code	Part Description	Qty
1	05212423	Temperature Sensor Sleeve	1
2	390000372	Outdoor Coil Temperature Sensor	1
3	01101373	Condenser Coil Assy	1
Not Shown	01100200066	Condenser Coil Assy (CP Model Only)	1
4	10331004	Outdoor Axial Flow Fan Wheel	1
5	1501104714	Outdoor Fan Motor	1
6	01381021	Condenser Shroud Support Brackets	2
7	10371218	Condenser Shroud	1
8	1037121905	Condenser Shroud Assembly	1
9	0125104201P	Top Cover Sub-Assy	1
10	0123111901	Main Partition Wall Sub-Assy	1
11	71000151	Vent Door Cable Clamp	2
12	02161505	Vent Door Cable	1
13	26231156	Vent Door Hand Lever 1	1
14	26231157	Vent Door Hand Lever 2	1
15	01701038	Wall Sleeve Mounting Bracket (Left)	1
16	01361018	Side Panel	1
17	02121029P	Discharge Air Deck Sub-Assy	1
18	01471007	Discharge Air Screen	1
19	390001982	Discharge Air Temperature Sensor	1
20	01221027P	Air Duct Sub-Assy	1
21	26151139	Blower Wheel Bearing Holder Sub-Assy	1
22	26151138	Blower Wheel Bearing Holder	1
23	32001039	Electric Heater	1
Not Shown	45040037	Electric Heater Temperature Limiter	1
Not Shown	4601038101	Electric Heater Thermal Fuse (110°C)	1
24	01001906	Evaporator Coil Assy	1
25	3900012123	Ambient Temperature Sensor	1
26	22411023	Discharge Air Grille	1
27	20001673	Front Panel	1
28	02111013	Front Panel Clip	2
29	none	Air Filter Brackets Sub-Assy	0
30	2016138202	Escutcheon Panel Sub-Assy	1
31	6306130903	Membrane Touch Pad	1
32	30562073	Display Board	1
33	11121029	Indoor Air Filter	1
34	20121070S	Control Panel Door	1
35	2000147503	Front Panel Assy	1
36	26111167	Control Board Support	1
37	30132171	Main Control Board 1	1
38	26111166	Control Board Support	1
39	30132161	Relay/Power Control Board 2	1

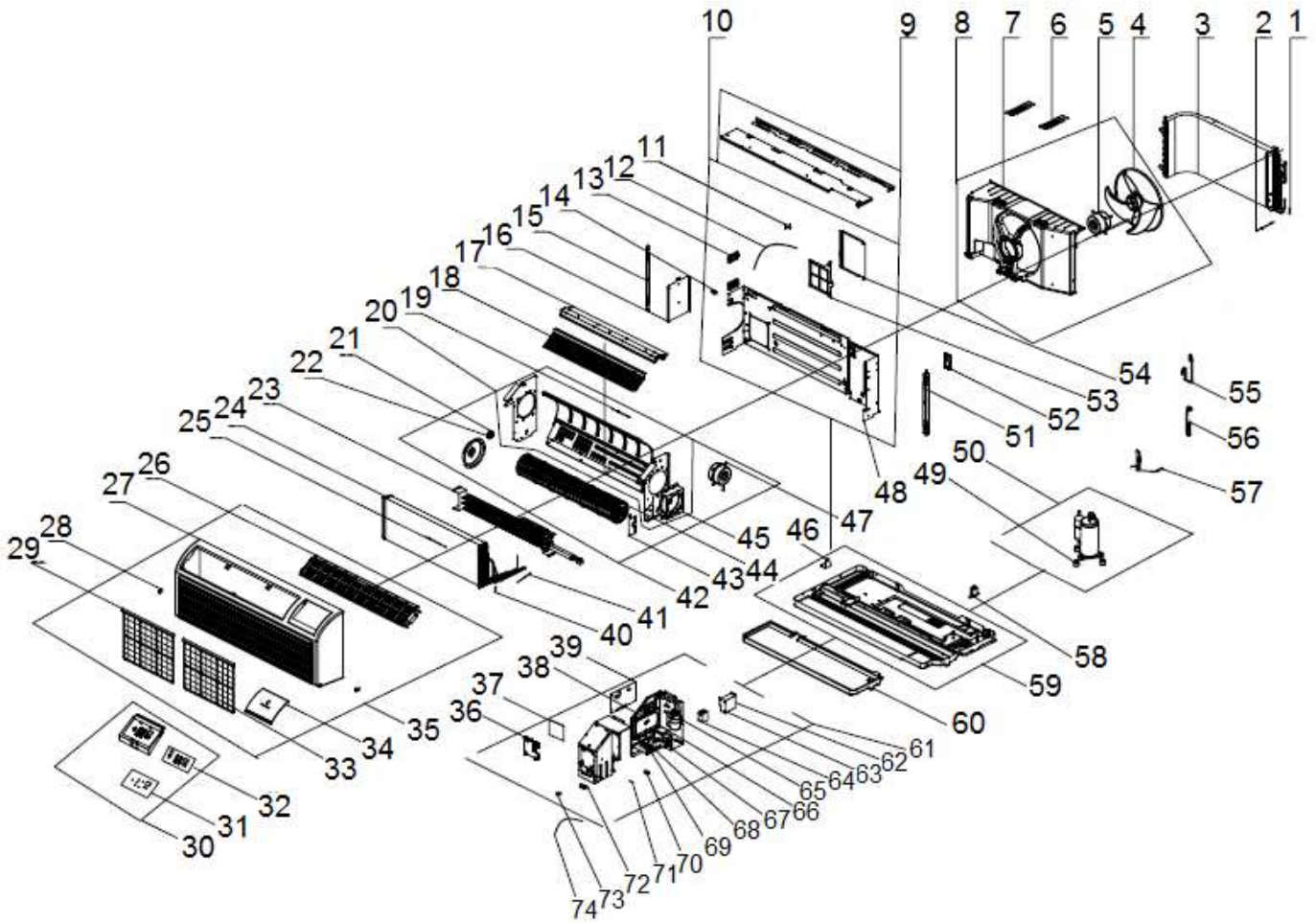


**ETAC2-09HC230VA-A (Cont.)**  
**9,000 BTUH Heat/Cool 208/230v Model**  
**Product Code: GAE09AE-D3NRNB5G**

NO.	Part Code	Part Description	Qty
40	05212423	Temperature Sensor Sleeve	1
41	390000596	Indoor Coil Temperature Sensor	1
42	0122102606	Air Flue Assy	1
43	02111009	Heater Wiring Block Board	1
44	10351004	Indoor Blower Wheel (Cross Flow)	1
45	01701014P	Fan Motor Support Sub-Assy	1
46	01741023	Condenser Coil Mounting Bracket	1
47	1501180211	Indoor Fan Motor	1
48	0123115801	Main Partition Wall	1
49	00101346	Compressor	1
50	76710287	Compressor Grommets	3
Not Shown	00183045	Compressor Overload Protection	1
51	01701039	Wall Sleeve Mounting Bracket (Right)	1
52	26111215	Wire Cover Housing	1
53	11121607	Vent Filter Sub-Assy	1
54	01441018P	Vent Air Door	1
55	03631665	Suction/Inhalation Tube	1
56	03511012	Discharge Tube 1	1
57	03000600080	Capillary Sub-Assy	1
58	07101001	Drain Valve	1
59	01201241P	Base Pan Sub-Assy	1
60	12311048	Condensate Foam Pan (Water Tray)	1
61	10000200006304	Electric Control Box Assy	1
62	01411050	Junction Box	1
63	01251015	Junction Cover	1
64	4402033402	Power Relay	1
65	3301074702	Capacitor CBB61S	1
66	43110270	Transformer	1
67	33000081	Capacitor CBB65	1
68	3301074701	Capacitor CBB61	1
69	42011103	Terminal Board	2
70	49010252	Heat Sink/Radiator	1
71	46010055	Fuse	1
72	42010039S	Thermostat Wiring Terminal Block (7-pins)	1
73	42010037	EM Wiring Terminal Block (2-pins)	1
Not Shown	62261101	Control Panel Blank out Label	1
Not Shown	ETAC-REMOTE-KIT-A	Remote Control Kit	1
Not Shown	E2CORD-230V-15A	Power Cord 230V 15A	1
Not Shown	E2CORD-230V-20A	Power Cord 230V 20A	1
Not Shown	E2CORD-230V-30A	Power Cord 230V 30A	1

# ETAC2-12HC230VA-A

## 12,000 BTUH Heat/Cool 208/230v Model



# ETAC2-12HC230VA-A

## 12,000 BTUH Heat/Cool 208/230v Model

Product Code: GAE12AE-D3NRNB5G

NO.	Part Code	Part Description	Qty
1	05212423	Temperature Sensor Sleeve	1
2	390000372	Outdoor Coil Temperature Sensor	1
3	01101372	Condenser Coil Assy	1
Not Shown	0110137201	Condenser Coil Assy (CP Model Only)	1
4	10331004	Outdoor Axial Flow Fan Wheel	1
5	15011803	Outdoor Fan Motor	1
6	01381021	Condenser Shroud Support Brackets	2
7	10371218	Condenser Shroud	1
8	1037121907	Condenser Shroud Assembly	1
9	0125104201P	Top Cover Sub-Assy	1
10	0123111901	Main Partition Wall Sub-Assy	1
11	71000151	Vent Door Cable Clamp	2
12	02161505	Vent Door Cable	1
13	26231156	Vent Door Hand Lever 1	1
14	26231157	Vent Door Hand Lever 2	1
15	01701038	Wall Sleeve Mounting Bracket (Left)	1
16	01361018	Side Panel	1
17	02121029P	Discharge Air Deck Sub-Assy	1
18	01471007	Discharge Air Screen	1
19	390001982	Discharge Air Temperature Sensor	1
20	01221027P	Air Duct Sub-Assy	1
21	26151139	Blower Wheel Bearing Holder Sub-Assy	1
22	26151138	Blower Wheel Bearing Holder	1
23	32001039	Electric Heater	1
Not Shown	45040037	Electric Heater Temperature Limiter	1
Not Shown	4601038101	Electric Heater Thermal Fuse (110°C)	1
24	01100100041	Evaporator Coil Assy	1
25	3900012123	Ambient Temperature Sensor	1
26	22411023	Discharge Air Grille	1
27	20001673	Front Panel	1
28	02111013	Front Panel Clip	2
29	none	Air Filter Brackets Sub-Assy	0
30	2016138202	Escutcheon Panel Sub-Assy	1
31	6306130903	Membrane Touch Pad	1
32	30562073	Display Board	1
33	11121029	Indoor Air Filter	1
34	20121070S	Control Panel Door	1
35	2000147503	Front Panel Assy	1
36	26111167	Control Board Support	1
37	30132171	Main Control Board 1	1
38	26111166	Control Board Support	1
39	30132161	Relay/Power Control Board 2	1

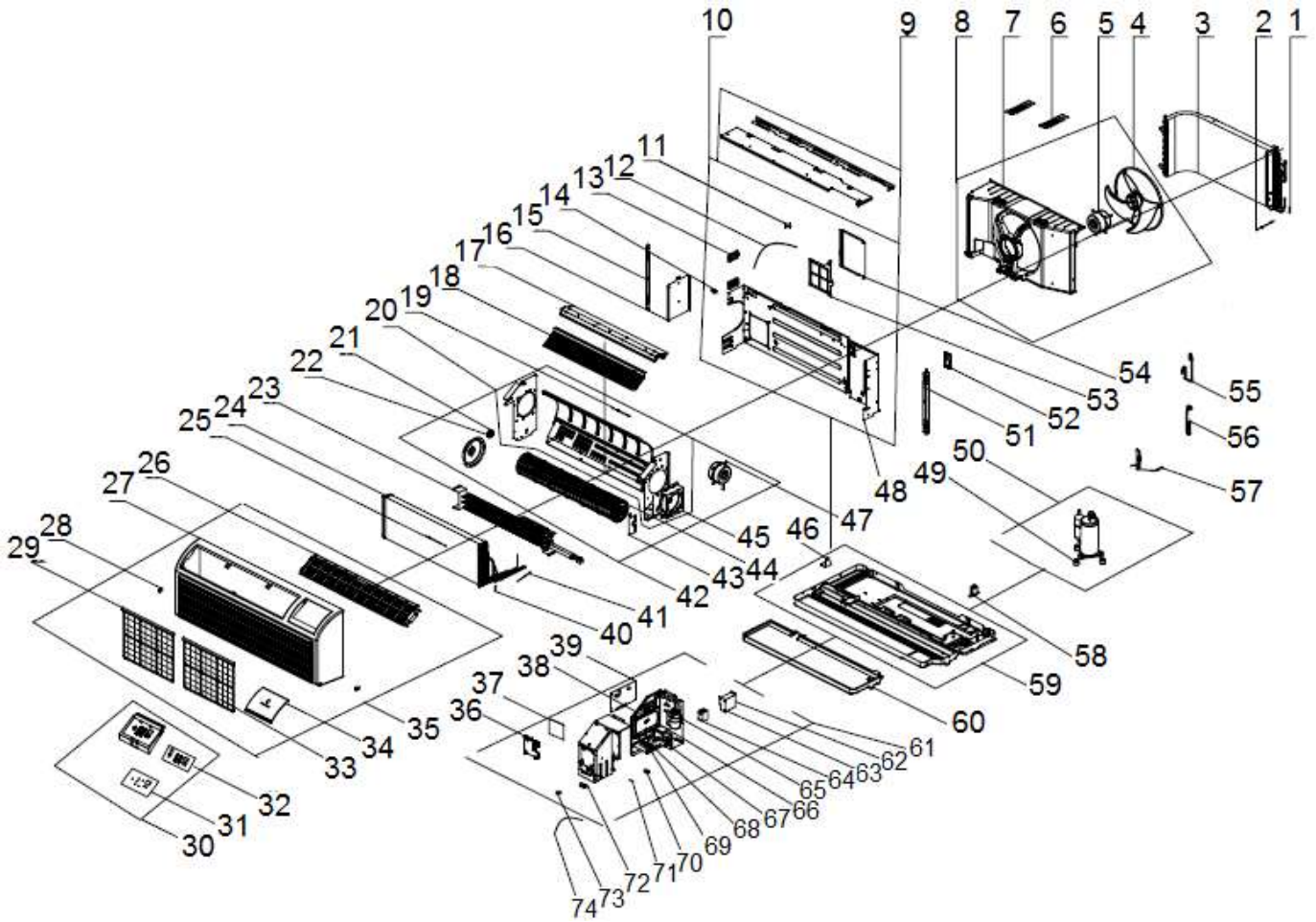
**ETAC2-12HC230VA-A (Cont.)**  
**12,000 BTUH Heat/Cool 208/230v Model**

Product Code: GAE12AE-D3NRNB5G

NO.	Part Code	Part Description	Qty
40	05212423	Temperature Sensor Sleeve	1
41	390000596	Indoor Coil Temperature Sensor	1
42	0122102602	Air Flue Assy	1
43	02111009	Heater Wiring Block Board	1
44	10351004	Indoor Blower Wheel (Cross Flow)	1
45	01701014P	Fan Motor Support Sub-Assy	1
46	01741023	Condenser Coil Mounting Bracket	1
47	1501180213	Indoor Fan Motor	1
48	0123115801	Main Partition Wall	1
49	00101350	Compressor	1
50	76710287	Compressor Grommets	3
Not Shown	00180240	Compressor Overload Protection	1
51	01701039	Wall Sleeve Mounting Bracket (Right)	1
52	26111215	Wire Cover Housing	1
53	11121607	Vent Filter Sub-Assy	1
54	01441018P	Vent Air Door	1
55	03521020	Suction/Inhalation Tube	1
56	03511003	Discharge Tube 1	1
57	03000600104	Capillary Sub-Assy	1
58	07101001	Drain Valve	1
59	01201241P	Base Pan Sub-Assy	1
60	12311048	Condensate Foam Pan (Water Tray)	1
61	100002000063	Electric Control Box Assy	1
62	01411050	Junction Box	1
63	01251015	Junction Cover	1
64	4402033402	Power Relay	1
65	3301074710	Capacitor CBB61S	1
66	43110270	Transformer	1
67	3300008101	Capacitor CBB65	1
68	3301074716	Capacitor CBB61	1
69	42011103	Terminal Board	2
70	49010252	Heat Sink/Radiator	1
71	46010055	Fuse	1
72	42010039S	Thermostat Wiring Terminal Block (7-pins)	1
73	42010037	EM Wiring Terminal Block (2-pins)	1

# ETAC2-15HC230VA-A

## 15,000 BTUH Heat/Cool 208/230v Model



**ETAC2-15HC230VA-A**  
**15,000 BTUH Heat/Cool 208/230v Model**  
Product Code: GAE15AE-D3NRNB5G

NO.	Part Code	Part Description	Qty
1	05212423	Temperature Sensor Sleeve	1
2	390000372	Outdoor Coil Temperature Sensor	1
3	01101372	Condenser Coil Assy	1
Not Shown	0110137201	Condenser Coil Assy (CP Model Only)	1
4	10331004	Outdoor Axial Flow Fan Wheel	1
5	15011803	Outdoor Fan Motor	1
6	01381021	Condenser Shroud Support Brackets	2
7	10371218	Condenser Shroud	1
8	1037121907	Condenser Shroud Assembly	1
9	0125104201P	Top Cover Sub-Assy	1
10	0123111901	Main Partition Wall Sub-Assy	1
11	71000151	Vent Door Cable Clamp	2
12	02161505	Vent Door Cable	1
13	26231156	Vent Door Hand Lever 1	1
14	26231157	Vent Door Hand Lever 2	1
15	01701038	Wall Sleeve Mounting Bracket (Left)	1
16	01361018	Side Panel	1
17	02121029P	Discharge Air Deck Sub-Assy	1
18	01471007	Discharge Air Screen	1
19	390001982	Discharge Air Temperature Sensor	1
20	01221027P	Air Duct Sub-Assy	1
21	26151139	Blower Wheel Bearing Holder Sub-Assy	1
22	26151138	Blower Wheel Bearing Holder	1
23	32001039	Electric Heater	1
Not Shown	45040037	Electric Heater Temperature Limiter	1
Not Shown	4601038101	Electric Heater Thermal Fuse (110°C)	1
24	01100100041	Evaporator Coil Assy	1
25	3900012123	Ambient Temperature Sensor	1
26	22411023	Discharge Air Grille	1
27	20001673	Front Panel	1
28	02111013	Front Panel Clip	2
29	none	Air Filter Brackets Sub-Assy	0
30	2016138202	Escutcheon Panel Sub-Assy	1
31	6306130903	Membrane Touch Pad	1
32	30562073	Display Board	1
33	11121029	Indoor Air Filter	1
34	20121070S	Control Panel Door	1
35	2000147503	Front Panel Assy	1
36	26111167	Control Board Support	1
37	30132171	Main Control Board 1	1
38	26111166	Control Board Support	1
39	30132161	Relay/Power Control Board 2	1

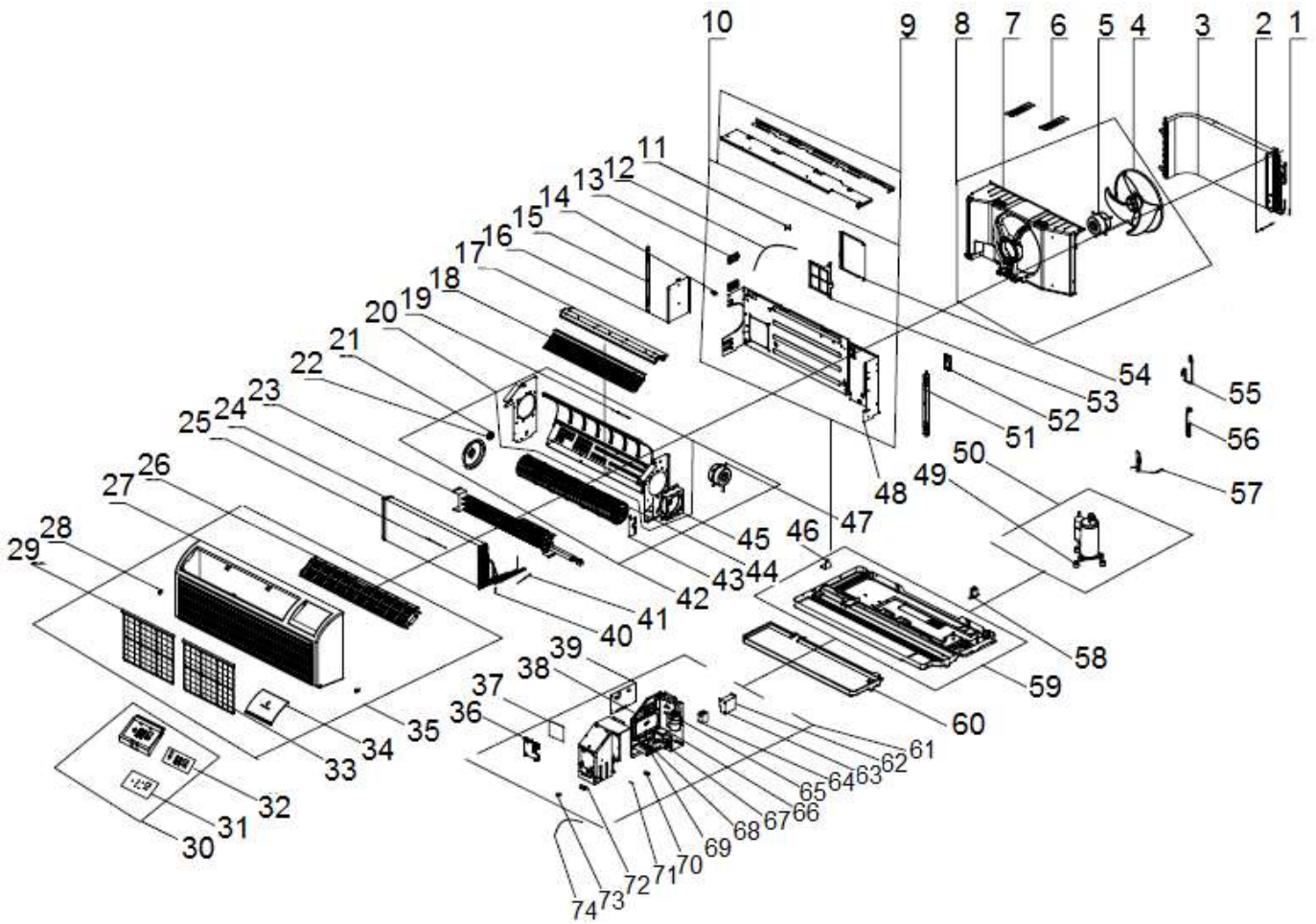


**ETAC2-15HC230VA-A (Cont.)**  
**15,000 BTUH Heat/Cool 208/230v Model**  
**Product Code: GAE15AE-D3NRNB5G**

NO.	Part Code	Part Description	Qty
40	05212423	Temperature Sensor Sleeve	1
41	390000596	Indoor Coil Temperature Sensor	1
42	0122102602	Air Flue Assy	1
43	02111009	Heater Wiring Block Board	1
44	10351004	Indoor Blower Wheel (Cross Flow)	1
45	01701014P	Fan Motor Support Sub-Assy	1
46	01741023	Condenser Coil Mounting Bracket	1
47	1501180213	Indoor Fan Motor	1
48	0123115801	Main Partition Wall	1
49	00101348	Compressor	1
50	76710287	Compressor Grommets	3
Not Shown	00183121	Compressor Overload Protection	1
51	01701039	Wall Sleeve Mounting Bracket (Right)	1
52	26111215	Wire Cover Housing	1
53	11121607	Vent Filter Sub-Assy	1
54	01441018P	Vent Air Door	1
55	03521021	Suction/Inhalation Tube	1
56	03511003	Discharge Tube 1	1
57	03000600176	Capillary Sub-Assy	1
58	07101001	Drain Valve	1
59	01201241P	Base Pan Sub-Assy	1
60	12311048	Condensate Foam Pan (Water Tray)	1
61	100002000063	Electric Control Box Assy	1
62	01411050	Junction Box	1
63	01251015	Junction Cover	1
64	4402033402	Power Relay	1
65	3301074710	Capacitor CBB61S	1
66	43110270	Transformer	1
67	3300008101	Capacitor CBB65	1
68	3301074716	Capacitor CBB61	1
69	42011103	Terminal Board	2
70	49010252	Heat Sink/Radiator	1
71	46010055	Fuse	1
72	42010039S	Thermostat Wiring Terminal Block (7-pins)	1
73	42010037	EM Wiring Terminal Block (2-pins)	1
Not Shown	62261101	Control Panel Blank out Label	1
Not Shown	ETAC-REMOTE-KIT-A	Remote Control Kit	1
Not Shown	E2CORD-230V-15A	Power Cord 230V 15A	1
Not Shown	E2CORD-230V-20A	Power Cord 230V 20A	1
Not Shown	E2CORD-230V-30A	Power Cord 230V 30A	1

# ETAC2-07HC265VA-A

## 7,000 BTUH Heat/Cool 265v Model



**ETAC2-07HC265VA-A**  
**7,000 BTUH Heat/Cool 265v Model**  
Product Code: GAE07AE-P3NRNB5G

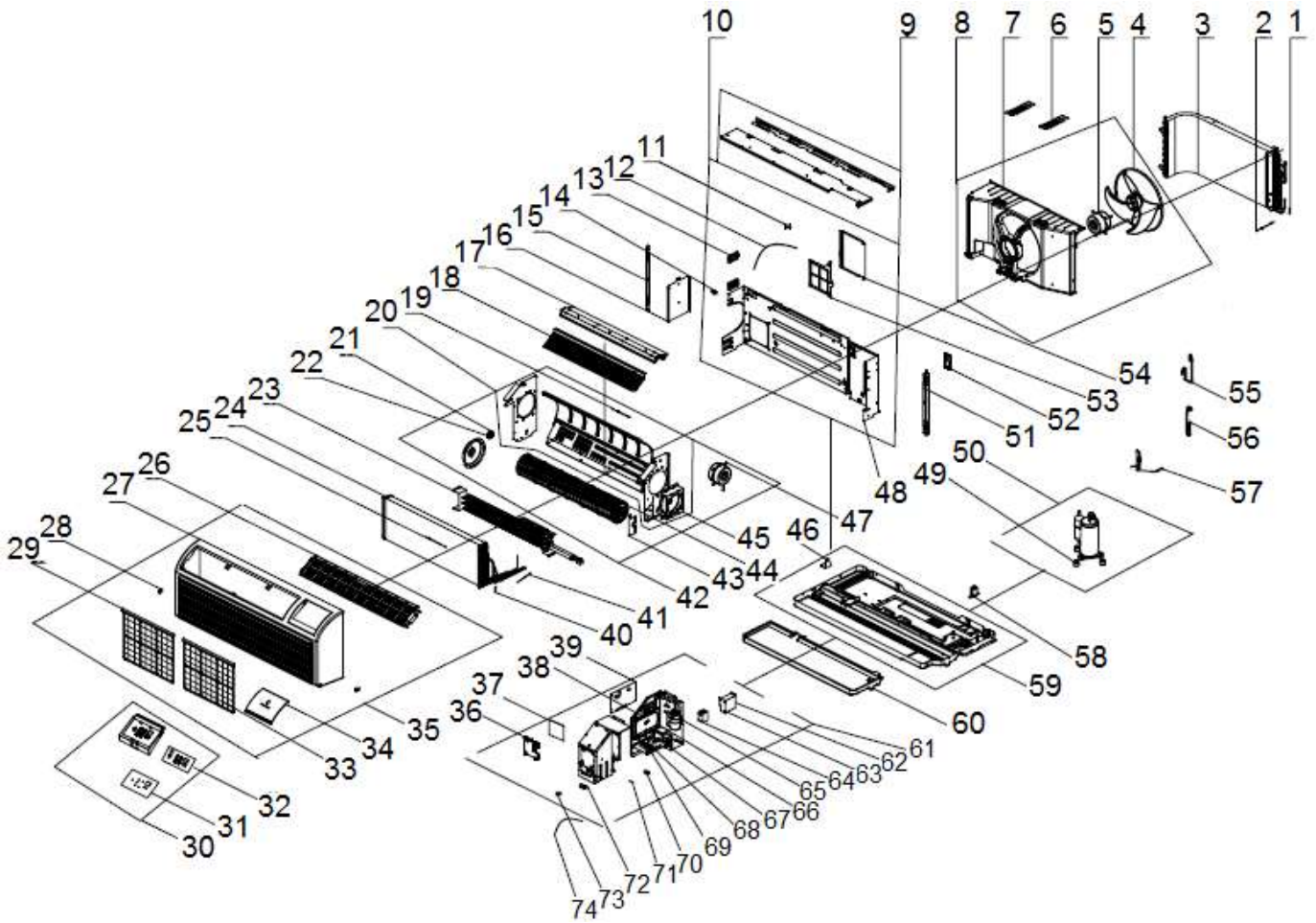
NO.	Part Code	Part Description	Qty
1	05212423	Temperature Sensor Sleeve	1
2	390000372	Outdoor Coil Temperature Sensor	1
3	01101373	Condenser Coil Assy	1
Not Shown	01100200066	Condenser Coil Assy (CP Model Only)	1
4	10331004	Outdoor Axial Flow Fan Wheel	1
5	1501104715	Outdoor Fan Motor	1
6	01381021	Condenser Shroud Support Brackets	2
7	10371218	Condenser Shroud	1
8	1037121910	Condenser Shroud Assembly	1
9	0125104201P	Top Cover Sub-Assy	1
10	0123111901	Main Partition Wall Sub-Assy	1
11	71000151	Vent Door Cable Clamp	2
12	02161505	Vent Door Cable	1
13	26231156	Vent Door Hand Lever 1	1
14	26231157	Vent Door Hand Lever 2	1
15	01701038	Wall Sleeve Mounting Bracket (Left)	1
16	01361018	Side Panel	1
17	02121029P	Discharge Air Deck Sub-Assy	1
18	01471007	Discharge Air Screen	1
19	390001982	Discharge Air Temperature Sensor	1
20	01221027P	Air Duct Sub-Assy	1
21	26151139	Blower Wheel Bearing Holder Sub-Assy	1
22	26151138	Blower Wheel Bearing Holder	1
23	3200103901	Electric Heater	1
Not Shown	45040037	Electric Heater Temperature Limiter	1
Not Shown	4601038101	Electric Heater Thermal Fuse (110°C)	1
24	0110010004301	Evaporator Coil Assy	1
25	3900012123	Ambient Temperature Sensor	1
26	22411023	Discharge Air Grille	1
27	20001673	Front Panel	1
28	02111013	Front Panel Clip	2
29	none	Air Filter Brackets Sub-Assy	0
30	2016138202	Escutcheon Panel Sub-Assy	1
31	6306130903	Membrane Touch Pad	1
32	30562073	Display Board	1
33	11121029	Indoor Air Filter	1
34	20121070S	Control Panel Door	1
35	2000147503	Front Panel Assy	1
36	26111167	Control Board Support	1
37	30132171	Main Control Board 1	1
38	26111166	Control Board Support	1
39	30132164	Relay/Power Control Board 2	1

**ETAC2-07HC265VA-A (Cont.)**  
**7,000 BTUH Heat/Cool 265v Model**  
**Product Code: GAE07AE-P3NRNB5G**

NO.	Part Code	Part Description	Qty
40	05212423	Temperature Sensor Sleeve	1
41	390000596	Indoor Coil Temperature Sensor	1
42	0122102603	Air Flue Assy	1
43	02111009	Heater Wiring Block Board	1
44	10351004	Indoor Blower Wheel (Cross Flow)	1
45	01701014P	Fan Motor Support Sub-Assy	1
46	01741023	Condenser Coil Mounting Bracket	1
47	1501180210	Indoor Fan Motor	1
48	0123115801	Main Partition Wall	1
49	00101404	Compressor	1
50	76710287	Compressor Grommets	3
Not Shown	00181175	Compressor Overload Protection	1
51	01701039	Wall Sleeve Mounting Bracket (Right)	1
52	26111215	Wire Cover Housing	1
53	11121607	Vent Filter Sub-Assy	1
54	01441018P	Vent Air Door	1
55	03500600643	Suction/Inhalation Tube 1	1
56	03511010	Discharge Tube 1	1
57	03000600111	Capillary Sub-Assy	1
58	07101001	Drain Valve	1
59	01201241P	Base Pan Sub-Assy	1
60	12311048	Condensate Foam Pan (Water Tray)	1
61	100002000064	Electric Control Box Assy	1
62	01411050	Junction Box	1
63	01251015	Junction Cover	1
64	4402033402	Power Relay	1
65	3301074701	Capacitor CBB61S	1
66	43110269	Transformer	1
67	3300008111	Capacitor CBB65	1
68	3301074716	Capacitor CBB61	1
69	42011103	Terminal Board	2
70	49010252	Heat Sink/Radiator	1
71	46010022	Fuse	1
72	42010039S	Thermostat Wiring Terminal Block (7-pins)	1
73	42010037	EM Wiring Terminal Block (2-pins)	1
Not Shown	62261101	Control Panel Blank out Label	1
Not Shown	ETAC-REMOTE-KIT-A	Remote Control Kit	1
Not Shown	E2CORD-265V-15A	Power Cord 265V 15A	1
Not Shown	E2CORD-265V-20A	Power Cord 265V 20A	1
Not Shown	E2CORD-265V-30A	Power Cord 265V 30A	1

# ETAC2-09HC265VA-A

## 9,000 BTUH Heat/Cool 265v Model



# ETAC2-09HC265VA-A

## 9,000 BTUH Heat/Cool 265v Model

Product Code: GAE09AE-P3NRNB5G

NO.	Part Code	Part Description	Qty
1	05212423	Temperature Sensor Sleeve	1
2	390000372	Outdoor Coil Temperature Sensor	1
3	01101373	Condenser Coil Assy	1
Not Shown	01100200066	Condenser Coil Assy (CP Model Only)	1
4	10331004	Outdoor Axial Flow Fan Wheel	1
5	1501104715	Outdoor Fan Motor	1
6	01381021	Condenser Shroud Support Brackets	2
7	10371218	Condenser Shroud	1
8	1037121910	Condenser Shroud Assembly	1
9	0125104201P	Top Cover Sub-Assy	1
10	0123111901	Main Partition Wall Sub-Assy	1
11	71000151	Vent Door Cable Clamp	2
12	02161505	Vent Door Cable	1
13	26231156	Vent Door Hand Lever 1	1
14	26231157	Vent Door Hand Lever 2	1
15	01701038	Wall Sleeve Mounting Bracket (Left)	1
16	01361018	Side Panel	1
17	02121029P	Discharge Air Deck Sub-Assy	1
18	01471007	Discharge Air Screen	1
19	390001982	Discharge Air Temperature Sensor	1
20	01221027P	Air Duct Sub-Assy	1
21	26151139	Blower Wheel Bearing Holder Sub-Assy	1
22	26151138	Blower Wheel Bearing Holder	1
23	3200103901	Electric Heater	1
Not Shown	45040037	Electric Heater Temperature Limiter	1
Not Shown	4601038101	Electric Heater Thermal Fuse (110°C)	1
24	0100190601	Evaporator Coil Assy	1
25	3900012123	Ambient Temperature Sensor	1
26	22411023	Discharge Air Grille	1
27	20001673	Front Panel	1
28	02111013	Front Panel Clip	2
29	none	Air Filter Brackets Sub-Assy	0
30	2016138202	Escutcheon Panel Sub-Assy	1
31	6306130903	Membrane Touch Pad	1
32	30562073	Display Board	1
33	11121029	Indoor Air Filter	1
34	20121070S	Control Panel Door	1
35	2000147503	Front Panel Assy	1
36	26111167	Control Board Support	1
37	30132171	Main Control Board 1	1
38	26111166	Control Board Support	1
39	30132164	Relay/Power Control Board 2	1



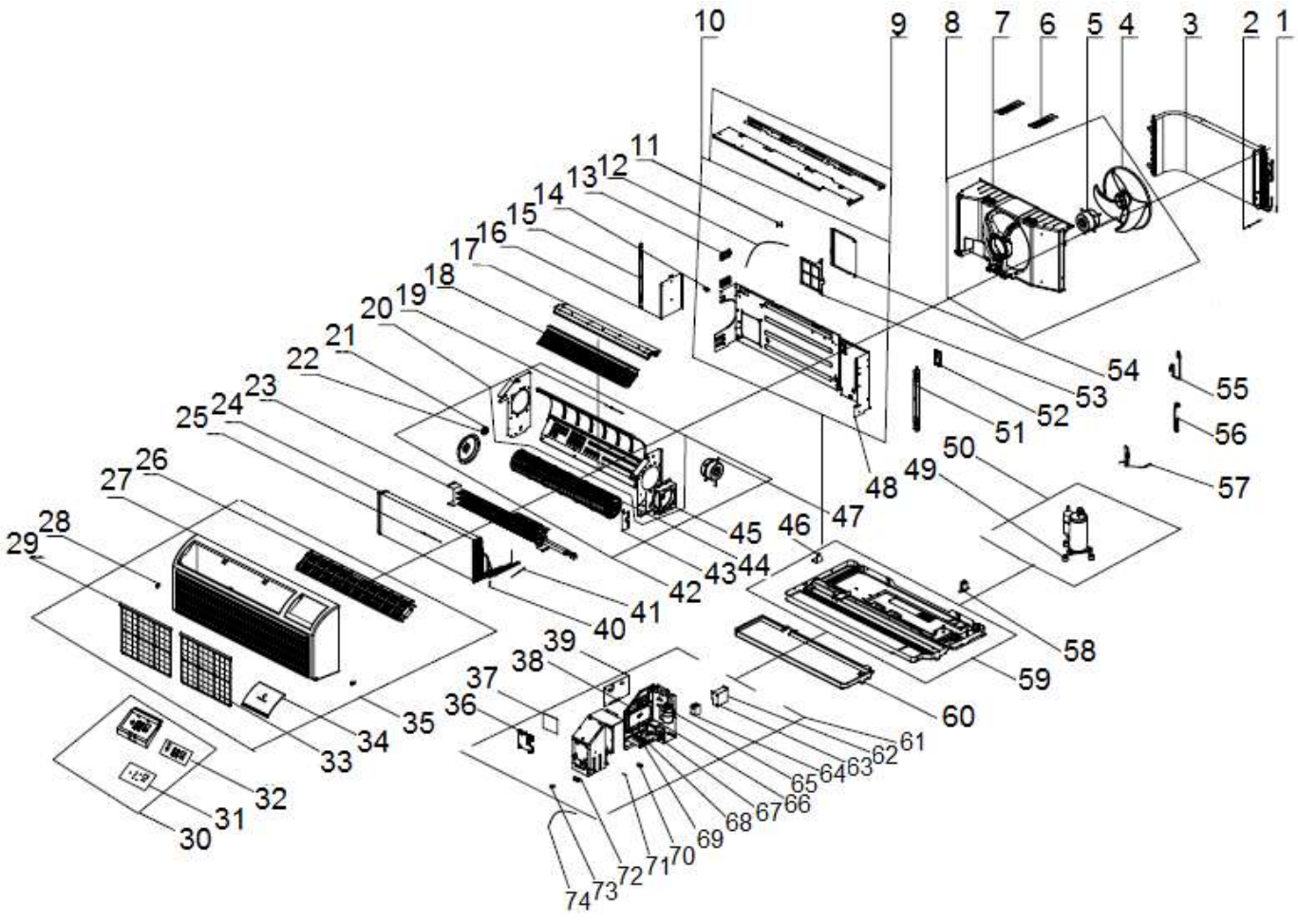
## ETAC2-09HC265VA-A (Cont.) 9,000 BTUH Heat/Cool 265v Model

Product Code: GAE09AE-P3NRNB5G

NO.	Part Code	Part Description	Qty
40	05212423	Temperature Sensor Sleeve	1
41	390000596	Indoor Coil Temperature Sensor	1
42	0122102604	Air Flue Assy	1
43	02111009	Heater Wiring Block Board	1
44	10351004	Indoor Blower Wheel (Cross Flow)	1
45	01701014P	Fan Motor Support Sub-Assy	1
46	01741023	Condenser Coil Mounting Bracket	1
47	1501180212	Indoor Fan Motor	1
48	0123115801	Main Partition Wall	1
49	00101376	Compressor	1
50	76710287	Compressor Grommets	3
Not Shown	00183045	Compressor Overload Protection	1
51	01701039	Wall Sleeve Mounting Bracket (Right)	1
52	26111215	Wire Cover Housing	1
53	11121607	Vent Filter Sub-Assy	1
54	01441018P	Vent Air Door	1
55	03631665	Suction/Inhalation Tube	1
56	03511012	Discharge Tube 1	1
57	03000600080	Capillary Sub-Assy	1
58	07101001	Drain Valve	1
59	01201241P	Base Pan Sub-Assy	1
60	12311048	Condensate Foam Pan (Water Tray)	1
61	10000200006401	Electric Control Box Assy	1
62	01411050	Junction Box	1
63	01251015	Junction Cover	1
64	4402033402	Power Relay	1
65	3301074701	Capacitor CBB61S	1
66	43110269	Transformer	1
67	3300002241	Capacitor CBB65	1
68	3301074701	Capacitor CBB61	1
69	42011103	Terminal Board	2
70	49010252	Heat Sink/Radiator	1
71	46010022	Fuse	1
72	42010039S	Thermostat Wiring Terminal Block (7-pins)	1
73	42010037	EM Wiring Terminal Block (2-pins)	1
Not Shown	62261101	Control Panel Blank out Label	1
Not Shown	ETAC-REMOTE-KIT-A	Remote Control Kit	1
Not Shown	E2CORD-265V-15A	Power Cord 265V 15A	1
Not Shown	E2CORD-265V-20A	Power Cord 265V 20A	1
Not Shown	E2CORD-265V-30A	Power Cord 265V 30A	1

# ETAC2-12HC265VA-A

## 12,000 BTUH Heat/Cool 265v Model



# ETAC2-12HC265VA-A

## 12,000 BTUH Heat/Cool 265v Model

Product Code: GAE12AE-P3NRNB5G

NO.	Part Code	Part Description	Qty
1	05212423	Temperature Sensor Sleeve	1
2	390000372	Outdoor Coil Temperature Sensor	1
3	01101372	Condenser Coil Assy	1
Not Shown	0110137201	Condenser Coil Assy (CP Model Only)	1
4	10331004	Outdoor Axial Flow Fan Wheel	1
5	1501104716	Outdoor Fan Motor	1
6	01381021	Condenser Shroud Support Brackets	2
7	10371218	Condenser Shroud	1
8	1037121909	Condenser Shroud Assembly	1
9	0125104201P	Top Cover Sub-Assy	1
10	0123111901	Main Partition Wall Sub-Assy	1
11	71000151	Vent Door Cable Clamp	2
12	02161505	Vent Door Cable	1
13	26231156	Vent Door Hand Lever 1	1
14	26231157	Vent Door Hand Lever 2	1
15	01701038	Wall Sleeve Mounting Bracket (Left)	1
16	01361018	Side Panel	1
17	02121029P	Discharge Air Deck Sub-Assy	1
18	01471007	Discharge Air Screen	1
19	390001982	Discharge Air Temperature Sensor	1
20	01221027P	Air Duct Sub-Assy	1
21	26151139	Blower Wheel Bearing Holder Sub-Assy	1
22	26151138	Blower Wheel Bearing Holder	1
23	3200103901	Electric Heater	1
Not Shown	45040037	Electric Heater Temperature Limiter	1
Not Shown	4601038101	Electric Heater Thermal Fuse (110°C)	1
24	01100100041	Evaporator Coil Assy	1
25	3900012123	Ambient Temperature Sensor	1
26	22411023	Discharge Air Grille	1
27	20001673	Front Panel	1
28	02111013	Front Panel Clip	2
29	none	Air Filter Brackets Sub-Assy	0
30	2016138202	Escutcheon Panel Sub-Assy	1
31	6306130903	Membrane Touch Pad	1
32	30562073	Display Board	1
33	11121029	Indoor Air Filter	1
34	20121070S	Control Panel Door	1
35	2000147503	Front Panel Assy	1
36	26111167	Control Board Support	1
37	30132171	Main Control Board 1	1
38	26111166	Control Board Support	1
39	30132164	Relay/Power Control Board 2	1

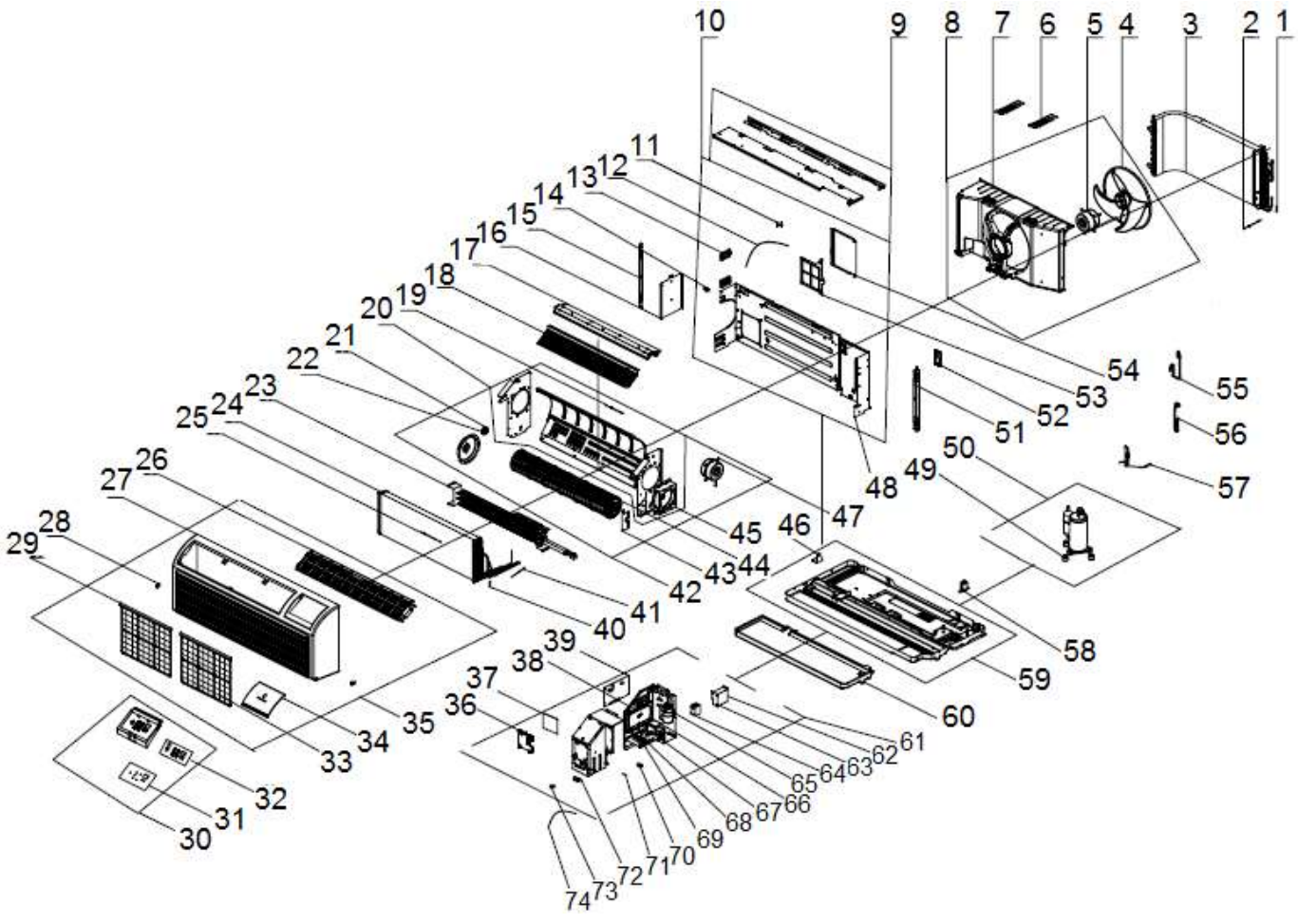
## ETAC2-12HC265VA-A (Cont.) 12,000 BTUH Heat/Cool 265v Model

Product Code: GAE12AE-P3NRNB5G

NO.	Part Code	Part Description	Qty
40	05212423	Temperature Sensor Sleeve	1
41	390000596	Indoor Coil Temperature Sensor	1
42	0122102621	Air Flue Assy	1
43	02111009	Heater Wiring Block Board	1
44	10351004	Indoor Blower Wheel (Cross Flow)	1
45	01701014P	Fan Motor Support Sub-Assy	1
46	01741023	Condenser Coil Mounting Bracket	1
47	1501180214	Indoor Fan Motor	1
48	0123115801	Main Partition Wall	1
49	00101377	Compressor	1
50	76710287	Compressor Grommets	3
Not Shown	00183045	Compressor Overload Protection	1
51	01701039	Wall Sleeve Mounting Bracket (Right)	1
52	26111215	Wire Cover Housing	1
53	11121607	Vent Filter Sub-Assy	1
54	01441018P	Vent Air Door	1
55	03500600167	Suction/Inhalation Tube	1
56	03500800162	Discharge Tube 1	1
57	03000600104	Capillary Sub-Assy	1
58	07101001	Drain Valve	1
59	01201241P	Base Pan Sub-Assy	1
60	12311048	Condensate Foam Pan (Water Tray)	1
61	10000200006403	Electric Control Box Assy	1
62	01411050	Junction Box	1
63	01251015	Junction Cover	1
64	4402033402	Power Relay	1
65	3301074710	Capacitor CBB61S	1
66	43110269	Transformer	1
67	33000081	Capacitor CBB65	1
68	3301074701	Capacitor CBB61	1
69	42011103	Terminal Board	2
70	49010252	Heat Sink/Radiator	1
71	46010022	Fuse	1
72	42010039S	Thermostat Wiring Terminal Block (7-pins)	1
73	42010037	EM Wiring Terminal Block (2-pins)	1
Not Shown	62261101	Control Panel Blank out Label	1
Not Shown	ETAC-REMOTE-KIT-A	Remote Control Kit	1
Not Shown	E2CORD-265V-15A	Power Cord 265V 15A	1
Not Shown	E2CORD-265V-20A	Power Cord 265V 20A	1
Not Shown	E2CORD-265V-30A	Power Cord 265V 30A	1

# ETAC2-15HC265VA-A

## 15,000 BTUH Heat/Cool 265v Model



# ETAC2-15HC265VA-A

## 15,000 BTUH Heat/Cool 265v Model

Product Code: GAE15AE-P3NRNB5G

NO.	Part Code	Part Description	Qty
1	05212423	Temperature Sensor Sleeve	1
2	390000372	Outdoor Coil Temperature Sensor	1
3	01101372	Condenser Coil Assy	1
Not Shown	0110137201	Condenser Coil Assy (CP Model Only)	1
4	10331004	Outdoor Axial Flow Fan Wheel	1
5	1501104716	Outdoor Fan Motor	1
6	01381021	Condenser Shroud Support Brackets	2
7	10371218	Condenser Shroud	1
8	1037121909	Condenser Shroud Assembly	1
9	0125104201P	Top Cover Sub-Assy	1
10	0123111901	Main Partition Wall Sub-Assy	1
11	71000151	Vent Door Cable Clamp	2
12	02161505	Vent Door Cable	1
13	26231156	Vent Door Hand Lever 1	1
14	26231157	Vent Door Hand Lever 2	1
15	01701038	Wall Sleeve Mounting Bracket (Left)	1
16	01361018	Side Panel	1
17	02121029P	Discharge Air Deck Sub-Assy	1
18	01471007	Discharge Air Screen	1
19	390001982	Discharge Air Temperature Sensor	1
20	01221027P	Air Duct Sub-Assy	1
21	26151139	Blower Wheel Bearing Holder Sub-Assy	1
22	26151138	Blower Wheel Bearing Holder	1
23	3200103901	Electric Heater	1
Not Shown	45040037	Electric Heater Temperature Limiter	1
Not Shown	4601038101	Electric Heater Thermal Fuse (110°C)	1
24	01100100041	Evaporator Coil Assy	1
25	3900012123	Ambient Temperature Sensor	1
26	22411023	Discharge Air Grille	1
27	20001673	Front Panel	1
28	02111013	Front Panel Clip	2
29	none	Air Filter Brackets Sub-Assy	0
30	2016138202	Escutcheon Panel Sub-Assy	1
31	6306130903	Membrane Touch Pad	1
32	30562073	Display Board	1
33	11121029	Indoor Air Filter	1
34	20121070S	Control Panel Door	1
35	2000147503	Front Panel Assy	1
36	26111167	Control Board Support	1
37	30132171	Main Control Board 1	1
38	26111166	Control Board Support	1
39	30132164	Relay/Power Control Board 2	1



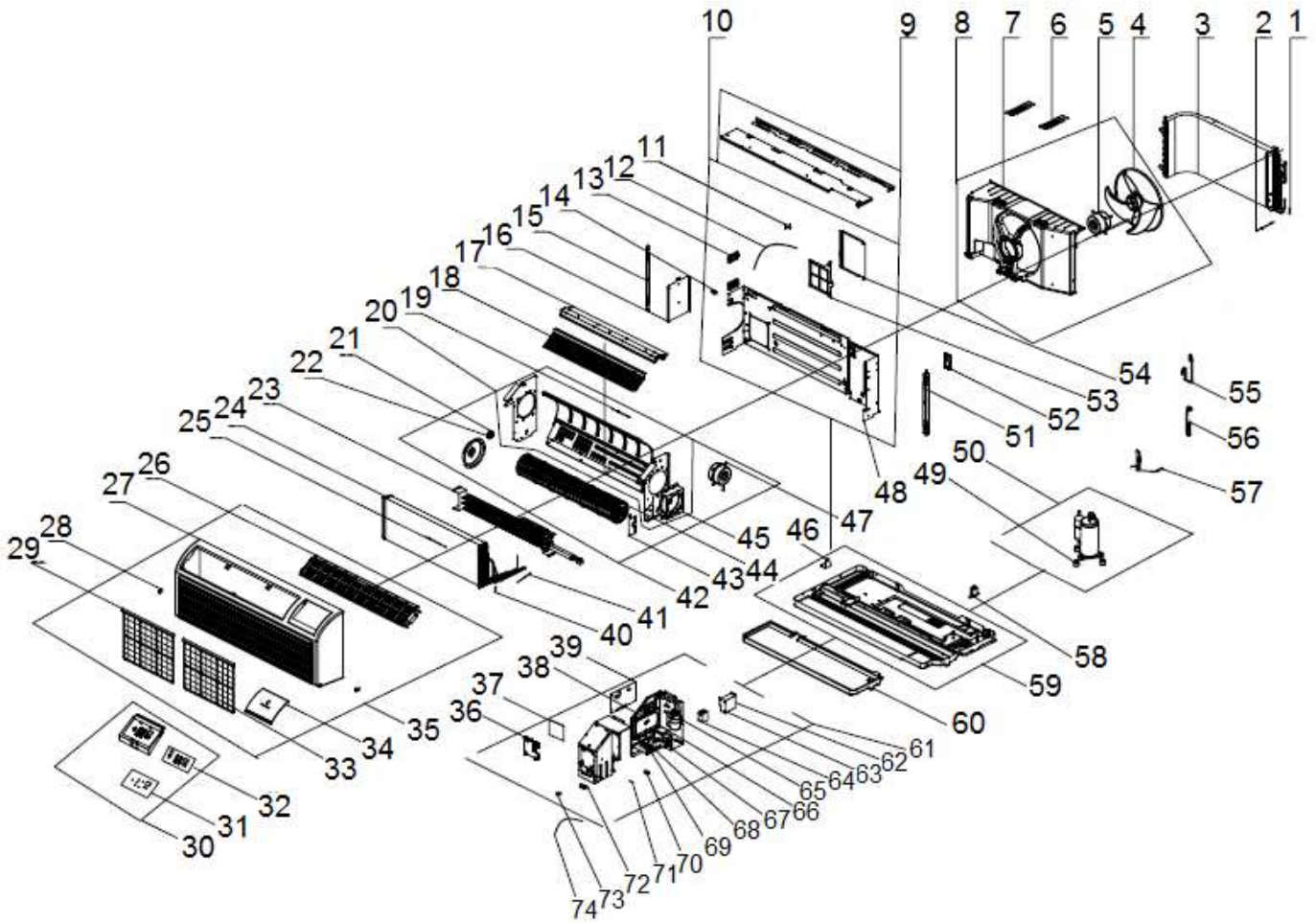
**ETAC2-15HC265VA-A (Cont.)**  
**15,000 BTUH Heat/Cool 265v Model**

Product Code: GAE15AE-P3NRNB5G

NO.	Part Code	Part Description	Qty
40	05212423	Temperature Sensor Sleeve	1
41	390000596	Indoor Coil Temperature Sensor	1
42	0122102605	Air Flue Assy	1
43	02111009	Heater Wiring Block Board	1
44	10351004	Indoor Blower Wheel (Cross Flow)	1
45	01701014P	Fan Motor Support Sub-Assy	1
46	01741023	Condenser Coil Mounting Bracket	1
47	1501180214	Indoor Fan Motor	1
48	0123115801	Main Partition Wall	1
49	00101378	Compressor	1
50	76710223	Compressor Grommets	3
Not Shown	00181176	Compressor Overload Protection	1
51	01701039	Wall Sleeve Mounting Bracket (Right)	1
52	26111215	Wire Cover Housing	1
53	11121607	Vent Filter Sub-Assy	1
54	01441018P	Vent Air Door	1
55	03500600158	Suction/Inhalation Tube	1
56	03500800155	Discharge Tube 1	1
57	03000600133	Capillary Sub-Assy	1
58	07101001	Drain Valve	1
59	0120124108P	Base Pan Sub-Assy	1
60	12311048	Condensate Foam Pan (Water Tray)	1
61	10000200006403	Electric Control Box Assy	1
62	01411050	Junction Box	1
63	01251015	Junction Cover	1
64	4402033402	Power Relay	1
65	3301074710	Capacitor CBB61S	1
66	43110269	Transformer	1
67	33000081	Capacitor CBB65	1
68	3301074701	Capacitor CBB61	1
69	42011103	Terminal Board	2
70	49010252	Heat Sink/Radiator	1
71	46010022	Fuse	1
72	42010039S	Thermostat Wiring Terminal Block (7-pins)	1
73	42010037	EM Wiring Terminal Block (2-pins)	1
Not Shown	62261101	Control Panel Blank out Label	1
Not Shown	ETAC-REMOTE-KIT-A	Remote Control Kit	1
Not Shown	E2CORD-230V-15A	Power Cord 230V 15A	1
Not Shown	E2CORD-230V-20A	Power Cord 230V 20A	1
Not Shown	E2CORD-230V-30A	Power Cord 230V 30A	1

# ETAC2-07HP230VA-A

## 7,000 BTUH Heat Pump 208/230v Model



**ETAC2-07HP230VA-A**  
**7,000 BTUH Heat Pump 208/230v Model**  
Product Code: GAA07AE-D3NRNB5G

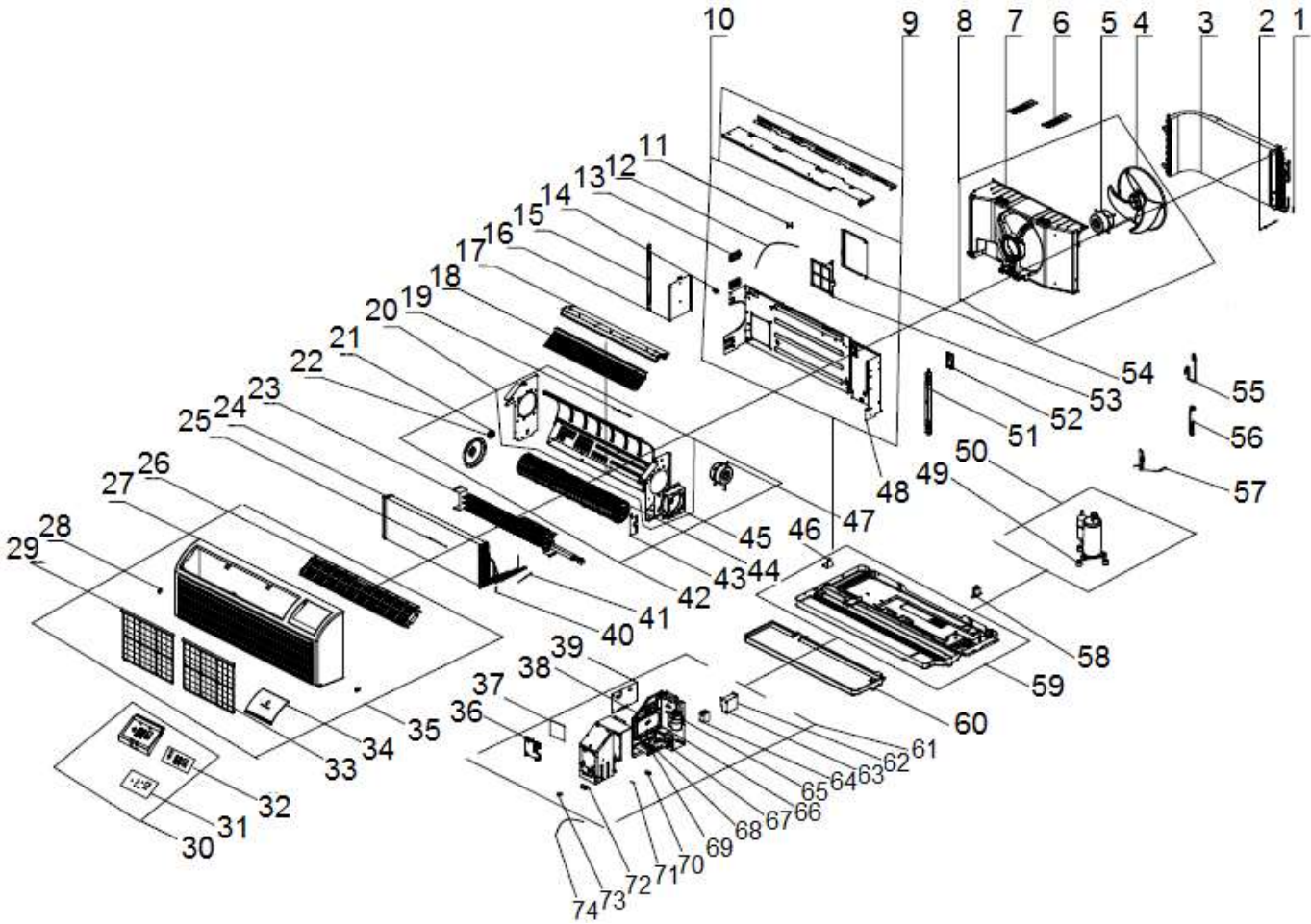
NO.	Part Code	Part Description	Qty
1	05212423	Temperature Sensor Sleeve	1
2	390000372	Outdoor Coil Temperature Sensor	1
3	01100200378	Condenser Coil Assy	1
Not Shown	0110020037801	Condenser Coil Assy (CP Model Only)	1
4	10331004	Outdoor Axial Flow Fan Wheel	1
5	1501104714	Outdoor Fan Motor	1
6	01381021	Condenser Shroud Support Brackets	2
7	10371218	Condenser Shroud	1
8	1037121905	Condenser Shroud Assembly	1
9	0125104201P	Top Cover Sub-Assy	1
10	0123111901	Main Partition Wall Sub-Assy	1
11	71000151	Vent Door Cable Clamp	2
12	02161505	Vent Door Cable	1
13	26231156	Vent Door Hand Lever 1	1
14	26231157	Vent Door Hand Lever 2	1
15	01701038	Wall Sleeve Mounting Bracket (Left)	1
16	01361018	Side Panel	1
17	02121029P	Discharge Air Deck Sub-Assy	1
18	01471007	Discharge Air Screen	1
19	390001982	Discharge Air Temperature Sensor	1
20	01221027P	Air Duct Sub-Assy	1
21	26151139	Blower Wheel Bearing Holder Sub-Assy	1
22	26151138	Blower Wheel Bearing Holder	1
23	32001039	Electric Heater	1
Not Shown	45040037	Electric Heater Temperature Limiter	1
Not Shown	4601038101	Electric Heater Thermal Fuse (110°C)	1
24	01100100084	Evaporator Coil Assy	1
25	3900012123	Ambient Temperature Sensor	1
26	22411023	Discharge Air Grille	1
27	20001673	Front Panel	1
28	02111013	Front Panel Clip	2
29	none	Air Filter Brackets Sub-Assy	0
30	2016138202	Escutcheon Panel Sub-Assy	1
31	6306130903	Membrane Touch Pad	1
32	30562073	Display Board	1
33	11121029	Indoor Air Filter	1
34	20121070S	Control Panel Door	1
35	2000147503	Front Panel Assy	1
36	26111167	Control Board Support	1
37	30132172	Main Control Board 1	1
38	26111166	Control Board Support	1
39	30132161	Relay/Power Control Board 2	1
40	05212423	Temperature Sensor Sleeve	1

**ETAC2-07HP230VA-A (Cont.)**  
**7,000 BTUH Heat Pump 208/230v Model**  
**Product Code: GAA07AE-D3NRNB5G**

NO.	Part Code	Part Description	Qty
41	390000596	Indoor Coil Temperature Sensor	1
42	01221026	Air Flue Assy	1
43	02111009	Heater Wiring Block Board	1
44	10351004	Indoor Blower Wheel (Cross Flow)	1
45	01701014P	Fan Motor Support Sub-Assy	1
46	01741023	Condenser Coil Mounting Bracket	1
47	1501180209	Indoor Fan Motor	1
48	0123115801	Main Partition Wall	1
49	430004022	4-Way Valve	1
50	03021241	4-Way Valve Assy	1
51	01701039	Wall Sleeve Mounting Bracket (Right)	1
52	26111215	Wire Cover Housing	1
53	11121607	Vent Filter Sub-Assy	1
54	01441018P	Vent Air Door	1
55	07133001	One Way Valve	1
56	03000600250	Capillary Sub-Assy	1
57	4300040022	4-Way Valve Solenoid Coil	1
58	00181156	Compressor Overload Protector	1
59	76710287	Compressor Grommets	3
60	00101349	Compressor	1
Not Shown	03621880	Suction/Inhalation Tube 1	1
Not Shown	03511009	Discharge Tube 1	1
61	07101001	Drain Valve	1
62	01201241P	Base Pan Sub-Assy	1
63	12311048	Condensate Foam Pan (Water Tray)	1
64	10000200006303	Electric Control Box Assy	1
65	01411050	Junction Box	1
66	01251015	Junction Cover	1
67	4402033402	Power Relay	1
68	3301074702	Capacitor CBB61S	1
69	43110270	Transformer	1
70	3300008111	Capacitor CBB65	1
71	3301074716	Capacitor CBB61	1
72	42011103	Terminal Board	2
73	49010252	Heat Sink/Radiator	1
74	46010055	Fuse	1
75	42010039S	Thermostat Wiring Terminal Block (7-pins)	1
76	42010037	EM Wiring Terminal Block (2-pins)	1
Not Shown	62261101	Control Panel Blank out Label	1
Not Shown	ETAC-REMOTE-KIT-A	Remote Control Kit	1
Not Shown	E2CORD-230V-15A	Power Cord 230V 15A	1
Not Shown	E2CORD-230V-20A	Power Cord 230V 20A	1
Not Shown	E2CORD-230V-30A	Power Cord 230V 30A	1

# ETAC2-09HP230VA-A

## 9,000 BTUH Heat Pump 208/230v Model



**ETAC2-09HP230VA-A**  
**9,000 BTUH Heat Pump 208/230v Model**  
Product Code: GAA09AE-D3NRNB5G

NO.	Part Code	Part Description	Qty
1	05212423	Temperature Sensor Sleeve	1
2	390000372	Outdoor Coil Temperature Sensor	1
3	01101372	Condenser Coil Assy	1
Not Shown	0110137201	Condenser Coil Assy (CP Model Only)	1
4	10331004	Outdoor Axial Flow Fan Wheel	1
5	1501104714	Outdoor Fan Motor	1
6	01381021	Condenser Shroud Support Brackets	2
7	10371218	Condenser Shroud	1
8	1037121905	Condenser Shroud Assembly	1
9	0125104201P	Top Cover Sub-Assy	1
10	0123111901	Main Partition Wall Sub-Assy	1
11	71000151	Vent Door Cable Clamp	2
12	02161505	Vent Door Cable	1
13	26231156	Vent Door Hand Lever 1	1
14	26231157	Vent Door Hand Lever 2	1
15	01701038	Wall Sleeve Mounting Bracket (Left)	1
16	01361018	Side Panel	1
17	02121029P	Discharge Air Deck Sub-Assy	1
18	01471007	Discharge Air Screen	1
19	390001982	Discharge Air Temperature Sensor	1
20	01221027P	Air Duct Sub-Assy	1
21	26151139	Blower Wheel Bearing Holder Sub-Assy	1
22	26151138	Blower Wheel Bearing Holder	1
23	32001039	Electric Heater	1
Not Shown	45040037	Electric Heater Temperature Limiter	1
Not Shown	4601038101	Electric Heater Thermal Fuse (110°C)	1
24	01001906	Evaporator Coil Assy	1
25	3900012123	Ambient Temperature Sensor	1
26	22411023	Discharge Air Grille	1
27	20001673	Front Panel	1
28	02111013	Front Panel Clip	2
29	none	Air Filter Brackets Sub-Assy	0
30	2016138202	Escutcheon Panel Sub-Assy	1
31	6306130903	Membrane Touch Pad	1
32	30562073	Display Board	1
33	11121029	Indoor Air Filter	1
34	20121070S	Control Panel Door	1
35	2000147503	Front Panel Assy	1
36	26111167	Control Board Support	1
37	30132172	Main Control Board 1	1
38	26111166	Control Board Support	1
39	30132161	Relay/Power Control Board 2	1
40	05212423	Temperature Sensor Sleeve	1

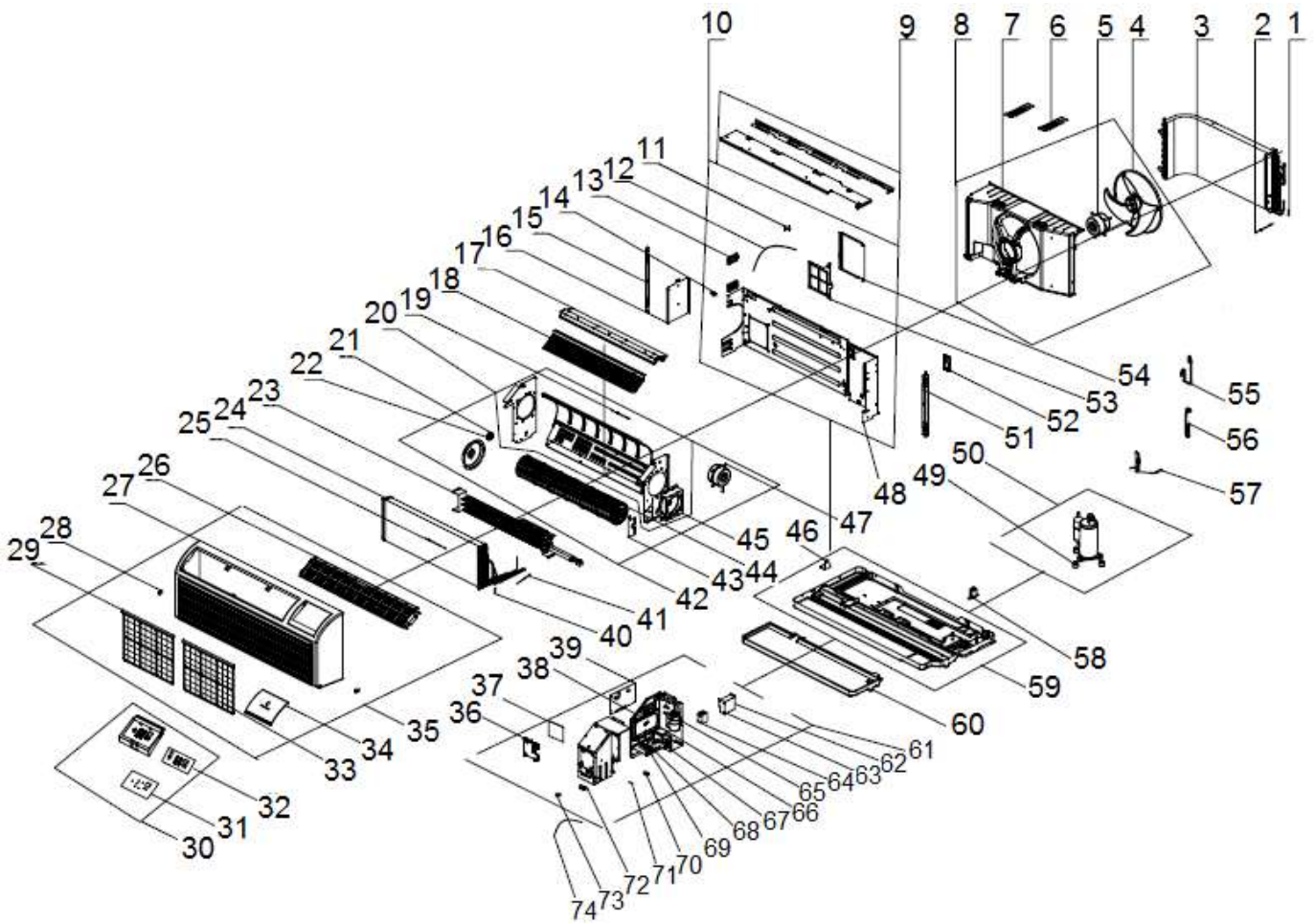


**ETAC2-09HP230VA-A (Cont.)**  
**9,000 BTUH Heat Pump 208/230v Model**  
**Product Code: GAA09AE-D3NRNB5G**

NO.	Part Code	Part Description	Qty
41	390000596	Indoor Coil Temperature Sensor	1
42	0122102606	Air Flue Assy	1
43	02111009	Heater Wiring Block Board	1
44	10351004	Indoor Blower Wheel (Cross Flow)	1
45	01701014P	Fan Motor Support Sub-Assy	1
46	01741023	Condenser Coil Mounting Bracket	1
47	1501180211	Indoor Fan Motor	1
48	0123115801	Main Partition Wall	1
49	430004022	4-Way Valve	1
50	03021240	4-Way Valve Assy	1
51	01701039	Wall Sleeve Mounting Bracket (Right)	1
52	26111215	Wire Cover Housing	1
53	11121607	Vent Filter Sub-Assy	1
54	01441018P	Vent Air Door	1
56	03000600082	Capillary Sub-Assy	1
57	4300040022	4-Way Valve Solenoid Coil	1
58	00183045	Compressor Overload Protector	1
59	76710287	Compressor Grommets	3
60	00101346	Compressor	1
Not Shown	03621881	Suction/Inhalation Tube 1	1
Not Shown	03511011	Discharge Tube 1	1
61	07101001	Drain Valve	1
62	01201241P	Base Pan Sub-Assy	1
63	12311048	Condensate Foam Pan (Water Tray)	1
64	10000200006305	Electric Control Box Assy	1
65	01411050	Junction Box	1
66	01251015	Junction Cover	1
67	4402033402	Power Relay	1
68	3301074702	Capacitor CBB61S	1
69	43110270	Transformer	1
70	33000081	Capacitor CBB65	1
71	3301074701	Capacitor CBB61	1
72	42011103	Terminal Board	2
73	49010252	Heat Sink/Radiator	1
74	46010055	Fuse	1
75	42010039S	Thermostat Wiring Terminal Block (7-pins)	1
76	42010037	EM Wiring Terminal Block (2-pins)	1
Not Shown	62261101	Control Panel Blank out Label	1
Not Shown	ETAC-REMOTE-KIT-A	Remote Control Kit	1
Not Shown	E2CORD-230V-15A	Power Cord 230V 15A	1
Not Shown	E2CORD-230V-20A	Power Cord 230V 20A	1
Not Shown	E2CORD-230V-30A	Power Cord 230V 30A	1

# ETAC2-12HP230VA-A

## 12,000 BTUH Heat Pump 208/230v Model



**ETAC2-12HP230VA-A**  
**12,000 BTUH Heat Pump 208/230v Model**  
Product Code: GAA12AE-D3NRNB5G

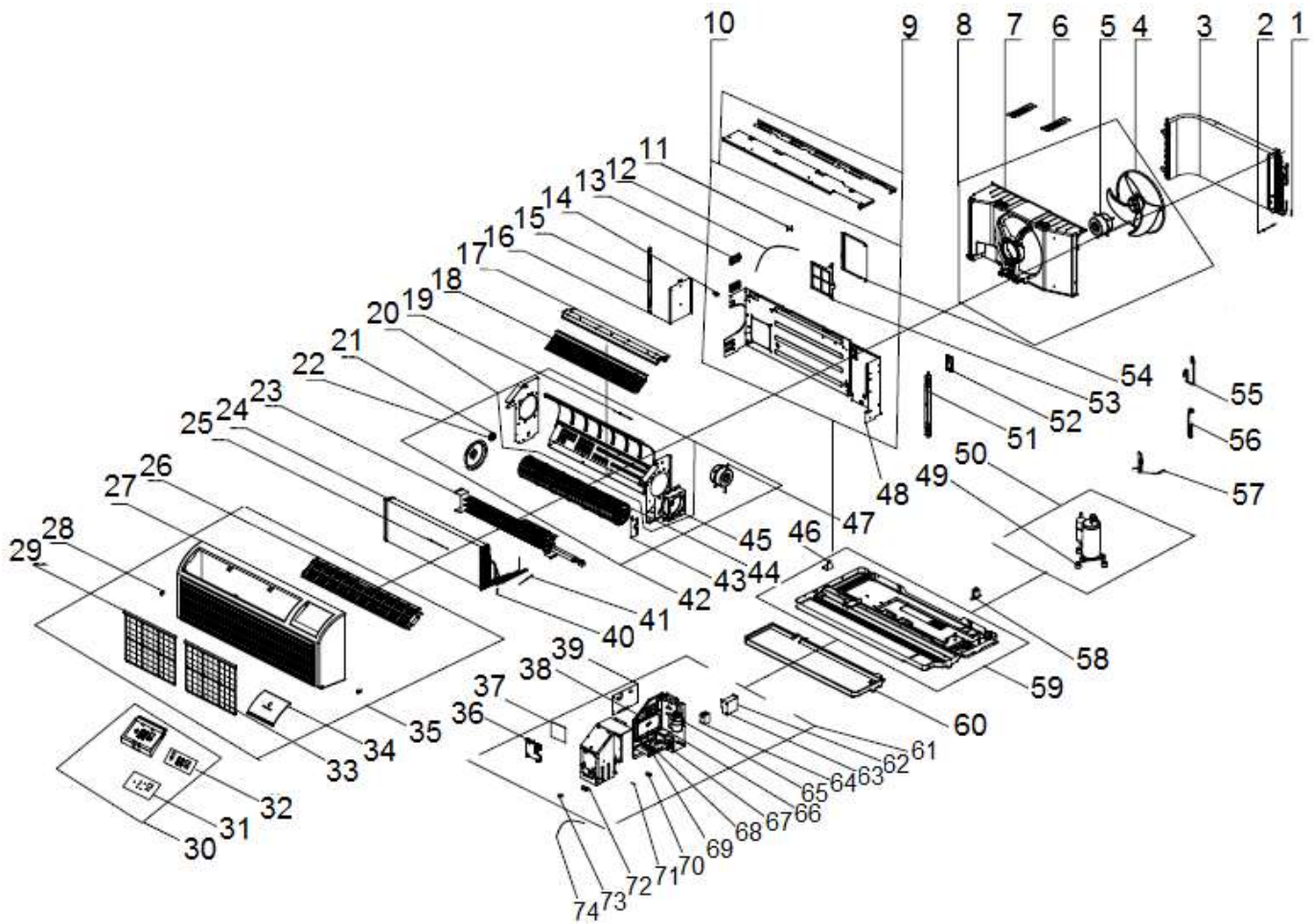
NO.	Part Code	Part Description	Qty
1	05212423	Temperature Sensor Sleeve	1
2	390000372	Outdoor Coil Temperature Sensor	1
3	01100200322	Condenser Coil Assy	1
Not Shown	0110020032201	Condenser Coil Assy (CP Model Only)	1
4	10331004	Outdoor Axial Flow Fan Wheel	1
5	15011803	Outdoor Fan Motor	1
6	01381021	Condenser Shroud Support Brackets	2
7	10371218	Condenser Shroud	1
8	1037121907	Condenser Shroud Assembly	1
9	0125104201P	Top Cover Sub-Assy	1
10	0123111901	Main Partition Wall Sub-Assy	1
11	71000151	Vent Door Cable Clamp	2
12	02161505	Vent Door Cable	1
13	26231156	Vent Door Hand Lever 1	1
14	26231157	Vent Door Hand Lever 2	1
15	01701038	Wall Sleeve Mounting Bracket (Left)	1
16	01361018	Side Panel	1
17	02121029P	Discharge Air Deck Sub-Assy	1
18	01471007	Discharge Air Screen	1
19	390001982	Discharge Air Temperature Sensor	1
20	01221027P	Air Duct Sub-Assy	1
21	26151139	Blower Wheel Bearing Holder Sub-Assy	1
22	26151138	Blower Wheel Bearing Holder	1
23	32001039	Electric Heater	1
Not Shown	45040037	Electric Heater Temperature Limiter	1
Not Shown	4601038101	Electric Heater Thermal Fuse (110°C)	1
24	01100100041	Evaporator Coil Assy	1
25	3900012123	Ambient Temperature Sensor	1
26	22411023	Discharge Air Grille	1
27	20001673	Front Panel	1
28	02111013	Front Panel Clip	2
29	none	Air Filter Brackets Sub-Assy	0
30	2016138202	Escutcheon Panel Sub-Assy	1
31	6306130903	Membrane Touch Pad	1
32	30562073	Display Board	1
33	11121029	Indoor Air Filter	1
34	20121070S	Control Panel Door	1
35	2000147503	Front Panel Assy	1
36	26111167	Control Board Support	1
37	30132172	Main Control Board 1	1
38	26111166	Control Board Support	1
39	30132161	Relay/Power Control Board 2	1
40	05212423	Temperature Sensor Sleeve	1

**ETAC2-12HP230VA-A (Cont.)**  
**12,000 BTUH Heat Pump 208/230v Model**  
**Product Code: GAA12AE-D3NRNB5G**

NO.	Part Code	Part Description	Qty
41	390000596	Indoor Coil Temperature Sensor	1
42	0122102602	Air Flue Assy	1
43	02111009	Heater Wiring Block Board	1
44	10351004	Indoor Blower Wheel (Cross Flow)	1
45	01701014P	Fan Motor Support Sub-Assy	1
46	01741023	Condenser Coil Mounting Bracket	1
47	1501180213	Indoor Fan Motor	1
48	0123115801	Main Partition Wall	1
49	430004032	4-Way Valve	1
50	03015200051	4-Way Valve Assy	1
51	01701039	Wall Sleeve Mounting Bracket (Right)	1
52	26111215	Wire Cover Housing	1
53	11121607	Vent Filter Sub-Assy	1
54	01441018P	Vent Air Door	1
55	07133001	One Way Valve	1
56	03000600252	Capillary Sub-Assy	1
57	4300040022	4-Way Valve Solenoid Coil	1
58	00180240	Compressor Overload Protector	1
59	76710287	Compressor Grommets	3
60	00101350	Compressor	1
Not Shown	03500600060	Suction/Inhalation Tube 1	1
Not Shown	03500800072	Discharge Tube 1	1
61	07101001	Drain Valve	1
62	01201241P	Base Pan Sub-Assy	1
63	12311048	Condensate Foam Pan (Water Tray)	1
64	10000200006301	Electric Control Box Assy	1
65	01411050	Junction Box	1
66	01251015	Junction Cover	1
67	4402033402	Power Relay	1
68	3301074710	Capacitor CBB61S	1
69	43110270	Transformer	1
70	3300008101	Capacitor CBB65	1
71	3301074716	Capacitor CBB61	1
72	42011103	Terminal Board	2
73	49010252	Heat Sink/Radiator	1
74	46010055	Fuse	1
75	42010039S	Thermostat Wiring Terminal Block (7-pins)	1
76	42010037	EM Wiring Terminal Block (2-pins)	1
Not Shown	62261101	Control Panel Blank out Label	1
Not Shown	ETAC-REMOTE-KIT-A	Remote Control Kit	1
Not Shown	E2CORD-230V-15A	Power Cord 230V 15A	1
Not Shown	E2CORD-230V-20A	Power Cord 230V 20A	1
Not Shown	E2CORD-230V-30A	Power Cord 230V 30A	1

# ETAC2-15HP230VA-A

## 15,000 BTUH Heat Pump 208/230v Model



**ETAC2-15HP230VA-A**  
**15,000 BTUH Heat Pump 208/230v Model**  
**Product Code: GAA15AE-D3NRNB5G**

NO.	Part Code	Part Description	Qty
1	05212423	Temperature Sensor Sleeve	1
2	390000372	Outdoor Coil Temperature Sensor	1
3	01100200323	Condenser Coil Assy	1
Not Shown	0110020032301	Condenser Coil Assy (CP Model Only)	1
4	10331004	Outdoor Axial Flow Fan Wheel	1
5	1501180310	Outdoor Fan Motor	1
6	01381021	Condenser Shroud Support Brackets	2
7	10371218	Condenser Shroud	1
8	1037121904	Condenser Shroud Assembly	1
9	0125104201P	Top Cover Sub-Assy	1
10	0123111901	Main Partition Wall Sub-Assy	1
11	71000151	Vent Door Cable Clamp	2
12	02161505	Vent Door Cable	1
13	26231156	Vent Door Hand Lever 1	1
14	26231157	Vent Door Hand Lever 2	1
15	01701038	Wall Sleeve Mounting Bracket (Left)	1
16	01361018	Side Panel	1
17	02121029P	Discharge Air Deck Sub-Assy	1
18	01471007	Discharge Air Screen	1
19	390001982	Discharge Air Temperature Sensor	1
20	01221027P	Air Duct Sub-Assy	1
21	26151139	Blower Wheel Bearing Holder Sub-Assy	1
22	26151138	Blower Wheel Bearing Holder	1
23	32001039	Electric Heater	1
Not Shown	45040037	Electric Heater Temperature Limiter	1
Not Shown	4601038101	Electric Heater Thermal Fuse (110°C)	1
24	01100100041	Evaporator Coil Assy	1
25	3900012123	Ambient Temperature Sensor	1
26	22411023	Discharge Air Grille	1
27	20001673	Front Panel	1
28	02111013	Front Panel Clip	2
29	none	Air Filter Brackets Sub-Assy	0
30	2016138202	Escutcheon Panel Sub-Assy	1
31	6306130903	Membrane Touch Pad	1
32	30562073	Display Board	1
33	11121029	Indoor Air Filter	1
34	20121070S	Control Panel Door	1
35	2000147503	Front Panel Assy	1
36	26111167	Control Board Support	1
37	30132172	Main Control Board 1	1
38	26111166	Control Board Support	1
39	30132161	Relay/Power Control Board 2	1
40	05212423	Temperature Sensor Sleeve	1

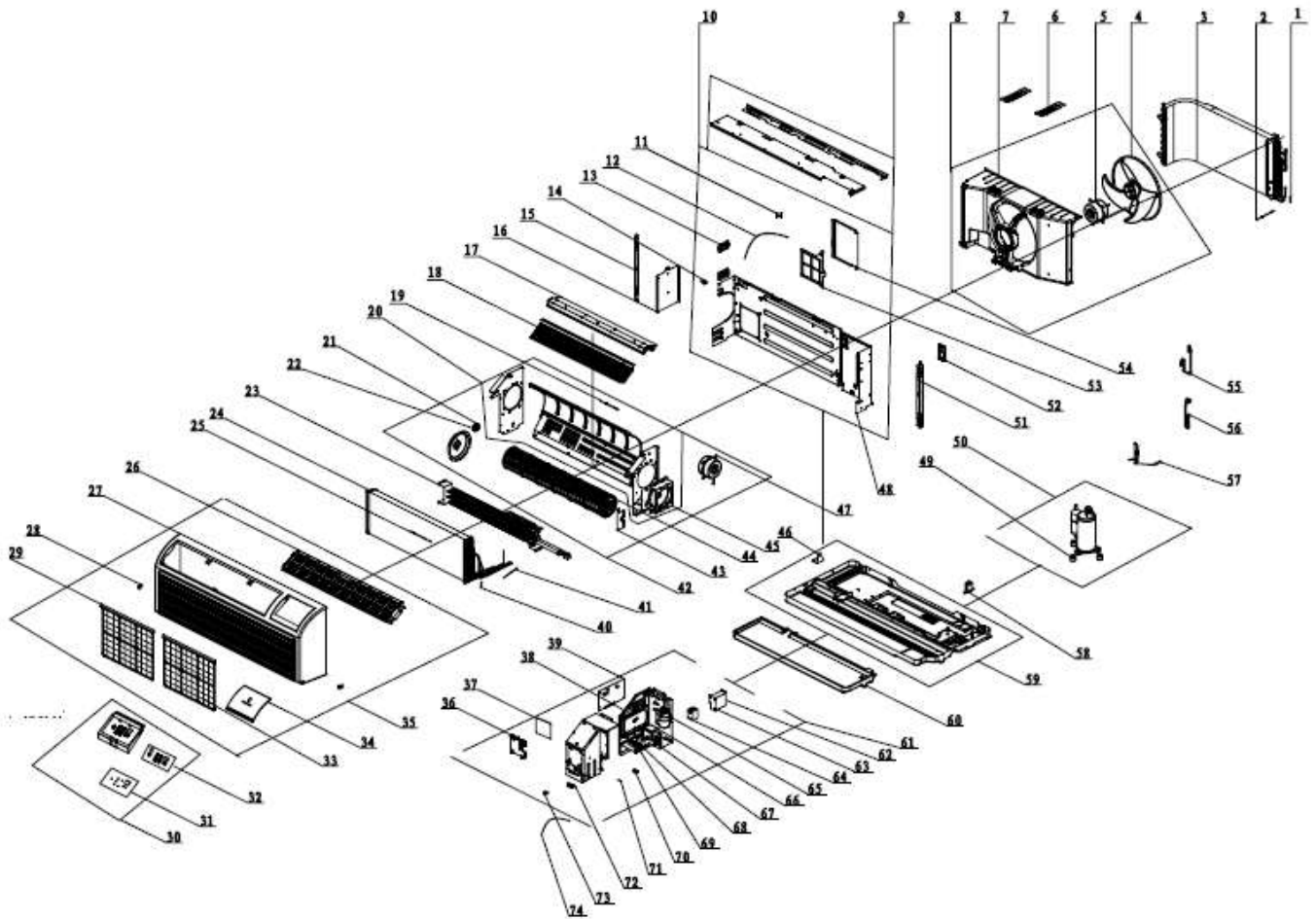


**ETAC2-15HP230VA-A (Cont.)**  
**15,000 BTUH Heat Pump 208/230v Model**  
**Product Code: GAA15AE-D3NRNB5G**

NO.	Part Code	Part Description	Qty
41	390000596	Indoor Coil Temperature Sensor	1
42	0122102602	Air Flue Assy	1
43	02111009	Heater Wiring Block Board	1
44	10351004	Indoor Blower Wheel (Cross Flow)	1
45	01701014P	Fan Motor Support Sub-Assy	1
46	01741023	Condenser Coil Mounting Bracket	1
47	1501180213	Indoor Fan Motor	1
48	0123115801	Main Partition Wall	1
49	430004032	4-Way Valve	1
50	03015200091	4-Way Valve Assy	1
51	01701039	Wall Sleeve Mounting Bracket (Right)	1
52	26111215	Wire Cover Housing	1
53	11121607	Vent Filter Sub-Assy	1
54	01441018P	Vent Air Door	1
55	07133001	One Way Valve	1
56	03000600253	Capillary Sub-Assy	1
57	4300040022	4-Way Valve Solenoid Coil	1
58	00183121	Compressor Overload Protector	1
59	76710287	Compressor Grommets	3
60	00101348	Compressor	1
Not Shown	03621422	Suction/Inhalation Tube 1	1
Not Shown	03511006	Discharge Tube 1	1
61	07101001	Drain Valve	1
62	01201241P	Base Pan Sub-Assy	1
63	12311048	Condensate Foam Pan (Water Tray)	1
64	10000200006301	Electric Control Box Assy	1
65	01411050	Junction Box	1
66	01251015	Junction Cover	1
67	4402033402	Power Relay	1
68	3301074710	Capacitor CBB61	1
69	43110270	Transformer	1
70	3300008101	Capacitor CBB65	1
71	3301074716	Capacitor CBB61	1
72	42011103	Terminal Board	2
73	49010252	Heat Sink/Radiator	1
74	46010055	Fuse	1
75	42010039S	Thermostat Wiring Terminal Block (7-pins)	1
76	42010037	EM Wiring Terminal Block (2-pins)	1
Not Shown	62261101	Control Panel Blank out Label	1
Not Shown	ETAC-REMOTE-KIT-A	Remote Control Kit	1
Not Shown	E2CORD-230V-15A	Power Cord 230V 15A	1
Not Shown	E2CORD-230V-20A	Power Cord 230V 20A	1
Not Shown	E2CORD-230V-30A	Power Cord 230V 30A	1

# ETAC2-07HP265VA-A

## 7,000 BTUH Heat Pump 265v Model



**ETAC2-07HP265VA-A**  
**7,000 BTUH Heat Pump 265v Model**  
**Product Code: GAA07AE-P3NRNB5G**

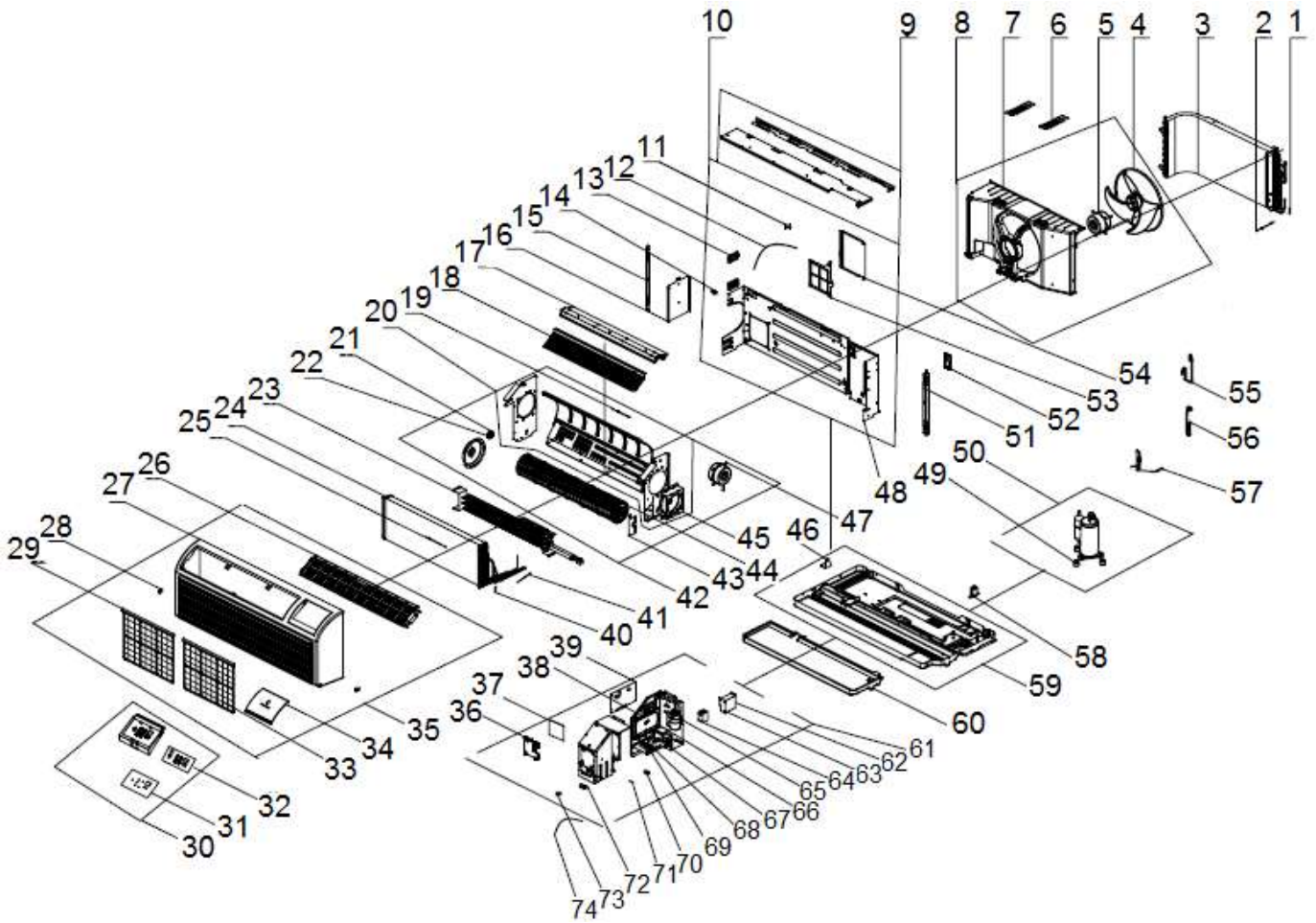
NO.	Part Code	Part Description	Qty
1	05212423	Temperature Sensor Sleeve	1
2	390000372	Outdoor Coil Temperature Sensor	1
3	01100200378	Condenser Coil Assy	1
Not Shown	0110020037801	Condenser Coil Assy (CP Model Only)	1
4	10331004	Outdoor Axial Flow Fan Wheel	1
5	1501104715	Outdoor Fan Motor	1
6	01381021	Condenser Shroud Support Brackets	2
7	10371218	Condenser Shroud	1
8	1037121910	Condenser Shroud Assembly	1
9	0125104201P	Top Cover Sub-Assy	1
10	0123111901	Main Partition Wall Sub-Assy	1
11	71000151	Vent Door Cable Clamp	2
12	02161505	Vent Door Cable	1
13	26231156	Vent Door Hand Lever 1	1
14	26231157	Vent Door Hand Lever 2	1
15	01701038	Wall Sleeve Mounting Bracket (Left)	1
16	01361018	Side Panel	1
17	02121029P	Discharge Air Deck Sub-Assy	1
18	01471007	Discharge Air Screen	1
19	390001982	Discharge Air Temperature Sensor	1
20	01221027P	Air Duct Sub-Assy	1
21	26151139	Blower Wheel Bearing Holder Sub-Assy	1
22	26151138	Blower Wheel Bearing Holder	1
23	3200103901	Electric Heater	1
Not Shown	45040037	Electric Heater Temperature Limiter	1
Not Shown	4601038101	Electric Heater Thermal Fuse (110°C)	1
24	01100100084	Evaporator Coil Assy	1
25	3900012123	Ambient Temperature Sensor	1
26	22411023	Discharge Air Grille	1
27	20001673	Front Panel	1
28	02111013	Front Panel Clip	2
29	none	Air Filter Brackets Sub-Assy	0
30	2016138202	Escutcheon Panel Sub-Assy	1
31	6306130903	Membrane Touch Pad	1
32	30562073	Display Board	1
33	11121029	Indoor Air Filter	1
34	20121070S	Control Panel Door	1
35	2000147503	Front Panel Assy	1
36	26111167	Control Board Support	1
37	30132172	Main Control Board 1	1
38	26111166	Control Board Support	1
39	30132164	Relay/Power Control Board 2	1
40	05212423	Temperature Sensor Sleeve	1
41	390000596	Indoor Coil Temperature Sensor	1

**ETAC2-07HP265VA-A (Cont.)**  
**7,000 BTUH Heat Pump 265v Model**  
**Product Code: GAA07AE-P3NRNB5G**

NO.	Part Code	Part Description	Qty
42	0122102603	Air Flue Assy	1
43	02111009	Heater Wiring Block Board	1
44	10351004	Indoor Blower Wheel (Cross Flow)	1
45	01701014P	Fan Motor Support Sub-Assy	1
46	01741023	Condenser Coil Mounting Bracket	1
47	1501180210	Indoor Fan Motor	1
48	0123115801	Main Partition Wall	1
49	00101404	Compressor	1
50	76710287	Compressor Grommets	3
Not Shown	00181175	Compressor Overload Protector	0
51	01701039	Wall Sleeve Mounting Bracket (Right)	1
52	26111215	Wire Cover Housing	1
53	11121607	Vent Filter Sub-Assy	1
54	01441018P	Vent Air Door	1
55	03500600642	Suction/Inhalation Tube	1
56	03511009	Discharge Tube 1	1
57	03000600254	Capillary Sub-Assy	1
Not Shown	07133001	One Way Valve	1
Not Shown	4300040022	4-Way Valve Solenoid Coil	1
Not Shown	430004022	4-Way Valve	1
Not Shown	03021241	4-Way Valve Assy	1
58	07101001	Drain Valve	1
59	01201241P	Base Pan Sub-Assy	1
60	12311048	Condensate Foam Pan (Water Tray)	1
61	10000200006405	Electric Control Box Assy	1
62	01411050	Junction Box	1
63	01251015	Junction Cover	1
64	4402033402	Power Relay	1
65	3301074701	Capacitor CBB61S	1
66	43110269	Transformer	1
67	3300008111	Capacitor CBB65	1
68	3301074716	Capacitor CBB61	1
69	42011103	Terminal Board	2
70	49010252	Heat Sink/Radiator	1
71	46010022	Fuse	1
72	42010039S	Thermostat Wiring Terminal Block (7-pins)	1
73	42010037	EM Wiring Terminal Block (2-pins)	1
Not Shown	62261101	Control Panel Blank out Label	1
Not Shown	ETAC-REMOTE-KIT-A	Remote Control Kit	1
Not Shown	E2CORD-265V-15A	Power Cord 265V 15A	1
Not Shown	E2CORD-265V-20A	Power Cord 265V 20A	1
Not Shown	E2CORD-265V-30A	Power Cord 265V 30A	1

# ETAC2-09HP265VA-A

## 9,000 BTUH Heat Pump 265v Model



# ETAC2-09HP265VA-A

## 9,000 BTUH Heat Pump 265v Model

Product Code: GAA09AE-P3NRNB5G

NO.	Part Code	Part Description	Qty
1	05212423	Temperature Sensor Sleeve	1
2	390000372	Outdoor Coil Temperature Sensor	1
3	01101372	Condenser Coil Assy	1
Not Shown	0110137201	Condenser Coil Assy (CP Model Only)	1
4	10331004	Outdoor Axial Flow Fan Wheel	1
5	1501104715	Outdoor Fan Motor	1
6	01381021	Condenser Shroud Support Brackets	2
7	10371218	Condenser Shroud	1
8	1037121910	Condenser Shroud Assembly	1
9	0125104201P	Top Cover Sub-Assy	1
10	0123111901	Main Partition Wall Sub-Assy	1
11	71000151	Vent Door Cable Clamp	2
12	02161505	Vent Door Cable	1
13	26231156	Vent Door Hand Lever 1	1
14	26231157	Vent Door Hand Lever 2	1
15	01701038	Wall Sleeve Mounting Bracket (Left)	1
16	01361018	Side Panel	1
17	02121029P	Discharge Air Deck Sub-Assy	1
18	01471007	Discharge Air Screen	1
19	390001982	Discharge Air Temperature Sensor	1
20	01221027P	Air Duct Sub-Assy	1
21	26151139	Blower Wheel Bearing Holder Sub-Assy	1
22	26151138	Blower Wheel Bearing Holder	1
23	3200103901	Electric Heater	1
Not Shown	45040037	Electric Heater Temperature Limiter	1
Not Shown	4601038101	Electric Heater Thermal Fuse (110°C)	1
24	0100190601	Evaporator Coil Assy	1
25	3900012123	Ambient Temperature Sensor	1
26	22411023	Discharge Air Grille	1
27	20001673	Front Panel	1
28	02111013	Front Panel Clip	2
29	none	Air Filter Brackets Sub-Assy	0
30	2016138202	Escutcheon Panel Sub-Assy	1
31	6306130903	Membrane Touch Pad	1
32	30562073	Display Board	1
33	11121029	Indoor Air Filter	1
34	20121070S	Control Panel Door	1
35	2000147503	Front Panel Assy	1
36	26111167	Control Board Support	1
37	30132172	Main Control Board 1	1
38	26111166	Control Board Support	1
39	30132164	Relay/Power Control Board 2	1
40	05212423	Temperature Sensor Sleeve	1



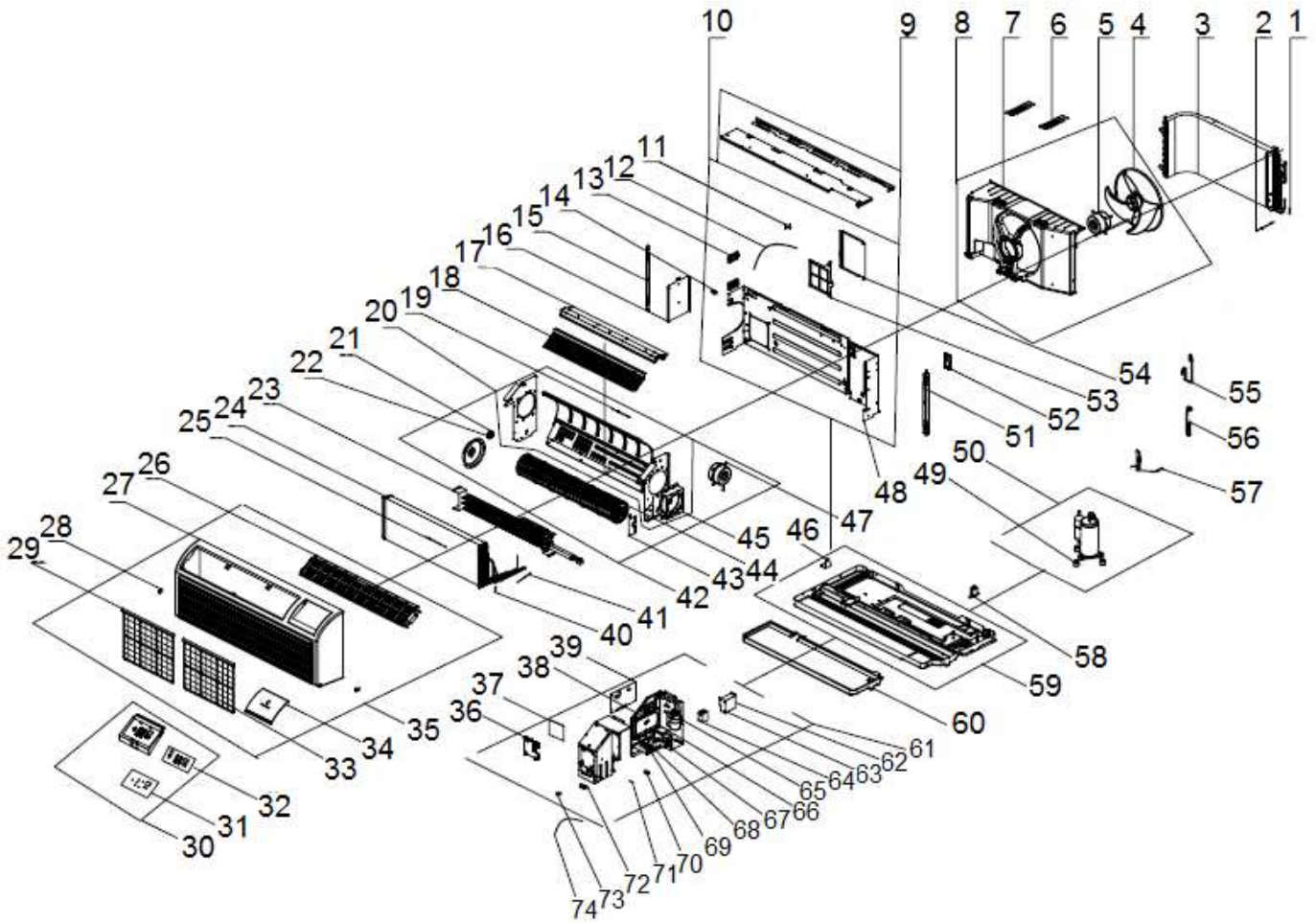
**ETAC2-09HP265VA-A (Cont.)**  
**9,000 BTUH Heat Pump 265v Model**

Product Code: GAA09AE-P3NRNB5G

NO.	Part Code	Part Description	Qty
41	390000596	Indoor Coil Temperature Sensor	1
42	0122102613	Air Flue Assy	1
43	02111009	Heater Wiring Block Board	1
44	10351004	Indoor Blower Wheel (Cross Flow)	1
45	01701014P	Fan Motor Support Sub-Assy	1
46	01741023	Condenser Coil Mounting Bracket	1
47	1501180212	Indoor Fan Motor	1
48	0123115801	Main Partition Wall	1
49	430004022	4-Way Valve	1
50	03021240	4-Way Valve Assy	1
51	01701039	Wall Sleeve Mounting Bracket (Right)	1
52	26111215	Wire Cover Housing	1
53	11121607	Vent Filter Sub-Assy	1
54	01441018P	Vent Air Door	1
56	03000600113	Capillary Sub-Assy	1
57	4300040026	4-Way Valve Solenoid Coil	1
58	00183045	Compressor Overload Protector	0
59	76710287	Compressor Grommets	3
60	00101376	Compressor	1
Not Shown	03621881	Suction/Inhalation Tube 1	1
Not Shown	03511011	Discharge Tube 1	1
61	07101001	Drain Valve	1
62	01201241P	Base Pan Sub-Assy	1
63	12311048	Condensate Foam Pan (Water Tray)	1
64	10000200006402	Electric Control Box Assy	1
65	01411050	Junction Box	1
66	01251015	Junction Cover	1
67	4402033402	Power Relay	1
68	3301074701	Capacitor CBB61S	1
69	43110269	Transformer	1
70	3300002241	Capacitor CBB65	1
71	3301074701	Capacitor CBB61	1
72	42011103	Terminal Board	2
73	49010252	Heat Sink/Radiator	1
74	46010022	Fuse	1
75	42010039S	Thermostat Wiring Terminal Block (7-pins)	1
76	42010037	EM Wiring Terminal Block (2-pins)	1
Not Shown	62261101	Control Panel Blank out Label	1
Not Shown	ETAC-REMOTE-KIT-A	Remote Control Kit	1
Not Shown	E2CORD-265V-15A	Power Cord 265V 15A	1
Not Shown	E2CORD-265V-20A	Power Cord 265V 20A	1
Not Shown	E2CORD-265V-30A	Power Cord 265V 30A	1

# ETAC2-12HP265VA-A

## 12,000 BTUH Heat Pump 265v Model



# ETAC2-12HP265VA-A

## 12,000 BTUH Heat Pump 265v Model

Product Code: GAA12AE-P3NRNB5G

NO.	Part Code	Part Description	Qty
1	05212423	Temperature Sensor Sleeve	1
2	390000372	Outdoor Coil Temperature Sensor	1
3	01100200322	Condenser Coil Assy	1
Not Shown	0110020032201	Condenser Coil Assy (CP Model Only)	1
4	10331004	Outdoor Axial Flow Fan Wheel	1
5	1501104716	Outdoor Fan Motor	1
6	01381021	Condenser Shroud Support Brackets	2
7	10371218	Condenser Shroud	1
8	1037121909	Condenser Shroud Assembly	1
9	0125104201P	Top Cover Sub-Assy	1
10	0123111901	Main Partition Wall Sub-Assy	1
11	71000151	Vent Door Cable Clamp	2
12	02161505	Vent Door Cable	1
13	26231156	Vent Door Hand Lever 1	1
14	26231157	Vent Door Hand Lever 2	1
15	01701038	Wall Sleeve Mounting Bracket (Left)	1
16	01361018	Side Panel	1
17	02121029P	Discharge Air Deck Sub-Assy	1
18	01471007	Discharge Air Screen	1
19	390001982	Discharge Air Temperature Sensor	1
20	01221027P	Air Duct Sub-Assy	1
21	26151139	Blower Wheel Bearing Holder Sub-Assy	1
22	26151138	Blower Wheel Bearing Holder	1
23	3200103901	Electric Heater	1
Not Shown	45040037	Electric Heater Temperature Limiter	1
Not Shown	4601038101	Electric Heater Thermal Fuse (110°C)	1
24	01100100041	Evaporator Coil Assy	1
25	3900012123	Ambient Temperature Sensor	1
26	22411023	Discharge Air Grille	1
27	20001673	Front Panel	1
28	02111013	Front Panel Clip	2
29	none	Air Filter Brackets Sub-Assy	0
30	2016138202	Escutcheon Panel Sub-Assy	1
31	6306130903	Membrane Touch Pad	1
32	30562073	Display Board	1
33	11121029	Indoor Air Filter	1
34	20121070S	Control Panel Door	1
35	2000147503	Front Panel Assy	1
36	26111167	Control Board Support	1
37	30132172	Main Control Board 1	1
38	26111166	Control Board Support	1
39	30132164	Relay/Power Control Board 2	1
40	05212423	Temperature Sensor Sleeve	1

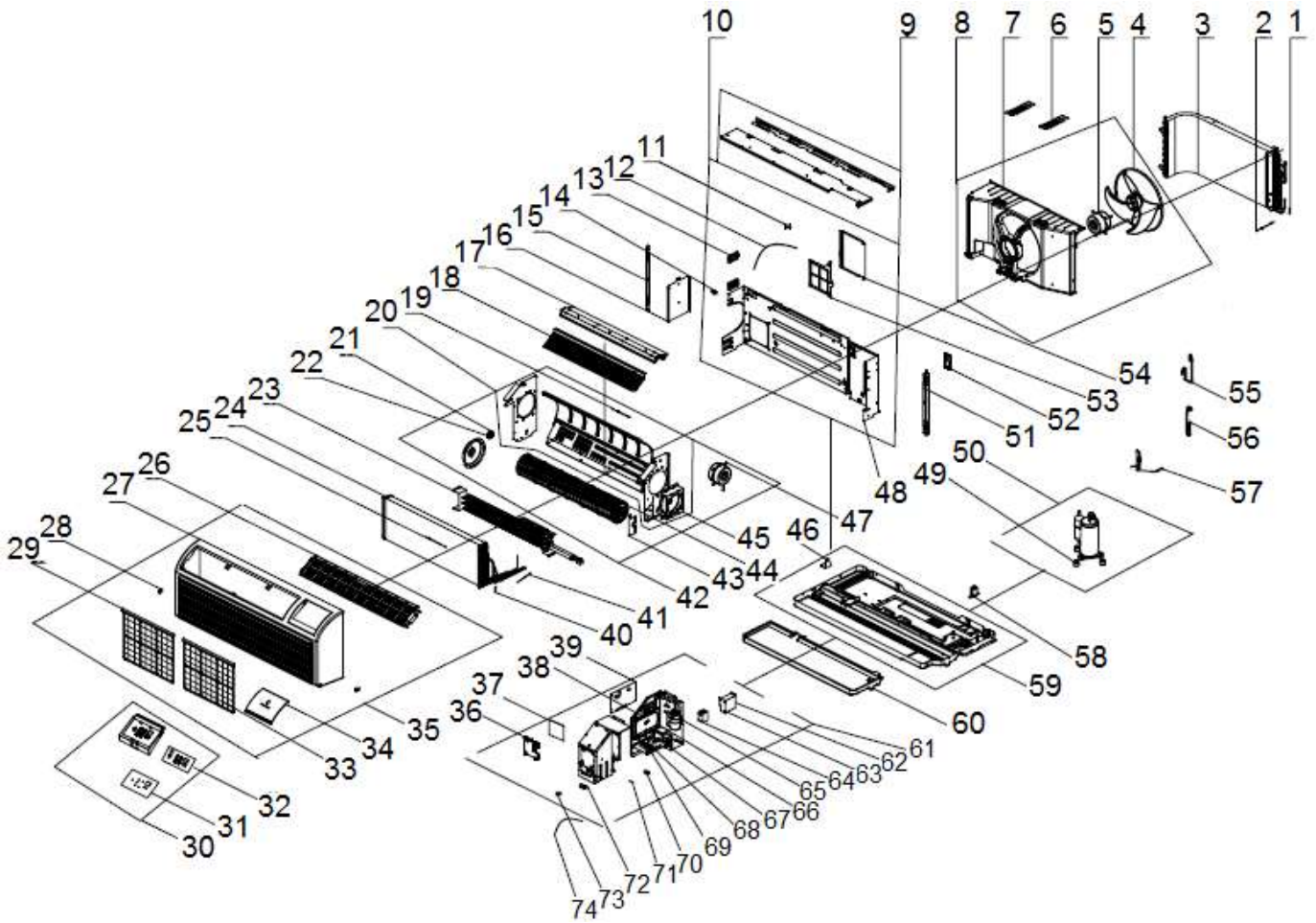
## ETAC2-12HP265VA-A (Cont.) 12,000 BTUH Heat Pump 265v Model

Product Code: GAA12AE-P3NRNB5G

NO.	Part Code	Part Description	Qty
41	390000596	Indoor Coil Temperature Sensor	1
42	0122102621	Air Flue Assy	1
43	02111009	Heater Wiring Block Board	1
44	10351004	Indoor Blower Wheel (Cross Flow)	1
45	01701014P	Fan Motor Support Sub-Assy	1
46	01741023	Condenser Coil Mounting Bracket	1
47	1501180214	Indoor Fan Motor	1
48	0123115801	Main Partition Wall	1
49	430004032	4-Way Valve	1
50	03015200066	4-Way Valve Assy	1
51	01701039	Wall Sleeve Mounting Bracket (Right)	1
52	26111215	Wire Cover Housing	1
53	11121607	Vent Filter Sub-Assy	1
54	01441018P	Vent Air Door	1
55	07133001	One Way Valve	1
56	03000600252	Capillary Sub-Assy	1
57	4300040026	4-Way Valve Solenoid Coil	1
58	00183045	Compressor Overload Protector	1
59	76710287	Compressor Grommets	3
60	00101377	Compressor	1
Not Shown	03621635	Suction/Inhalation Tube 1	1
Not Shown	03611612	Discharge Tube 1	1
61	07101001	Drain Valve	1
62	01201241P	Base Pan Sub-Assy	1
63	12311048	Condensate Foam Pan (Water Tray)	1
64	10000200006404	Electric Control Box Assy	1
65	01411050	Junction Box	1
66	01251015	Junction Cover	1
67	4402033402	Power Relay	1
68	3301074710	Capacitor CBB61S	1
69	43110269	Transformer	1
70	33000081	Capacitor CBB65	1
71	3301074701	Capacitor CBB61S	1
72	42011103	Terminal Board	2
73	49010252	Heat Sink/Radiator	1
74	46010022	Fuse	1
75	42010039S	Thermostat Wiring Terminal Block (7-pins)	1
76	42010037	EM Wiring Terminal Block (2-pins)	1
Not Shown	62261101	Control Panel Blank out Label	1
Not Shown	ETAC-REMOTE-KIT-A	Remote Control Kit	1
Not Shown	E2CORD-265V-15A	Power Cord 265V 15A	1
Not Shown	E2CORD-265V-20A	Power Cord 265V 20A	1
Not Shown	E2CORD-265V-30A	Power Cord 265V 30A	1

# ETAC2-15HP265VA-A

## 15,000 BTUH Heat Pump 265v Model



# ETAC2-15HP265VA-A

## 15,000 BTUH Heat Pump 265v Model

Product Code: GAA15AE-P3NRNB5G

NO.	Part Code	Part Description	Qty
1	05212423	Temperature Sensor Sleeve	1
2	390000372	Outdoor Coil Temperature Sensor	1
3	01100200323	Condenser Coil Assy	1
Not Shown	0110020032301	Condenser Coil Assy (CP Model Only)	1
4	10331004	Outdoor Axial Flow Fan Wheel	1
5	1501104716	Outdoor Fan Motor	1
6	01381021	Condenser Shroud Support Brackets	2
7	10371218	Condenser Shroud	1
8	1037121909	Condenser Shroud Assembly	1
9	0125104201P	Top Cover Sub-Assy	1
10	0123111901	Main Partition Wall Sub-Assy	1
11	71000151	Vent Door Cable Clamp	2
12	02161505	Vent Door Cable	1
13	26231156	Vent Door Hand Lever 1	1
14	26231157	Vent Door Hand Lever 2	1
15	01701038	Wall Sleeve Mounting Bracket (Left)	1
16	01361018	Side Panel	1
17	02121029P	Discharge Air Deck Sub-Assy	1
18	01471007	Discharge Air Screen	1
19	390001982	Discharge Air Temperature Sensor	1
20	01221027P	Air Duct Sub-Assy	1
21	26151139	Blower Wheel Bearing Holder Sub-Assy	1
22	26151138	Blower Wheel Bearing Holder	1
23	3200103901	Electric Heater	1
Not Shown	45040037	Electric Heater Temperature Limiter	1
Not Shown	4601038101	Electric Heater Thermal Fuse (110°C)	1
24	01100100041	Evaporator Coil Assy	1
25	3900012123	Ambient Temperature Sensor	1
26	22411023	Discharge Air Grille	1
27	20001673	Front Panel	1
28	02111013	Front Panel Clip	2
29	none	Air Filter Brackets Sub-Assy	0
30	2016138202	Escutcheon Panel Sub-Assy	1
31	6306130903	Membrane Touch Pad	1
32	30562073	Display Board	1
33	11121029	Indoor Air Filter	1
34	20121070S	Control Panel Door	1
35	2000147503	Front Panel Assy	1
36	26111167	Control Board Support	1
37	30132172	Main Control Board 1	1
38	26111166	Control Board Support	1
39	30132164	Relay/Power Control Board 2	1
40	05212423	Temperature Sensor Sleeve	1



## ETAC2-15HP265VA-A (Cont.) 15,000 BTUH Heat Pump 265v Model

Product Code: GAA15AE-P3NRNB5

NO.	Part Code	Part Description	Qty
41	390000596	Indoor Coil Temperature Sensor	1
42	0122102605	Air Flue Assy	1
43	02111009	Heater Wiring Block Board	1
44	10351004	Indoor Blower Wheel (Cross Flow)	1
45	01701014P	Fan Motor Support Sub-Assy	1
46	01741023	Condenser Coil Mounting Bracket	1
47	1501180214	Indoor Fan Motor	1
48	0123115801	Main Partition Wall	1
49	430004032	4-Way Valve	1
50	03015200068	4-Way Valve Assy	1
51	01701039	Wall Sleeve Mounting Bracket (Right)	1
52	26111215	Wire Cover Housing	1
53	11121607	Vent Filter Sub-Assy	1
54	01441018P	Vent Air Door	1
55	07133001	One Way Valve	1
56	03000600257	Capillary Sub-Assy	1
57	4300040026	4-Way Valve Solenoid Coil	1
58	00181176	Compressor Overload Protector	1
59	76710223	Compressor Grommets	3
60	00101378	Compressor	1
Not Shown	03621422	Suction/Inhalation Tube 1	1
Not Shown	03511006	Discharge Tube 1	1
61	07101001	Drain Valve	1
62	0120124108P	Base Pan Sub-Assy	1
63	12311048	Condensate Foam Pan (Water Tray)	1
64	10000200006404	Electric Control Box Assy	1
65	01411050	Junction Box	1
66	01251015	Junction Cover	1
67	4402033402	Power Relay	1
68	3301074710	Capacitor CBB61	1
69	43110269	Transformer	1
70	33000081	Capacitor CBB65	1
71	3301074701	Capacitor CBB61S	1
72	42011103	Terminal Board	2
73	49010252	Heat Sink/Radiator	1
74	46010022	Fuse	1
75	42010039S	Thermostat Wiring Terminal Block (7-pins)	1
76	42010037	EM Wiring Terminal Block (2-pins)	1
Not Shown	62261101	Control Panel Blank out Label	1
Not Shown	ETAC-REMOTE-KIT-A	Remote Control Kit	1
Not Shown	E2CORD-265V-15A	Power Cord 265V 15A	1
Not Shown	E2CORD-265V-20A	Power Cord 265V 20A	1
Not Shown	E2CORD-265V-30A	Power Cord 265V 30A	1

