

DC INVERTER MULTI VRF SYSTEM TECHNICAL SALES GUIDE

(GC201804)

BETTER CONDITIONERS GREE MAKING BETTER CONDITIONERS GREE MAKING BETTER CONDITIONERS GREE MAKING BETTER CONDITIONERS GREE MAKING BETTER CONDITIONERS

TECHNICAL SALES GUIDE-60Hz
CAPACITY RANGE:24~60kbtu/h
SUPER HIGH AMBIENT OPERATION TO 118 °F

BETTER CONDITIONERS GREE MAKING BETTER CONDITIONERS GREE MAKING BETTER CONDITIONERS GREE MAKING BETTER CONDITIONERS GREE MAKING BETTER CONDITIONERS



R410A

CONTENTS

1 OUTLINE OF MULTI VRF.....	3
2 SUMMARY OF SYSTEM EQUIPMENTS	6
3 CONTROLLER.....	9
4 BASIC SYSTEM CONFIGURATION	10
5 EQUIPMENT SELECTION PROCEDURE	11
6 REFRIGERANT PIPING DESIGN.....	16
7 WIRING DESIGN	19
8 ACCESSORIES	21
9 TECHNICAL SPECIFICATIONS.....	22
10 FAN CHARACTERISTICS	27
11 DIMENSIONAL DRAWINGS	29

1 OUTLINE OF MULTI VRF

➔ 1.1 Product List

Model	GMV-24WL/C-T(U)
	GMV-28WL/C-T(U)
	GMV-36WL/A-T(U)
	GMV-48WL/A-T(U)
	GMV-60WL/A-T(U)

➔ 1.2 Product Features

1.2.1 Summary of Features

GMV5 mini DC Inverter Multi VRF System is the new generation of DC inverter multi VRF system that Gree developed independently. It is a single refrigeration system that made up of one air cooled outdoor unit connected with several direct evaporative indoor units of identical or different series or capacity. It provides processed air directly to an area or several areas, which is mainly applicable for household or light commercial facilities. This product is endowed with the features of high efficiency, high anti-interference ability, long connection pipe, wide operation range, good acoustic, intelligent capacity adjustment, all-around protection.

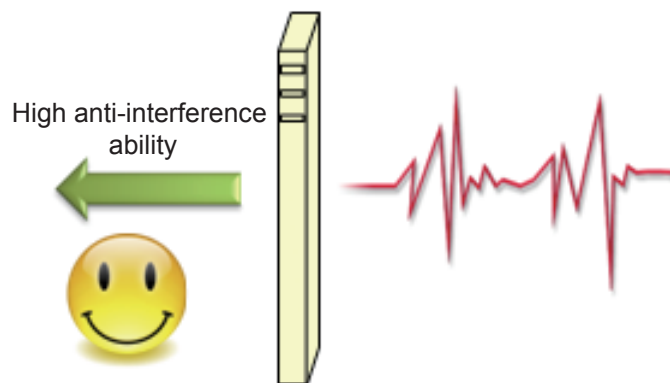
1.2.2 Introduction of Features

(1) High Efficiency

The system adopts all DC motor, which greatly improves efficiency. The energy efficiency for Gree all DC unit is increased greatly. SEER is up to 16; HSPF of GMV-24WL/C-T(U)、GMV-28WL/C-T(U)、GMV-36WL/A-T(U) and GMV-48WL/A-T(U) is up to 9; HSPF of GMV-60WL/A-T(U) is up to 8.2.

(2) Latest CAN Bus Communication

The latest communication way-CAN bus communication is adopted, which greatly improves anti-interference ability, precisely controls the indoor units and improves the reliability of system. Meanwhile, specialized shielded wire is not longer needed, while conventional communication wire can be used to increase the flexibility of project installation.

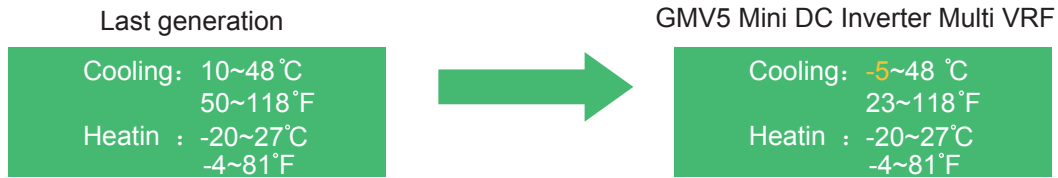


(3) Long Connection Pipe and Big Height Difference

The max length of connection reaches 300m(984ft)(total length). The connection pipe between indoor unit and outdoor unit can be as long as 120m(394ft). Project installation condition is wider while the limitation of installation distance is smaller. Branching joint and branching manifold can also be used. The max allowable height difference between indoor unit and outdoor unit is 50m(164ft) and that between indoor unit and indoor unit is 15m(49ft).

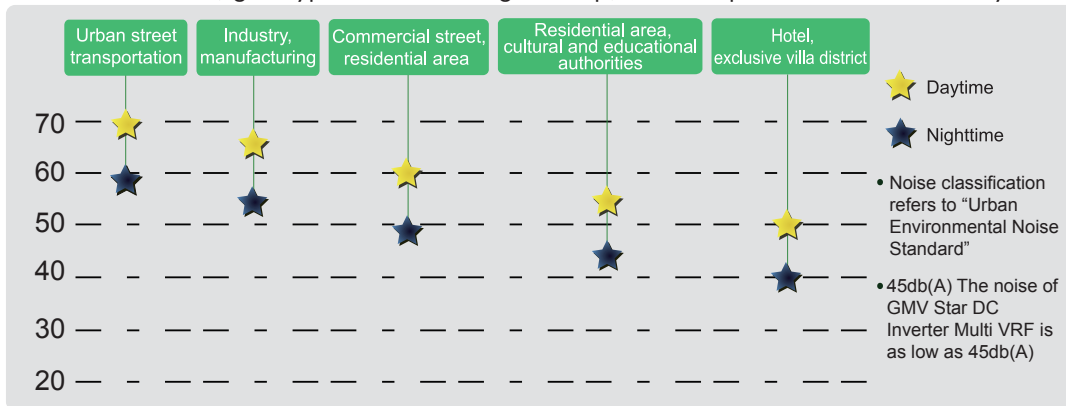
(4) Wide Operation Range

The system can operate constantly and reliably in a wide temperature range(cooling: -5~48°C(23~118°F), heating: -20~27°C(-4~81°F)), which is not affected by atrocious environment.



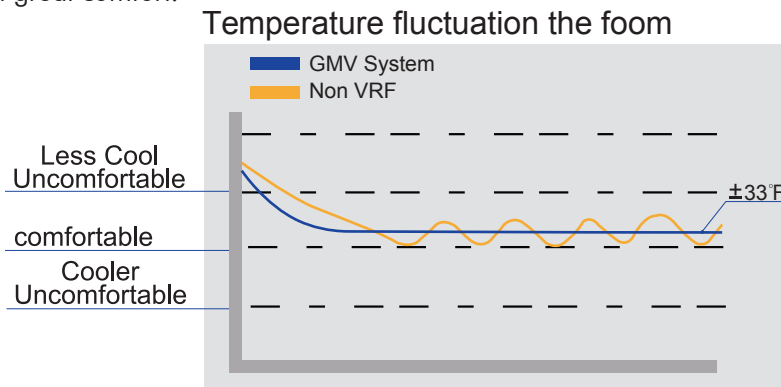
(5) Good Acoustic

A series of optimized measures are taken to solve the problem of indoor unit's throttling sound, indoor unit's oil return noise, gas bypass noise during start-up, which improves the comfort of system.



(6) PID Intelligent Capacity Adjustment

The system applies the original technology of PID intelligent capacity adjustment, which quickly and precisely controls indoor ambient temperature according to set temperature, with small temperature fluctuation and great comfort.



(7) Intelligent Control

1) Advanced DC inverter technology



- ① High-efficient magnetic reluctance inverter compressor: High-efficient magnetic reluctance compressor is adopted to take advantage of the magnetic reluctance torque of compressor. Under the same output capacity, the efficiency can be improved by 5%.
- ② Advanced torque control technology: minimum current and maximum torque control technology adopts the most optimized control principle to realize maximum torque output with minimum current and reduce loss of motor winding and intelligent power module for higher energy efficiency.
- ③ Closed-loop start-up technology of compressor: Self-innovative closed-loop start-up control is applied to enable output torque follow with load torque, whose start-up current is small and start-up is more reliable.
- ④ High-efficient numerical PFC control: High-efficient PFC control technology is applied to improve efficiency by approx. 1% compared with traditional PFC; for an air condition with rated power of

5KW, 50W can be saved per hour and 1.2kWh electricity can be saved per day.

- ⑤ 180° sine wave DC variable speed technology: 180° current output waveform is smooth sine wave with small harmonic wave content, small torque pulsation, wide adjustable range and stable operation of motor, which can satisfy the temperature requirement in various occasion, save electricity greatly and ensure user's comfort in maximum.
- 2) Beautiful humanized controller design
 - ① 24h timer on or timer off can be preset (countdown timer and clock timer); Detect ambient emperature precisely; 7 kinds of fan speed can be set;
 - ② Auto, cool, dry, fan or heat mode can be set;
 - ③ Master wired controller and sub-master wired controller can be set; several indoor units can be controlled simultaneously;
 - ④ Various functions can be set: sleep, ventilation, quiet (auto quiet), light, absence, energy-saving, clean, e-heater, x-fan, memory, etc.
- 3) High anti-interference ability
The latest communication way-CAN bus communication(non-polar communication) is adopted, which greatly improves anti-interference ability. Specialized shielded wire is not longer needed for communication wire between units, while conventional communication wire can be used to increase the flexibility of project installation.
- 4) Intelligent temperature control technology and intelligent defrosting mode are adopted
The system is with strong quick cooling/heating function, which can increase indoor temperature rapidly to set temperature and perform defrosting according to frosting situation.
- (8) Independent remote control, wired control, zone control, centralized control, long-distance monitoring and weekly timer control of indoor units are available.

2 SUMMARY OF SYSTEM EQUIPMENTS

➔ 2.1 Outdoor Unit

Model	Code	Ref.	Power Supply	Appearance
GMV-24WL/C-T(U)	CN850W0740	R410A	208/230V ~ 60Hz	
GMV-28WL/C-T(U)	CN850W0750	R410A	208/230V ~ 60Hz	
GMV-36WL/A-T(U)	CN850W0230	R410A	208/230V ~ 60Hz	
GMV-48WL/A-T(U)	CN850W0220	R410A	208/230V ~ 60Hz	
GMV-60WL/A-T(U)	CN850W0270	R410A	208/230V ~ 60Hz	

2.1.1 Nomenclature

GMV	□	-	□	□	□	□	W	□	/	□	□	□
1	2		3	4	5	6	7		8	9	10	
No.	Description		Options									
1	Product code		GMV-Gree Multi VRF Units									
2	Suitable climate		Blank-T1 condition; T2-low temperature climate; T3-high temperature climate									
3	Unit type		DC Inverter (omit)									
4	Function code		Q—Heat Recovery; S—Water Heater; W—Water-cooled Unit; X—Fresh Air Unit Leave blank if above functions are unavailable.									
5	Code of cooling capacity		Nominal capacity/1000(Btu/h)									
6	Unit structure		M—Modular (top discharge); L—Non-modular (side discharge); blank—Non-modular (top discharge)									
7	Refrigerant		R410A (omit)									
8	Design No.		Named in order of A, B, C, or combined with 1, 2, 3...									
9	Power supply		24000~61000Btu/h, 1 phase—omit; 3 phase—S									

Dc Inverter Multi VRF System Technical Sales Guide

2.1.2 Rated Conditions

	Indoor side inlet air status				Outdoor side inlet air status			
	Dry bulb temperature		Wet bulb temperature		Dry bulb temperature		Wet bulb temperature ^a	
	°C	°F	°C	°F	°C	°F	°C	°F
Cooling	26.7	80.0	19.4	67.0	35.0	95.0	23.9	75.0
Heating	21.1	70.0	15.6	60.0	8.3	47	6.1	43


2.1.3 Branching joints


	Model name	Usage	Appearance
Y-shape branching joint	GMV-24WL/C-T(U)	FQ01A/A	
	GMV-28WL/C-T(U)		
	GMV-36WL/A-T(U)		
	GMV-48WL/A-T(U)		
	GMV-60WL/A-T(U)		



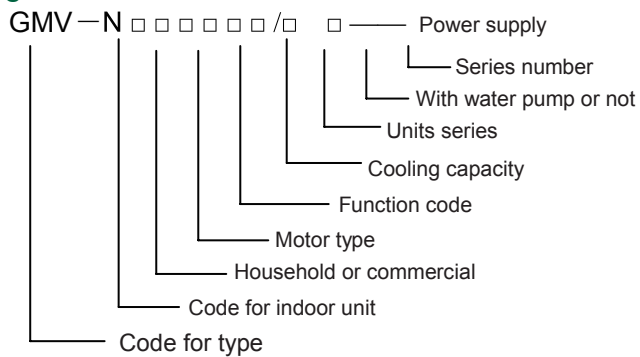
2.2 Indoor Unit

Type	Appearance	Model Name	Cooling Capacity		Heating Capacity	
			kW	Btu/h	kW	Btu/h
Duct type indoor unit		GMV-ND07PLS/A-T(U)	2.2	7500	2.5	8500
		GMV-ND09PLS/A-T(U)	2.8	9500	3.1	10500
		GMV-ND12PLS/A-T(U)	3.5	12000	4.0	13500
		GMV-ND14PLS/A-T(U)	4.0	13800	4.5	15500
		GMV-ND18PLS/A-T(U)	5.3	18000	5.9	20000
		GMV-ND22PLS/A-T(U)	6.3	22000	7.1	24000

Type	Appearance	Model Name	Cooling Capacity		Heating Capacity	
			kW	Btu/h	kW	Btu/h
Four-way Cassette		GMV-ND07T/A-T(U)	2.2	7500	2.5	8500
		GMV-ND09T/A-T(U)	2.8	9500	3.1	10500
		GMV-ND12T/A-T(U)	3.5	12000	4.0	13500
		GMV-ND15T/A-T(U)	4.4	15000	5	17000
		GMV-ND18T/A-T(U)	5.3	18000	5.9	20000
		GMV-ND24T/A-T(U)	7.0	24000	7.9	27000
		GMV-ND30T/A-T(U)	8.8	30000	10	34000
		GMV-ND36T/A-T(U)	10.6	36000	11.7	40000
		GMV-ND42T/A-T(U)	12.3	42000	13.8	47000
		GMV-ND48T/A-T(U)	14.1	48000	15.8	54000

Type	Appearance	Model Name	Cooling Capacity		Heating Capacity	
			kW	Btu/h	kW	Btu/h
Wall Mounted Type		GMV-N07G/A3A-D(U)	2.2	7500	2.5	8500
		GMV-N09G/A3A-D(U)	2.8	9500	3.2	11000
		GMV-N12G/A3A-D(U)	3.5	12000	4.0	13500
		GMV-N18G/A3A-D(U)	5.2	18000	5.8	20000
		GMV-N24G/A3A-D(U)	7.0	24000	7.5	25500

2.2.1 Nomenclature




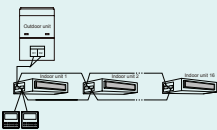

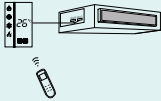

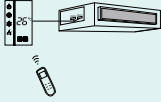
Code for multi VRF	—	Code for indoor unit	Motor type	Function code	Cooling capacity
GMV	—	N	D-DC motor Default-AC motor	R-heat pump L-cooling only X-fresh air W-dual heat sources Q-heat recovery Default-electric heating	Nominal cooling capacity/1000(Btu/h)

Dc Inverter Multi VRF System Technical Sales Guide

Classification	With water pump or not	Series number	Power supply
PL-Low static pressure duct type indoor unit; P-Standard static pressure duct type indoor; PH-High static pressure duct type indoor unit; PB-Thin duct type indoor unit; T-Four-way cassette; TD-Single-way cassette; TS-Two-way cassette; C-Floor mounting unit; ZD-Floor ceiling unit; G-Wall-mounted unit	With water pump-S(All cassette indoor units are with water pump, S is not presented in the model same)	A, B, C... or 1, 2, 3...	Select power supply code according to power supply specification

Power supply specification	Code
220V ~ ,60Hz; 208-230V ~ ,60Hz; 220-240V ~ ,60Hz; 208/230V ~ , 60Hz	D
220V ~ ,50Hz; 230V ~ ,50Hz; 220-230V ~ ,50Hz 240V ~ ,50Hz	E
220-240V ~ ,50Hz; 230-240V ~ ,50Hz	J
208-230V ~ ,60Hz and 220-240V ~ ,50Hz General	K
	T

3 CONTROLLER

Name	Model name	Appearance	Application	Function
Wired controller	XK42			<ol style="list-style-type: none"> 1) Elegant appearance and adopts big LCD screen with back light; 2) Ten touch buttons to avoid complicated combination buttons, which is convenient for operation; 3) Optional modes: Auto, cool, dry, fan, heat mode or floor heating, 3D heat supply(heating + floor heating) mode; 4) 7 kinds of fan speed; 5) Clock can be displayed and set; 24h preset ON or OFF is available (countdown, clock timer function); 6) Dual wired controllers can be equipped. The two wired controllers can control the same indoor unit simultaneously. Or one wired controller can control several indoor units simultaneously; 7) Settable functions: sleep, air, quiet(auto quiet), light, energy saving, E-heater, X-fan, memory, low ambient temperature drying, heating in absence, controllable drying and E-heater, filter cleaning reminding; 8) With project parameter viewing and setting functions, which is convenient for project installation and debugging; 9) Adopts dual wire power carrier communication technology, which means power supply and communication share the same two-core wire. Users can purchase the wire by themselves, flexible for project installation and wiring.
Remote controller	YAD1F			Besides the common functions, the following functions are also available: up&down swing, timer on, timer off, I-feel, sleep and 8°C heating operation, etc.
	YV1L1			Besides the common functions, the following functions are also available: up&down swing, left&right swing, quiet, timer on, timer off, sleep, I-feel, low ambient temperature drying and 8°C heating operation, etc.

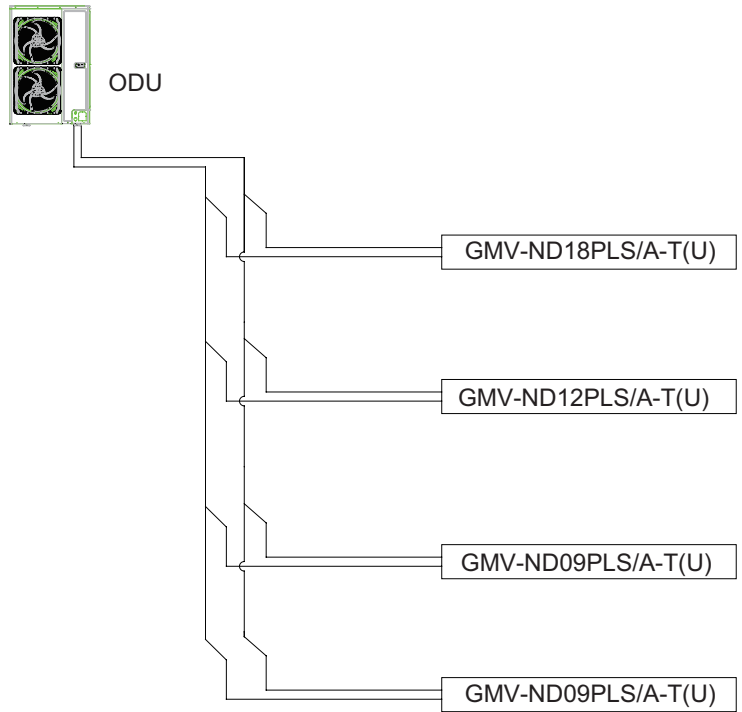
4 BASIC SYSTEM CONFIGURATION

4.1 System legend(ex.)

Model name of outdoor unit: GMV-48WL/A-T(U)

Allowed capacity code of indoor unit: Min:24000Btu/h Max: 64800Btu/h.

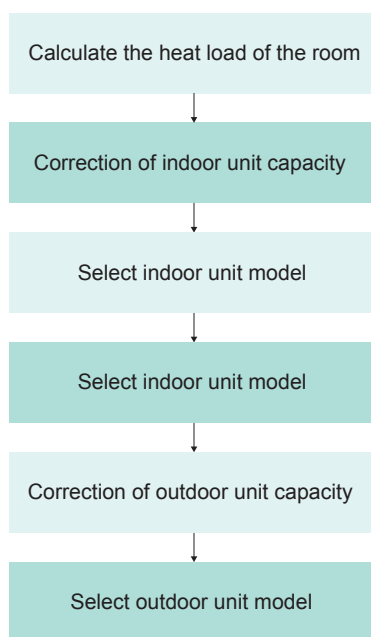
Note: The total capacity code of indoor units shall be within 50%~135% of the capacity code of selected outdoor unit.



GMV-160WL/A-T Total capacity code of indoor units is $18+12+9+9=48$, so the selected outdoor unit is. GMV-48WL/A-T(U).

5 EQUIPMENT SELECTION PROCEDURE

➔ 5.1 Selection flow chart



➔ 5.2 Combination conditions for indoor unit and outdoor unit

- 1) The capacity code of indoor units = The capacity code of indoor units = total capacity code of outdoor unit × (50%~135%).
- 2) For outdoor unit, maximum No. of connectable indoor units and total capacity code of indoor units are decided.

Model name of outdoor unit	Capacity code of outdoor unit		Max. No. of indoor units
	kW	Btu/h	
GMV-24WL/C-T(U)	7.0	24000	4
GMV-28WL/C-T(U)	8.2	28000	4
GMV-36WL/A-T(U)	11.0	37500	7
GMV-48WL/A-T(U)	14.1	48000	8
GMV-60WL/A-T(U)	17.6	60000	10

➔ 5.3 Cooling/Heating capacity characteristics

- (1) Cooling capacity calculation method.
- (2) Heating capacity calculation method.

Cooling or heating capacity calculation method:

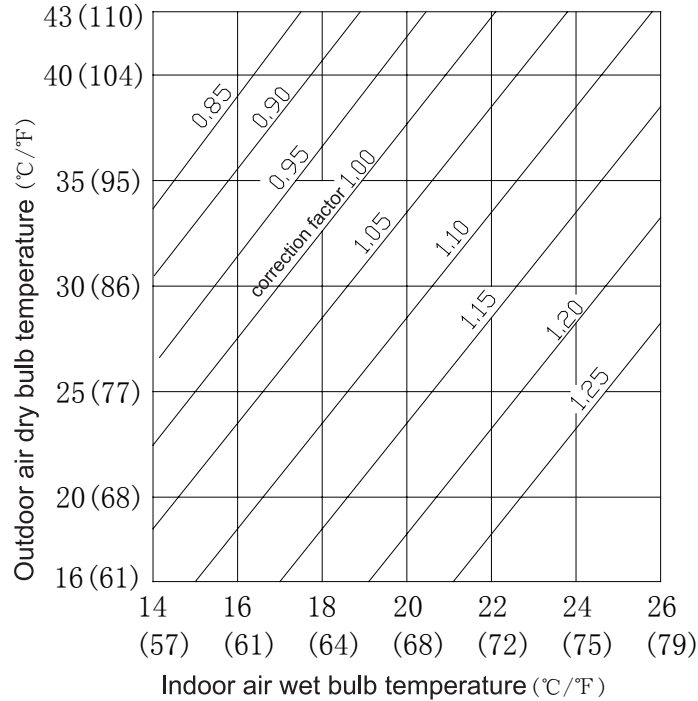
R410A outdoor unit capacity = outdoor unit capacity in rated condition × correction factor of indoor and outdoor temperature condition × connection pipe distance, correction factor of height difference between indoor unit and outdoor unit.

- ① If the total capacity code of indoor units is smaller than the capacity code of outdoor unit, the capacity of outdoor unit in rated condition equals to the total capacity code of indoor units;
- ② If the total capacity code of indoor units is bigger than the capacity code of outdoor unit, the capacity

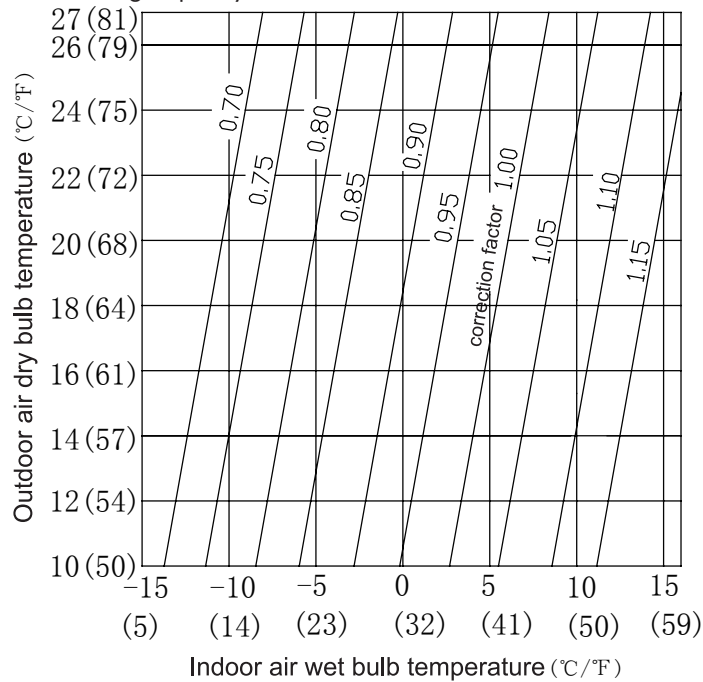
of outdoor unit in rated condition equals to its rated cooling capacity;

③ Correction factor of indoor and outdoor temperature condition.

1) Correction factor of cooling capacity



2) Correction factor of heating capacity



④ Correction factor of connection pipe distance and height difference

◆ Symbol instruction:

Hp: Height difference (m) between indoor unit and outdoor unit when indoor unit is lower than outdoor unit;

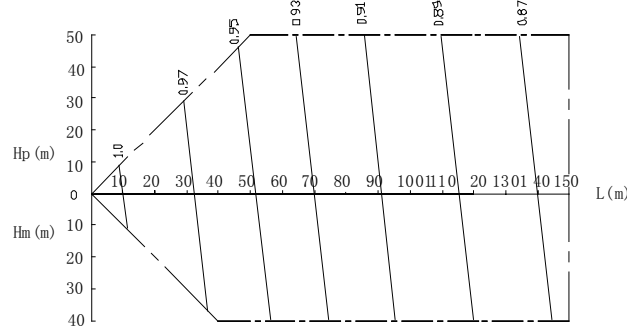
Hm: Height difference (m) between indoor unit and outdoor unit when indoor unit is higher than

Dc Inverter Multi VRF System Technical Sales Guide

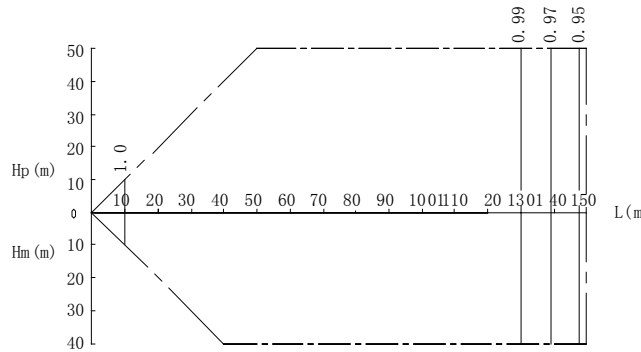
outdoor unit;

L: Single-pass equivalent connection pipe length L

- ◆ The following chart is the capacity change rate in 100% load under standard condition (thermostat is set in 16°C (61°F) in cooling and set in 30°C (86°F) in heating).



Change rate of cooling capacity



Change rate of heating capacity

Note:

(m)	0	10	20	30	40	50	60	70	80	90	100	110	120	130	140	150
(ft)	0	33	66	98	131	164	197	230	262	295	328	361	394	427	459	492

(3) Capacity of each indoor unit = Capacity of outdoor unit × Total capacity of indoor units / Total capacity of synchronously operating indoor units.

(4) Operating temperature rang.

	Temperature range	
	°C	°F
Cooling	-5~48	23~118
Heating	-20~27	-4~81

5.4 Example of equipment selection

(1) Overview of building model

a. Temperature condition

b. Outdoor temperature: 35°C (95 °F) DB; Indoor temperature: 17°C (81 °F) WB.

c. Load in cooling

		Room A	Room B	Room C	Room D
Load	Kw	2.4	3.2	2.4	4.7
	Btu/h	8200	10900	8200	16000

(2) Selection Criteria for each floor

Pipe length: 55m; Height difference between indoor unit and outdoor unit: 25m (indoor unit is higher than outdoor unit).

(3) Procedure and result of equipment selection

a. Procedure of equipment selection

Introduce the equipment selection procedure step by step.

b. Equipment selection and capacity check

① Selection of indoor unit.

Select suitable indoor unit according to the corrected load of indoor unit capacity. Corrected load of indoor unit capacity = Load / Corrected ratio of cooling capacity related to temperature condition. Referring to the corrected ratio chart of cooling capacity related to temperature condition, under outdoor temperature of 35°C (95 °F) DB and indoor temperature of 17°C (81 °F) WB, the corrected ratio of cooling capacity is 0.94.

Selection result is as below:

		Room A	Room B	Room C	Room D
Corrected load of capacity	Kw	2.55	3.40	2.55	5.0
	Btu/h	8720	11600	8720	17020
Unit size		09	12	09	18

② Selection of outdoor unit

The total capacity code of indoor units is 48. Please select suitable outdoor unit according to the total capacity of indoor units and corrected situation. Capacity of outdoor unit = Total capacity of indoor units / (Corrected ratio of cooling capacity related to temperature condition × Correction of connection pipe length and height difference). After calculating the capacity of outdoor unit, select suitable outdoor unit according to 50%~135% of the capacity of outdoor unit.

In the example, capacity of outdoor unit = 48 / (0.94 × 0.95) = 54.

Select the outdoor unit with capacity code of 160 and nominal cooling capacity of 14.1Kw(48000Btu/h).

The capacity code ratio between indoor unit and outdoor unit is 48/48 × 100% = 100%, which is within 50%~135% and accords with the equipment selection standard.

③ Correction of outdoor unit capacity

Suppose the combination situation between indoor unit and outdoor unit is as below, GMV-48WL/A-T(U).

Indoor unit: GMV-ND09PLS/A-T(U) × 2, GMV-ND12PLS/A-T(U) × 1, GMV-ND18PLS/A-T(U) × 1

If the total capacity code of indoor units is bigger than the capacity code of outdoor unit, the capacity of outdoor unit in rated condition equals to its rated cooling capacity. So the capacity of outdoor unit under rated condition is 14.1Kw(48000Btu/h).

④ Referring to the corrected ratio chart of cooling capacity related to temperature condition, under outdoor temperature of 35 °C (95 °F) DB and indoor temperature of 17 °C (81 °F) WB, the corrected ratio of cooling capacity is 0.94.

⑤ Referring to the corrected ratio of connection pipe of 55m (180ft) long and height difference between indoor unit and outdoor unit of 25m (82ft) (outdoor unit is lower than indoor unit), the corrected ratio is 0.95.

Capacity of outdoor unit = 48 × 0.94 × 0.95 = 12.59Kw (42.86Btu/h)

⑥ Correction of indoor unit capacity

Capacity of each indoor unit = Capacity of outdoor unit × Total capacity of indoor units / Total capacity of synchronously operating indoor units.

GMV-ND09PLS/A-T(U): 48 × 9 / 48 = 9kBtu/h

GMV-ND12PLS/A-T(U): 48 × 12 / 48 = 12kBtu/h

GMV-ND09PLS/A-T(U): 48 × 18 / 48 = 18kBtu/h

Dc Inverter Multi VRF System Technical Sales Guide

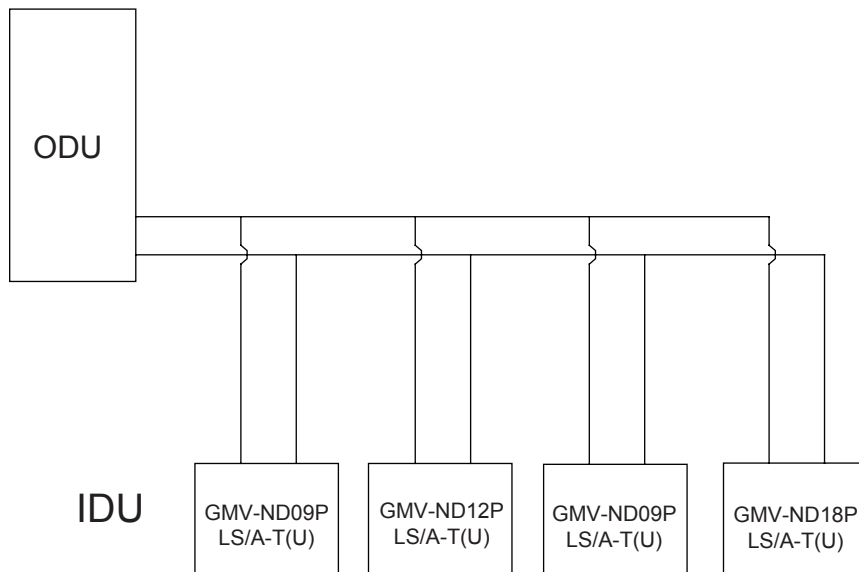
The result is as below:

Air conditioning load			Equipment selection			
Floor	RoomNo	Indoor air conditioning load	Indoor unit		Outdoor unit	
		Cooling (Btu/h)	Model	Capacity (Btu/h)	Model	Capacity(Btu/h)
				Cooling		Cooling
1	A	8200	GMV-ND09PLS/A-T(U)	9500	GMV-48WL/A-T(U)	48000
	B	10900	GMV-ND12PLS/A-T(U)	12000		
	C	8200	GMV-ND09PLS/A-T(U)	9500		
	D	16000	GMV-ND18PLS/A-T(U)	18000		

Floor	Room No.	Piping distance				Capacity correction		Capacity check after correction		Judgment
		Equivalent length		Height difference		Pipe correction × temp. correction		Capacity		
		m	Ft	m	Ft	kW	Btu/h	kW	Btu/h	
1	A	85	280	25 (ODU is lower than IDU)	82m(ODU is lower than IDU)	12.56	42860	2.55	8720	The selection should accord with the standard
	B							3.40	11600	
	C							2.55	8720	
	D							5.00	17020	

c.Schematic diagram

Explain the location of units in each room and connection way of indoor unit and outdoor unit with single-line chart.



6 REFRIGERANT PIPING DESIGN

6.1 Warning on refrigerant leakage

(1) Introduction of leakage detection method

Procedures of leakage detection. Before ex-factory, the cut-off valves of gas pipe and liquid pipe of outdoor unit are closed. Please confirm it before installation. Before testing, apply some suitable lubricant on the joint of cap and pipe. Use two wrenches when fixing the cap. Connecting outdoor pipeline for testing is not allowed during leakage detection. The testing pressure of R410A system is 4.15MPa (for R22 system, it is 3.0Mpa). The medium of airproof test must be dry nitrogen. Increase the pressure slowly in three steps:

Step one: Slowly increase pressure to 0.5MPa and maintain pressure for 5min. Big leakage may be found during leakage detection;

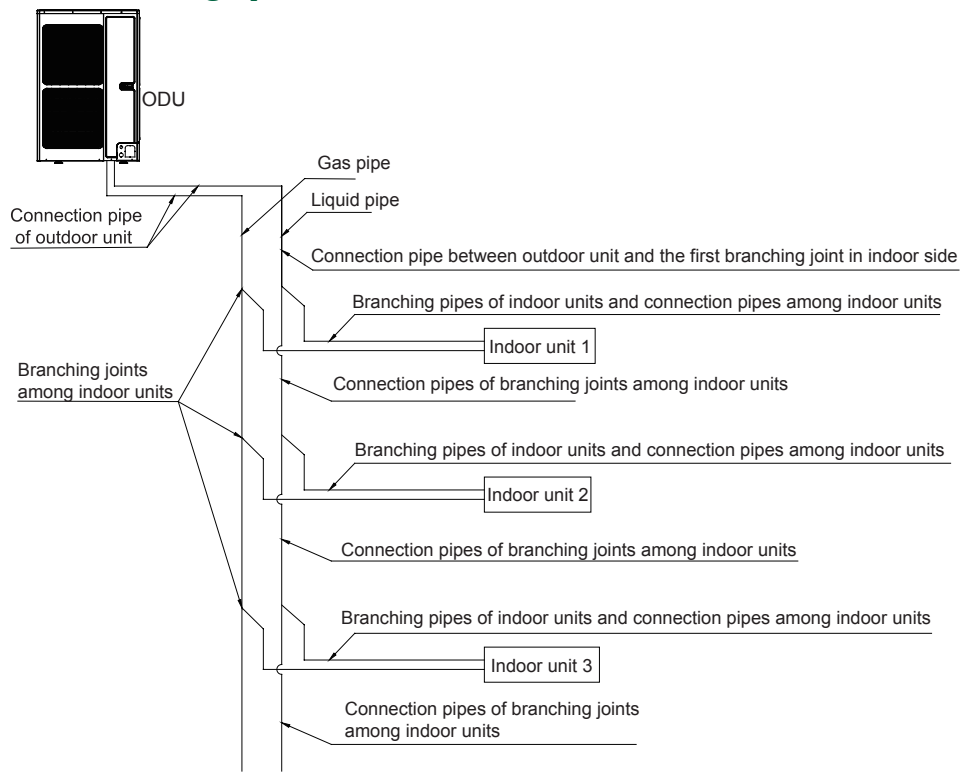
Step two: Slowly increase pressure to 1.5MPa and maintain pressure for 5min. Small leakage may be found during airproof test;

Step three: For R410A system, slowly increase pressure to 4.15MPa (for R22 system, it is 3.0Mpa) and maintain pressure for 5min. Tiny leakage may be found during strength test. Increase pressure to testing pressure and maintain pressure for 24h. Check if the pressure decreases. The test is passed if pressure doesn't decrease.

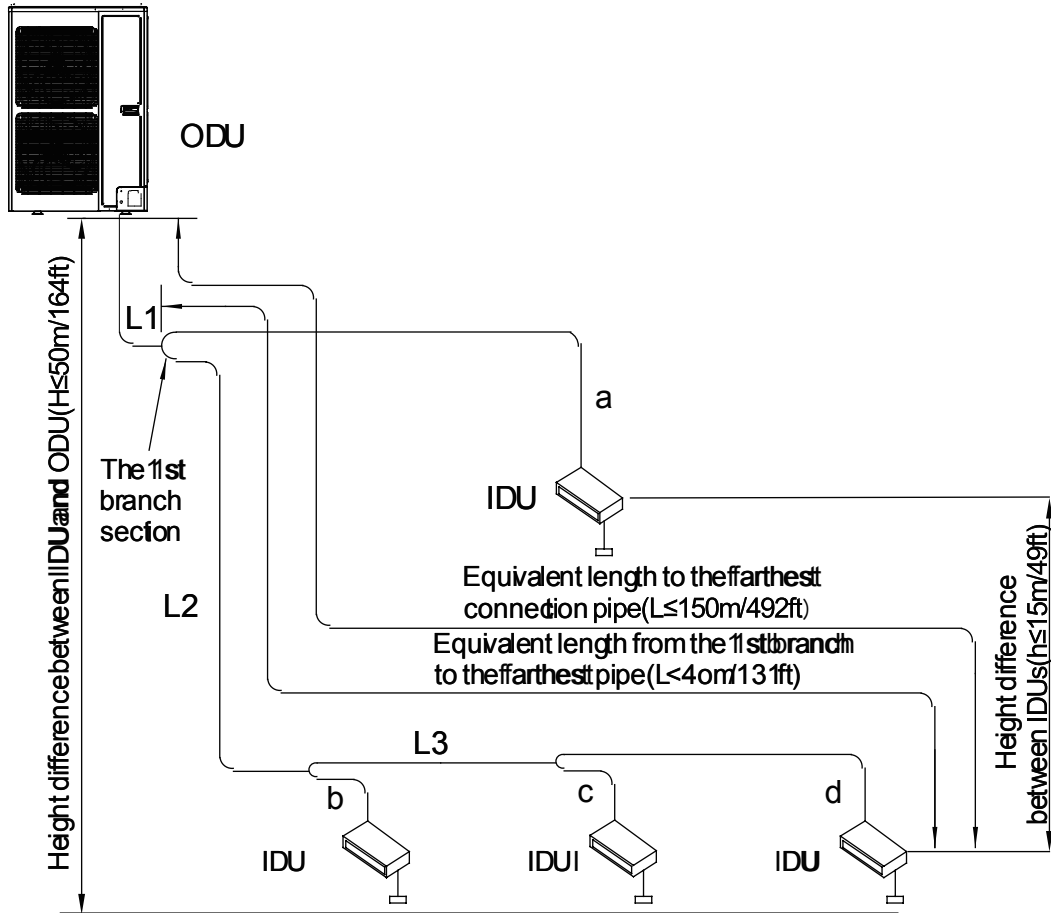
(2) Introduction of handling method of leakage

Firstly, discharge the refrigerant and then charge nitrogen for leakage welding. The nitrogen charging way is the same as that in airproof test. Blow away the impurities and clean the pipeline after finishing welding. Finally, rearrange airproof test for leakage detection until there is no leakage.

6.2 Free branching system



➔ 6.3 Allowable length/height difference of refrigerant piping



Each Y-type branch equals to 0.5m (1-5/8ft) and each branch head requires to 1.0m (3-1/4ft).

NOTICE! The equivalent length of one Y shape branching joint is 0.5m (1-5/8ft).

		Allowable value		Piping section	
		M	Ft		
Pipe length	Total extension of pipe (Liquid pipe, real length)	250	820	L1+L2+L3+a+b++c+d	
	Farthest piping length	Real length	100	328	L1+L2+L3+d
		Equivalent length	120	394	
	Equivalent length of farthest piping from 1st branching	40	131	L2+L3+d	
Height difference	Height between indoor and outdoor units	Upper outdoor unit	30	98	—
		Lower outdoor unit	30	98	—
	Height between indoor units	Upper outdoor unit	10	33	—
		Lower outdoor unit	10	33	—

6.4 Selection of refrigerant piping

(1) Size of main pipe

Model	Pipe dimension			
	Gas pipe		Liquid pipe	
	mm	inch	mm	inch
GMV-24WL/C-T(U)	Ø15.9	5/8	Ø9.52	3/8
GMV-28WL/C-T(U)	Ø15.9	5/8	Ø9.52	3/8
GMV-36WL/A-T(U)	Ø15.9	5/8	Ø9.52	3/8
GMV-48WL/A-T(U)	Ø15.9	5/8	Ø9.52	3/8
GMV-60WL/A-T(U)	Ø19.05	3/4	Ø9.52	3/8

(2) Pipe size between branching joints

Total capacity of downstream indoor units C (Btu/h)	Gas pipe		Liquid pipe	
	mm	inch	mm	inch
$C \leq 19000$	Ø12.7	1/2	Ø6.35	1/4
$19000 < C \leq 48500$	Ø15.9	5/8	Ø9.52	3/8
$48500 < C \leq 75000$	Ø19.05	3/4	Ø9.52	3/8

(3) Piping of indoor unit

Rated capacity of IDU C (Btu/h)	Gas pipe		Liquid pipe	
	mm	inch	mm	inch
$C \leq 9600$	Ø9.52	3/8	Ø6.35	1/4
$9600 < C \leq 17000$	Ø12.7	1/2	Ø6.35	1/4
$17000 < C \leq 48000$	Ø15.9	5/8	Ø9.52	3/8
$48000 < C \leq 55000$	Ø19.05	3/4	Ø9.52	3/8
$55000 < C \leq 96000$	Ø22.2	7/8	9.52	3/8

(4) Selection for branching section

R410A Refrigerant system	Total capacity of downstream indoor units C (Btu/h)	Model
Y type branch	$C \leq 68200$	FQ01A/A
	$68200 \leq C \leq 102400$	FQ01B/A
	$102400 \leq C \leq 238800$	FQ02/A
	$238800 \leq C \leq 460600$	FQ03/A
	$460600 \leq C$	FQ04/A

6.5 Charging requirement with additional refrigerant

(1) Refrigerant in the system when shipped from the factory

Model	Refrigerant Qty	GMV-24WL/ C-T(U)	GMV-28WL/ C-T(U)	GMV-36WL/ A-T(U)	GMV-48WL/ A-T(U)	GMV-60WL/ A-T(U)
		kg	2.4	2.4	5.0	5.0
	oz	84.7	84.7	176	176	229

(2) Additional refrigerant charge amount = \sum Length of liquid pipe \times refrigerant charge amount per meter

Note:

- ① The refrigerant amount inside the system before ex-factory doesn't include the required additional refrigerant charge amount inside the pipeline system of indoor units and the pipeline system connecting indoor unit and outdoor unit.
- ② For the length of connection pipe in field, the required additional refrigerant charge amount shall be confirmed according to liquid pipe size in field and its length.

③ Record additional refrigerant charge amount for future reference.

Note: If the total length of liquid pipe is within 20m, no additional refrigerant is needed.

When the compressor is not working after ensuring there is no leakage, charge the required additional refrigerant amount to the unit from the valve of liquid pipe of outdoor unit. When the pipe pressure increases and the additional refrigerant can't be charged to the required amount quickly, please set the unit in cooling operation status and charge refrigerant from the low pressure maintenance port of outdoor unit.

7 WIRING DESIGN

7.1 General wiring principle

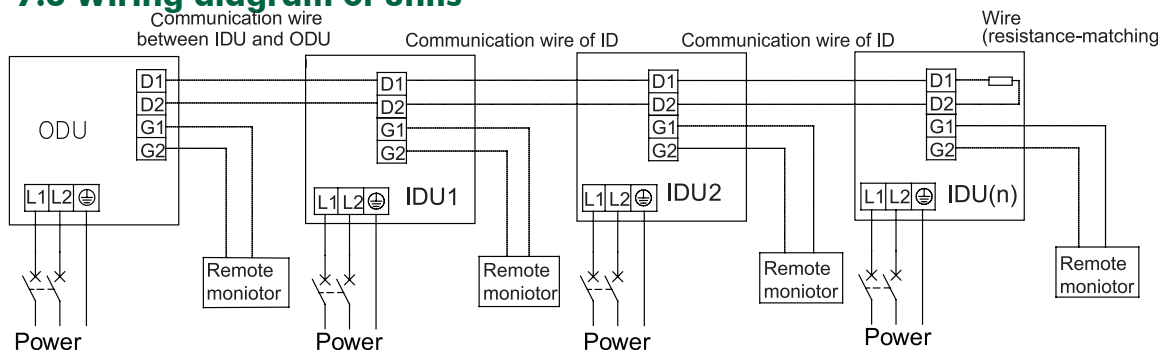
- (1) All electrical work shall be done by professionals according to national and local laws and regulations.
- (2) The unit must be grounded reliably according to the related requirement of GB 50169.
- (3) Connect wire according to the wiring diagram stuck on the unit.

7.2 Electrical wiring design

- (1) Wiring drawing
- (2) Selection of power supply cord and fuse of units

Model	Power supply	Max Fuse Size/ Fusible Max. (A)	Max Ckt, Bkr Size/ Disjoncteur Max. (A)	Min. Circuit Ampacity
GMV-24WL/C-T(U)	208/230V~ 60Hz	25	25	21
GMV-28WL/C-T(U)	208/230V~ 60Hz	30	30	21
GMV-36WL/A-T(U)	208/230V~ 60Hz	35	35	31
GMV-48WL/A-T(U)	208/230V~ 60Hz	45	45	34
GMV-60WL/A-T(U)	208/230V~ 60Hz	60	60	39.8

7.3 Wiring diagram of units



7.4 Parameters

(1) Outdoor unit

Model	GMV-24WL/C-T (U)	GMV-28WL/C-T (U)	GMV-36WL/A-T (U)	GMV-48WL/A-T (U)	GMV-60WL/A-T (U)	
MCA	A	21	21	31	34	39.8
MOP	A	25	30	35	45	60

(2) Indoor unit

Low Static Pressure Duct Type Indoor Unit

Model		GMV-ND07PLS/ A-T(U)	GMV-ND09PLS/ A-T(U)	GMV-ND12PLS/ A-T(U)	GMV-ND14PLS/ A-T(U)	GMV-ND18PLS/ A-T(U)	GMV-ND22PLS/ A-T(U)
MCA	A	0.25	0.25	0.25	0.38	0.63	0.63
MOP	A	0.45	0.45	0.45	0.68	1.13	1.13

4-way Cassette Indoor Unit

Model		GMV-ND07T/ A-T(U)	GMV-ND09T/ A-T(U)	GMV-ND12T/ A-T(U)	GMV-ND15T/ A-T(U)	GMV-ND18T/ A-T(U)
MCA	A	0.25	0.25	0.25	0.25	0.31
MOP	A	0.45	0.45	0.45	0.45	0.56
Model		GMV-ND24T/ A-T(U)	GMV-ND30T/ A-T(U)	GMV-ND36T/ A-T(U)	GMV-ND42T/ A-T(U)	GMV-ND48T/ A-T(U)
MCA	A	0.31	0.44	0.44	0.44	0.44
MOP	A	0.56	0.79	0.79	0.79	0.79

Wall Mounted type Indoor Unit

Model		GMV-N07G/ A3A-D(U)	GMV-N09G/ A3A-D(U)	GMV-N12G/ A3A-D(U)	GMV-N18G/ A3A-D(U)	GMV-N24G/ A3A-D(U)
MCA	A	0.25	0.25	0.26	0.26	0.39
MOP	A	0.45	0.45	0.47	0.47	0.70

Legend:

MCA: Minimum Circuit Amps

MOCP: Maximum Overcurrent Protection(Amps)

FLA: Full Load Amps

kW: Fan Motor Rated Output(kW)

8 ACCESSORIES

(1) Outdoor unit

Model name	Standard	Option	Provide for oneself
GMV-24WL/C-T(U)	√		
GMV-28WL/C-T(U)	√		
GMV-36WL/A-T(U)	√		
GMV-48WL/A-T(U)	√		
GMV-60WL/A-T(U)	√		
FQ01A/A Y shape branching joint		√	
Condensate pipe			√
Power cord			√
Filter		√	
Oil return elbow		√	
Signal wires among units	√		

(2) Indoor unit

Model name	Standard	Option	Provide for oneself
XK46 Wired Controller	√		
YV1L1 remote controller		√	
YAD1F remote controller		√	
Screw M4X25 (Cross recessed small pan head screw)	√		
Drain Hose Assembly	√		
Union Nut Assembly	√		
Nut with Washer	√		
Nut M10 (Type 1 Hex Nut)	√		
Nut 10 (Type 1 Hex Nut)	√		
Heating Jacket of Header	√		
Heating Jacket of Liquid-in Pipe	√		
Sponge of Drain Pipe	√		
Cable Tie	√		

(3) Controller

Model name	Standard	Option	Provide for oneself
Wired controller XK62	√		
Central controller CE53-24/F(C)		√	

9 TECHNICAL SPECIFICATIONS

(1) Indoor unit

◆ Low Static Pressure Duct Type IDU

Model		GMV-ND07PLS/A-T(U)	GMV-ND09PLS/A-T(U)	GMV-ND12PLS/A-T(U)	GMV-ND14PLS/A-T(U)	GMV-ND18PLS/A-T(U)	GMV-ND22PLS/A-T(U)	
Product Code		CM810N0080	CM810N0090	CM810N0100	CM810N0120	CM810N0070	CM810N0110	
Cooling Capacity	Btu/h	7500	9500	12000	14000	18000	22000	
	kW	2.2	2.8	3.5	4.0	5.3	6.3	
Heating Capacity	Btu/h	8500	10500	13500	15000	20000	24000	
	kW	2.5	3.1	4.0	4.5	5.9	7.1	
Casing finish		Galvanized Steel plate						
Dimensions (W×D×H)	outline	mm	700×615×200	700×615×200	700×615×200	900×615×200	1100×615×200	1100×615×200
		inch	27-1/2×24-1/4×7-7/8	27-1/2×24-1/4×7-7/8	27-1/2×24-1/4×7-7/8	35-3/8×24-1/4×7-7/8	43-1/4×24-1/4×7-7/8	43-1/4×24-1/4×7-7/8
	Packaging	mm	893×743×305	893×743×305	893×743×305	1123×743×305	1323×743×305	1323×743×305
		inch	35-1/8×29-1/4×12	35-1/8×29-1/4×12	35-1/8×29-1/4×12	44-1/2×29-1/4×12	52×29-1/4×12	52×29-1/4×12
Net Weight	lbs.	51	51	51	60	69	69	
	kg	23	23	23	27	31	31	
Gross Weight	lbs.	64	64	64	73	86	86	
	kg	29	29	29	33	39	39	
Pipe Connection	Liquid Side	mm	Ø6.35	Ø6.35	Ø6.35	Ø6.35	Ø9.52	Ø9.52
		inch	Ø1/4	Ø1/4	Ø1/4	Ø1/4	Ø3/8	Ø3/8
	Gas Side	mm	Ø9.52	Ø12.7	Ø12.7	Ø12.7	Ø15.9	Ø15.9
		inch	Ø3/8	Ø1/2	Ø1/2	Ø1/2	Ø5/8	Ø5/8
	Drain Pipe	mm	Ø25					
		inch	Ø1					
Power supply		1-phase 208/230V~60Hz						
Sound Pressure Level(H/M/L)	dB(A)	31/29/25	31/29/25	32/30/27	33/31/28	35/33/30	35/33/30	
Heat Exchanger		Fenestrate plain film --hydrophilic film						
Air Filter		PP						
Refrigeration Control Device		EXV						
Protection Device		Fuse						

Dc Inverter Multi VRF System Technical Sales Guide

◆ 4-way Cassette Type IDU

Model		GMV-ND07T/ A-T(U)	GMV-ND09T/ A-T(U)	GMV-ND12T/ A-T(U)	GMV-ND15T/ A-T(U)	GMV-ND18T/ A-T(U)	
Product Code		CM500N0520	CM500N0530	CM500N0540	CM810N0130	CM500N0510	
Cooling Capacity	Btu/h	7500	9500	12000	15000	18000	
	kW	2.2	2.8	3.5	4.4	5.3	
Heating Capacity	Btu/h	8500	10500	13500	17000	20000	
	kW	2.5	3.1	4.0	5	5.9	
Casing finish		Galvanized Steel plate					
Dimensions (W×D×H)	Body outline	mm	840×840×190	840×840×240	840×840×240	840×840×240	840×840×240
		inch	33×33×7 1/2	33×33×9-1/2	33×33×9-1/2	33×33×9-1/2	33×33×9-1/2
	Body Packaging	mm	960×960×257	960×960×310	960×960×310	960×960×310	960×960×310
		inch	37-3/4×37-3/4×10-1/8	37-3/4×37-3/4×12-1/4	37-3/4×37-3/4×12-1/4	37-3/4×37-3/4×12-1/4	37-3/4×37-3/4×12-1/4
	Panel outline	mm	950×950×65	950×950×65	950×950×65	950×950×65	950×950×65
		inch	37-3/8×37-3/8×2-1/2	37-3/8×37-3/8×2-1/2	37-3/8×37-3/8×2-1/2	37-3/8×37-3/8×2-1/2	37-3/8×37-3/8×2-1/2
	Panel Packaging	mm	1030×1035×118	1030×1035×118	1030×1035×118	1030×1035×118	1030×1035×118
		inch	40-1/2×40-1/2×4-5/8	40-1/2×40-1/2×4-5/8	40-1/2×40-1/2×4-5/8	40-1/2×40-1/2×4-5/8	40-1/2×40-1/2×4-5/8
Net Weigh	Main Body	lbs.	50	58	58	58	58
		kg	22.5	26.5	26.5	26.5	26.5
	Panel	lbs.	15-3/8	15-3/8	15-3/8	15-3/8	15-3/8
		kg	7.0	7.0	7.0	7.0	7.0
Gross Weigh	Main Body	lbs.	64	75	75	75	75
		kg	29	34	34	34	34
	Panel	lbs.	24-1/4	24-1/4	24-1/4	24-1/4	24-1/4
		kg	11.0	11.0	11.0	11.0	11.0
Pipe Connections	Liquid Side	mm	Ø6.35	Ø6.35	Ø6.35	Ø6.35	Ø9.52
		inch	Ø1/4	Ø1/4	Ø1/4	Ø1/4	Ø3/8
	Gas Side	mm	Ø9.52	Ø12.7	Ø12.7	Ø12.7	Ø15.9
		inch	Ø3/8	Ø1/2	Ø1/2	Ø1/2	Ø5/8
	Drain Pipe	mm	Ø25				
		inch	Ø1				
Power supply		1-phase 208/230V~60Hz					
Sound Pressure Level (H/M/L)	dB(A)	36/34/31	37/35/32	37/35/32	37/35/32	37/35/32	
Heat Exchanger		Fenestrate plain film --hydrophilic film					
Air Filter		PP	PP	PP	PP	PP	
Insulation Material		Foamed polystyrene					
Refrigeration Control Device		EXV	EXV	EXV	EXV	EXV	
Protection Device		Fuse	Fuse	Fuse	Fuse	Fuse	
Panel name		TC01	TC01	TC01	TC01	TC01	

Model		GMV-ND24T/A-T(U)	GMV-ND30T/A-T(U)	GMV-ND36T/A-T(U)	GMV-ND42T/A-T(U)	GMV-ND48T/A-T(U)	
Product code		CM500N0550	CM500N0560	CM500N0570	CM500N0580	CM500N0590	
Cooling Capacity	Btu/h	24000	30000	36000	42000	48000	
	kW	7	8.8	10.6	12.3	14.1	
Heating Capacity	Btu/h	27000	34000	40000	47000	54000	
	kW	7.9	10	11.7	13.8	15.8	
Casing finish		Galvanized Steel plate					
Dimensions (W×D×H)	Body outline	mm	840×840×240	840×840×320	840×840×320	840×840×320	840×840×320
		inch	33×33×9-1/2	33×33×12-5/8	33×33×12-5/8	33×33×12-5/8	33×33×12-5/8
	Body Packaging	mm	960×960×310	960×960×394	960×960×394	960×960×394	960×960×394
		inch	37-3/4×37-3/4×12-1/4	37-3/4×37-3/4×15-1/2	37-3/4×37-3/4×15-1/2	37-3/4×37-3/4×15-1/2	37-3/4×37-3/4×15-1/2
	Panel outline	mm	950×950×65	950×950×65	950×950×65	950×950×65	950×950×65
		inch	37-3/8×37-3/8×2-1/2	37-3/8×37-3/8×2-1/2	37-3/8×37-3/8×2-1/2	37-3/8×37-3/8×2-1/2	37-3/8×37-3/8×2-1/2
	Panel Packaging	mm	1030×1035×118	1030×1035×118	1030×1035×118	1030×1035×118	1030×1035×118
		inch	40-1/2×40-1/2×4-5/8	40-1/2×40-1/2×4-5/8	40-1/2×40-1/2×4-5/8	40-1/2×40-1/2×4-5/8	40-1/2×40-1/2×4-5/8
Net Weight	Main Body	lbs.	58	72	72	72	72
		kg	26.5	32.5	32.5	32.5	32.5
	Panel	lbs.	15-3/8	15-3/8	15-3/8	15-3/8	15-3/8
		kg	7.0	7.0	7.0	7.0	7.0
Gross Weight	Main Body	lbs.	75	88	88	88	88
		kg	34	40	40	40	40
	Panel	lbs.	24-1/4	24-1/4	24-1/4	24-1/4	24-1/4
		kg	11.0	11.0	11.0	11.0	11.0
Pipe Connections	Liquid Side	mm	Ø9.52	Ø9.52	Ø9.52	Ø9.52	Ø9.52
		inch	Ø3/8	Ø3/8	Ø3/8	Ø3/8	Ø3/8
	Gas Side	mm	Ø15.9	Ø15.9	Ø15.9	Ø15.9	Ø15.9
		inch	Ø5/8	Ø5/8	Ø5/8	Ø5/8	Ø5/8
	Drain Pipe	mm	Ø25				
		inch	Ø1				
Power supply		1-phase 208/230V~60Hz					
Sound Pressure Level(H/M/L)	dB(A)	38/36/33	40/38/35	41/38/36	43/41/38	43/41/38	
Heat Exchanger		Fenestrate plain film --hydrophilic film					
Air Filter		PP	PP	PP	PP	PP	
Insulation Material		Foamed polystyrene					
Refrigeration Control Device		EXV	EXV	EXV	EXV	EXV	
Protection Device		Fuse	Fuse	Fuse	Fuse	Fuse	
Panel name		TC01	TC01	TC01	TC01	TC01	

Dc Inverter Multi VRF System Technical Sales Guide

◆ Features of Wall Mounted

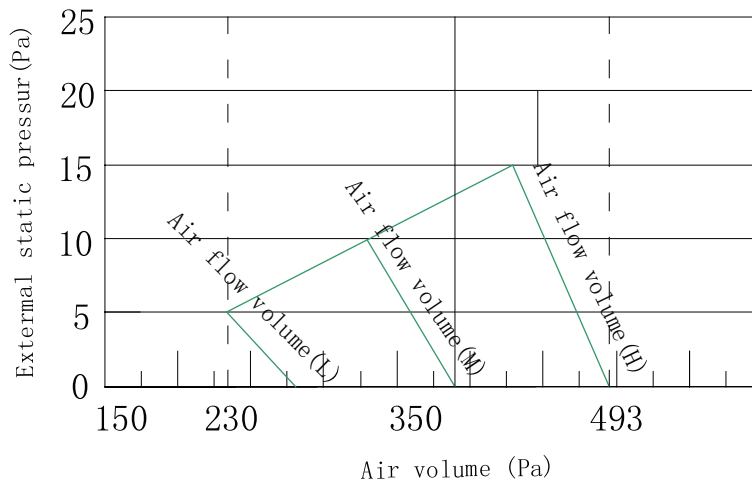
Model		GMV-N07G/A3A-D(U)	GMV-N09G/A3A-D(U)	GMV-N12G/A3A-D(U)	GMV-N18G/A3A-D(U)	GMV-N24G/A3A-D(U)	
Product code		CM100N1480	CM100N1490	CM100N1500	CM100N1510	CM100N1520	
Cooling Capacity	Btu/h	7500	9500	12000	18000	24000	
	kW	2.2	2.8	3.5	5.2	7	
Heating Capacity	Btu/h	8500	11000	13500	20000	25500	
	kW	2.5	3.2	4	5.8	7.5	
Casing finish		Galvanized Steel plate					
Dimensions (W×D×H)	outline	mm	843×180×275	843×180×275	940×200×298	940×200×298	1008×221×319
		inch	33 1/5×7×10 5/6	33 1/5×7×10 5/6	37×7 7/8×11 3/4	37×7 7/8×11 3/4	39 2/3×8 5/7×12 5/9
	Packaging	mm	973×258×370	973×258×370	1068×288×395	1068×288×395	1131×398×328
		inch	38 1/3×10 1/6×14 4/7	38 1/3×10 1/6×14 4/7	42×11 1/3×15 5/9	42×11 1/3×15 5/9	44 1/2×15 2/3×13
Net Weight	lbs.	22	22	27.6	27.6	33.1	
	kg	10	10	12.5	12.5	15	
Gross Weight	lbs.	27.6	27.6	33.1	33.1	40.8	
	kg	12.5	12.5	15	15	18.5	
Pipe Connections	Liquid Side	mm	Ø6.35	Ø6.35	Ø6.35	Ø9.52	Ø9.52
		inch	Ø1/4	Ø1/4	Ø1/4	Ø3/8	Ø3/8
	Gas Side	mm	Ø9.52	Ø9.52	Ø12.7	Ø15.9	Ø15.9
		inch	Ø3/8	Ø3/8	Ø1/2	Ø5/8	Ø5/8
	Drain Pipe	mm	Ø17	Ø17	Ø17	Ø17	Ø17
		inch	Ø2/3	Ø2/3	Ø2/3	Ø2/3	Ø2/3
Power supply		1-phase 208/230V~60Hz					
Sound Pressure Level(H/M/L)	dB(A)	38/34/30	38/34/30	44/41/38	44/41/38	44/41/38	
Heat Exchanger		Fenestrate plain film -- hydrophilic film					
Air Filter		PP+10%BCM+FP03					
Insulation Material		Foamed polystyrene					
Refrigeration Control Device		EXV					
Protection Device		Fuse					

(2) Outdoor unit

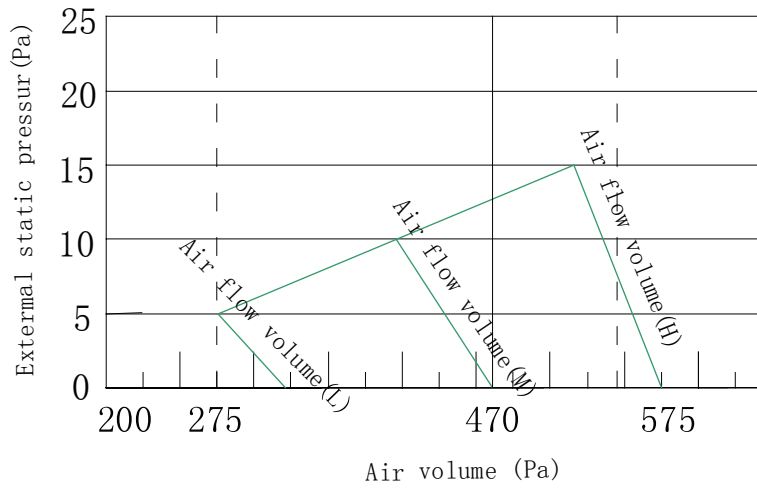
Model		GMV-24WL/ C-T(U)	GMV-28WL/ C-T(U)	GMV-36WL /A-T(U)	GMV-48WL /A-T(U)	GMV-60WL /A-T(U)	
Cooling capacity	kW	7	8.2	11	14.1	17.6	
	Btu/h	24000	28000	37500	48000	60000	
Heating capacity	kW	8.2	8.8	12.3	15.8	19.3	
	Btu/h	28000	30000	42000	54000	66000	
Circulating air volume	m ³ /h	3900	3900	6000	6300	7800	
	CFM	2295	2295	3532	3708	4601	
Noise	dB(A)	57	57	55	56	63	
Refrigerant charge volume	Kg	2.4	2.4	5	5	6.5	
	oz	84.7	84.7	176	176	229	
Power supply		208/230V ~ 60Hz					
Rated power input	Cooling	kW	2.0	2.7	3.3	4.5	6.1
	Heating	kW	2.4	2.6	3.7	4.4	5.5
Unit Dimensions (WxDxH)		mm	980×360×790		900×340×1345		940×320 ×1430
		inch	38_6/19×14_3/16×31_2/16		35_3/7×13_2/5×53		37×12_3/5×56_2/7
Dimensions (WxDxH)		mm	1097×477×937		998×458×1500		1033×433×1580
		inch	43_3/16×18_12/16×36_14/16		39_2/7×18_×59		40_2/3×17_×62_1/5
Compressor		QXFS-D25Zx090H		QXAS-F428zX050A		LNB53FCFMC	
Water-proof level		IPX4	IPX4	IPX4	IPX4	IPX4	
Suitable climate		T1	T1	T1	T1	T1	
Connection pipe	Gas	mm	Ø15.9	Ø15.9	Ø15.9	Ø15.9	Ø19.05
		inch	5/8	5/8	5/8	5/8	3/4
	Liquid	mm	Ø9.52	Ø9.52	Ø9.52	Ø9.52	Ø9.52
		inch	3/8	3/8	3/8	3/8	3/8
	Connection Method		Bell mouth connection	Bell mouth connection	Bell mouth connection	Bell mouth connection	Bell mouth connection
Net weight		Kg	80	80	110	110	124
		oz	2822	2822	3880	3880	4375

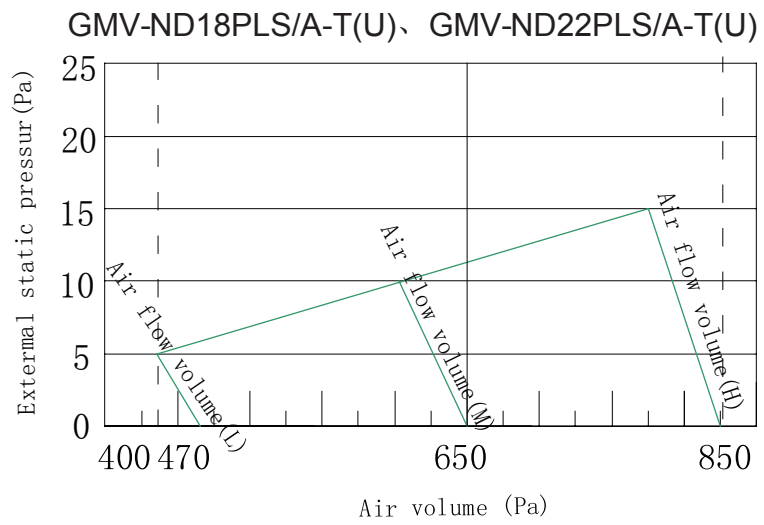
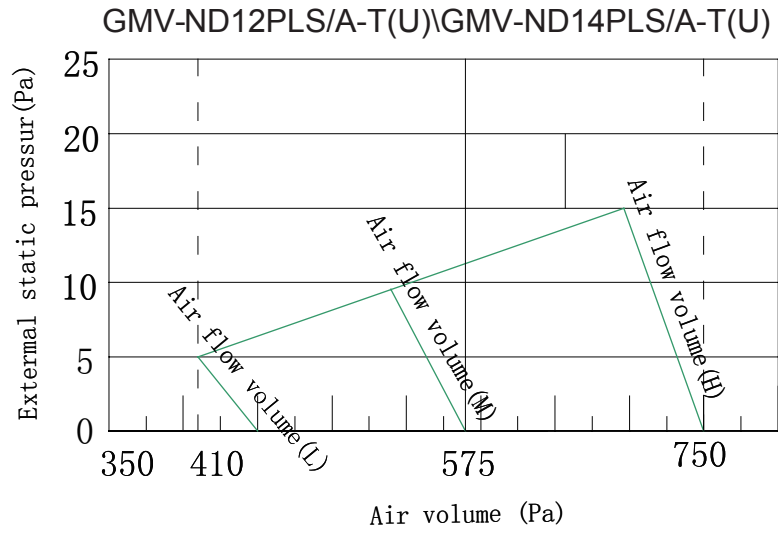
10 FAN CHARACTERISTICS

GMV-ND07PLS/A-T(U)



GMV-ND09PLS/A-T(U)



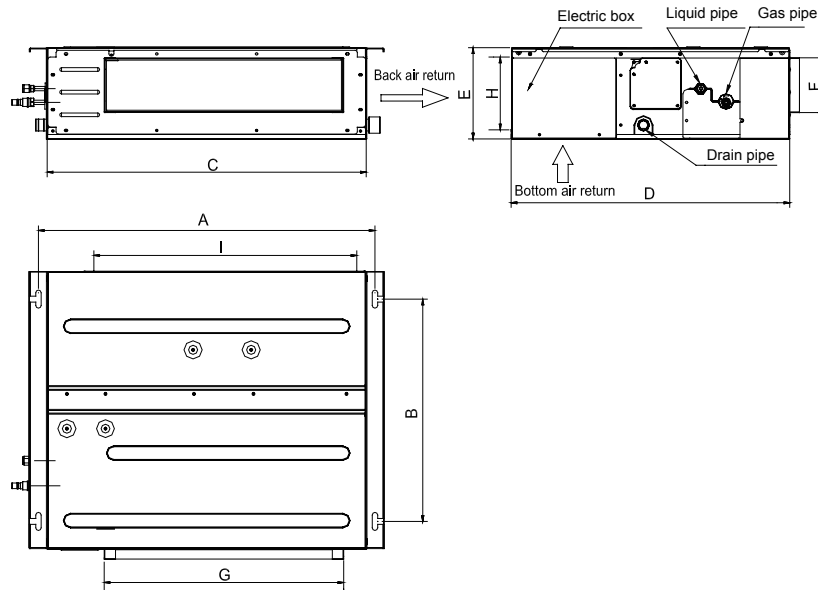


11 DIMENSIONAL DRAWINGS

(1) Indoor unit

- ◆ Duct Type (include the dimension of main unit, air return case and suspension hole)

Unit outline and installation dimension

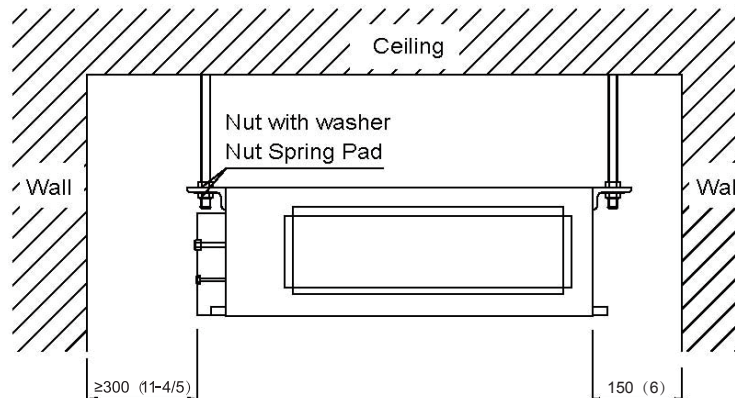


The following table lists the detailed dimensions.

Unit: mm(inch)

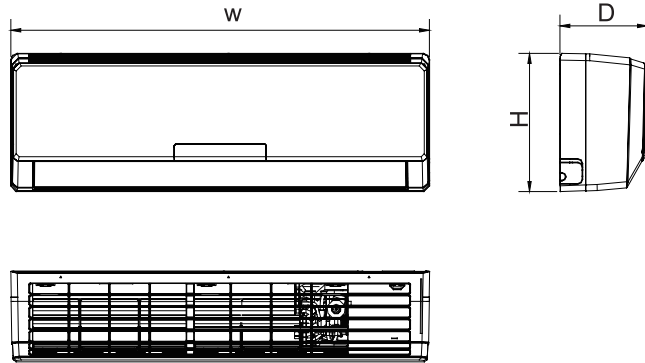
Model \ Item	A	B	C	D	E	F	G	H	I
GMV-ND07PLS/A-T(U) GMV-ND09PLS/A-T(U) GMV-ND12PLS/A-T(U)	742 (29-3/16)	491 (19-5/16)	700 (27-1/2)	615 (24-1/4)	200 (7-7/8)	121 (4-3/4)	528 (20-13/16)	161 (6-5/16)	580 (22-13/16)
GMV-ND14PLS/A-T(U)	942 (37-1/16)	491 (19-5/16)	900 (35-3/8)	615 (24-1/4)	200 (7-7/8)	121 (4-3/4)	728 (28-11/16)	161 (6-5/16)	780 (30-11/16)
GMV-ND18PLS/A-T(U) GMV-ND22PLS/A-T(U)	1142 (44-5/16)	491 (19-5/16)	1100 (43-1/4)	615 (24-1/4)	200 (7-7/8)	121 (4-3/4)	928 (36-9/16)	161 (6-5/16)	980 (38-9/16)

Installation space:



◆ Wall Mounted Type

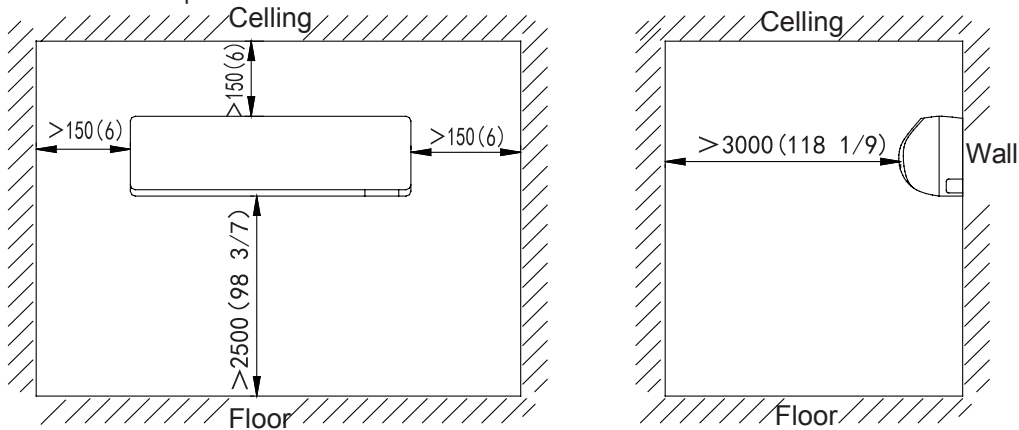
1) Unit outline and installation dimension



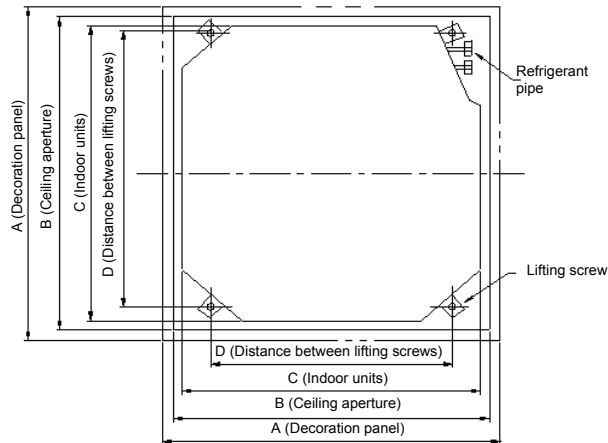
Unit:mm(inch)

Model	W	H	D
GMV-N07G/A3A-D(U)	843	275	180
GMV-N09G/A3A-D(U)	(33-1/5)	(10-5/6)	(7)
GMV-N12G/A3A-D(U)	940	298	200
GMV-N18G/A3A-D(U)	(37)	(11-3/4)	(7-7/8)
GMV-N24G/A3A-D(U)	1008	221	319
	(39-2/3)	(8-5/7)	(12-5/9)

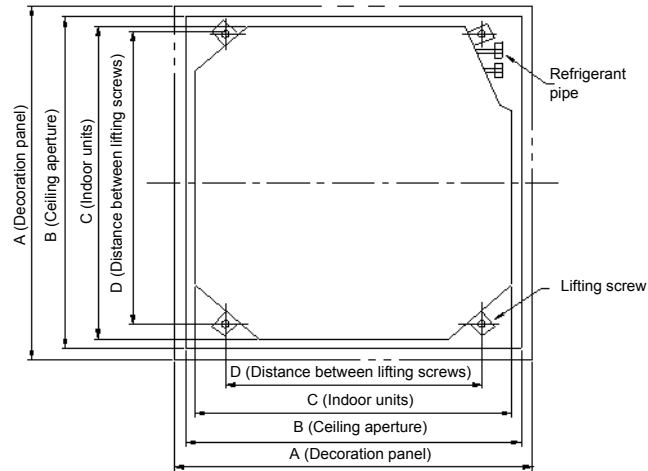
2) Unit installation space



◆ Four-way Cassette Indoor Unit



Dc Inverter Multi VRF System Technical Sales Guide

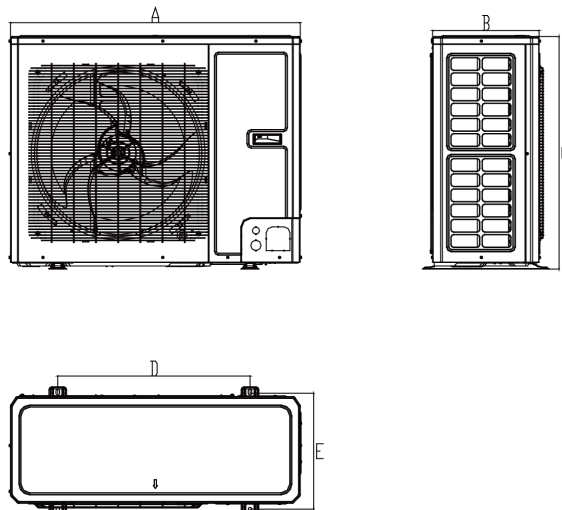


Unit: mm(inch)

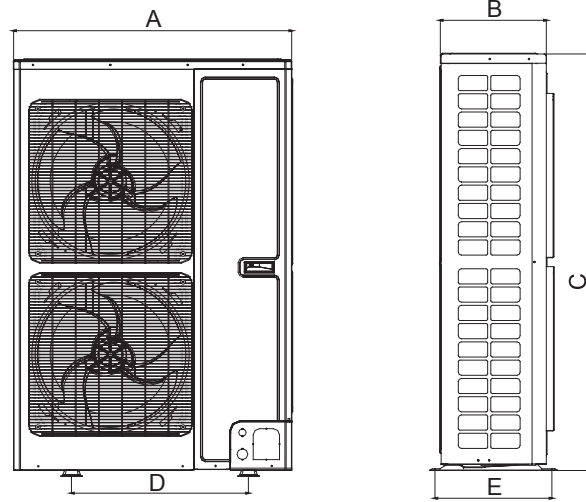
Model	A	B	C	D	E	G	H
GMV-ND07T/A-T(U)	950 (37-2/5)	890 (35)	840 (33)	680 (26-7/9)	780 (30-5/7)	65 (2-5/9)	210 (8-1/4)
GMV-ND09T/A-T(U)	950 (37-2/5)	890 (35)	840 (33)	680 (26-7/9)	780 (30-5/7)	65 (2-5/9)	260 (10-1/4)
GMV-ND12T/A-T(U)							
GMV-ND18T/A-T(U)							
GMV-ND24T/A-T(U)							
GMV-ND30T/A-T(U)	950 (37-2/5)	890 (35)	840 (33)	680 (26-7/9)	780 (30-5/7)	65 (2-5/9)	340 (13-2/5)
GMV-ND36T/A-T(U)							
GMV-ND42T/A-T(U)							
GMV-ND48T/A-T(U)							

(2) Outdoor unit

- ◆ Include the required dimension of installation space of main unit and single unit.



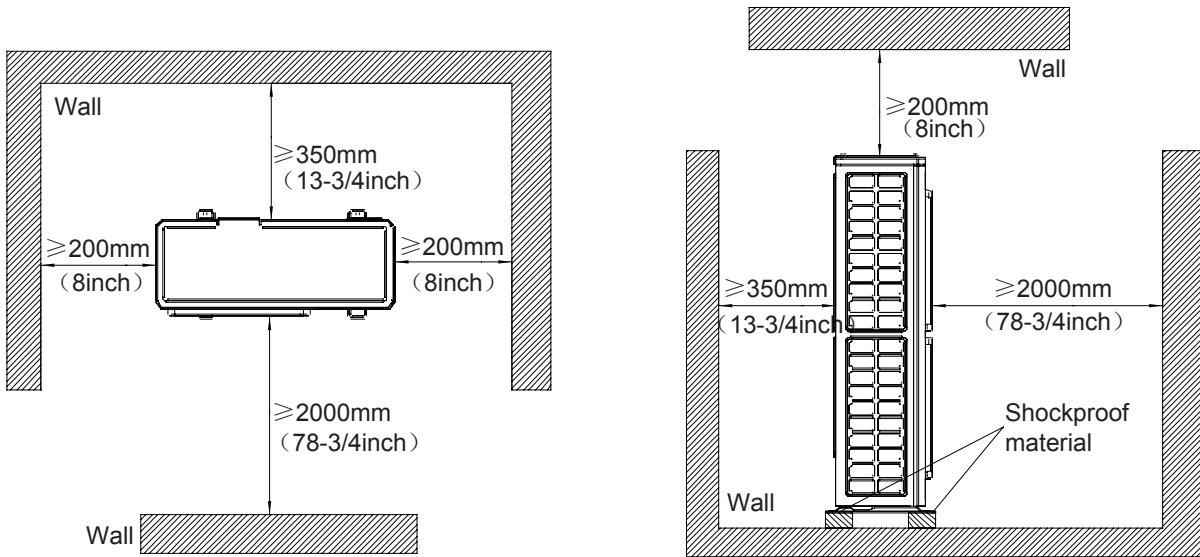
Model	A	B	C	D	E
GMV-24WL/C-T(U)	980(38_6/19)	360(14_3/16)	790(31_2/16)	650(25_3/5)	395(15_5/9)
GMV-28WL/C-T(U)					



Unit:mm(inch)

Model	A	B	C	D	E
GMV-36WL/A-T(U)	900	340	1345	572	378
GMV-48WL/A-T(U)	(35-3/8)	(13-3/8)	(53)	(22-1/2)	(15)
GMV-60WL/A-T(U)	940	320	1430	632	350
	(37)	(12 3/5)	(56 2/7)	(24 7/8)	(14 7/8)

◆ Installation dimension:

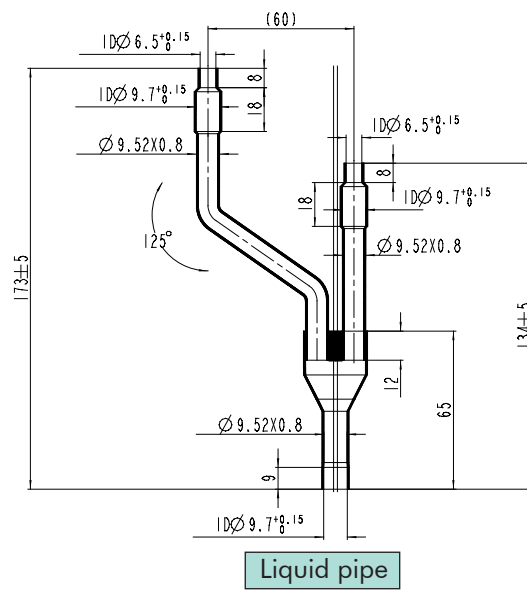
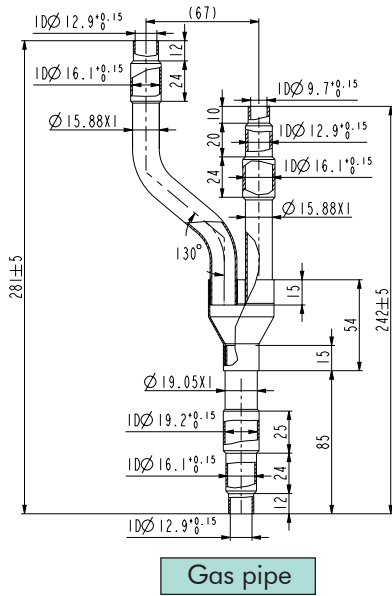


(3) ranching join

Length of each kind of Y-shape branching joint and the dimension of connection pipe port.

Y-shape branching joint: FQ01A/A

Dc Inverter Multi VRF System Technical Sales Guide



Gree Electric Appliances, Inc. of Zhuhai, founded in 1991, is the world's largest air conditioner enterprise integrating R&D, manufacturing, marketing and services.

Technology Innovation and quality are always our priority. With efforts of thousands of Gree's engineers, we own more than 3500 patents for our products.

Nowadays, we have 7 production bases in Zhuhai, Chongqing, Hefei and Zhengzhou(China), as well as Brazil, Pakistan and Vietnam, with annual production capacity of 30 million sets of residential air conditioners and 4 million sets of commercial air conditioners.

With the installation of Gree commercial air conditioners in important projects at home and abroad like Media Village for 2008 Beijing Olympic Games, Stadiums for 2010 World Cup in South Africa, as well as India Telecom base station, Gree commercial air conditioners are ready to develop steadily to every corner in the world, to present a more comfortable and harmonious working environment and family atmosphere.



Add: West Jinji Rd, Qianshan Zhuhai, Guangdong, China 519070

Tel: (+86-756)8614883 Fax: (+86-756)8614998

Http://www.gree.com Email: gree@gree.com.cn

For continuous improvement in the products, Gree reserves the right to modify the product specification and appearance in this manual without notice and without incurring and obligations.

■ SJ00422346