

208~230V Floor Ceiling

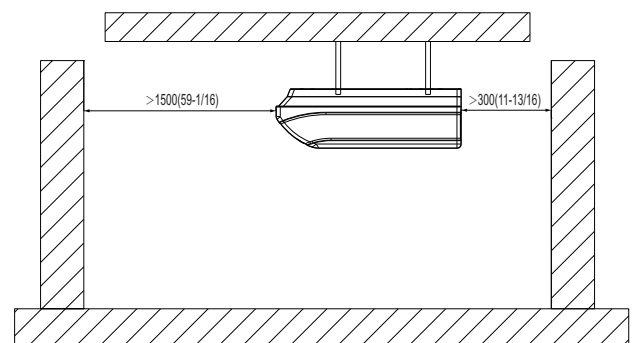
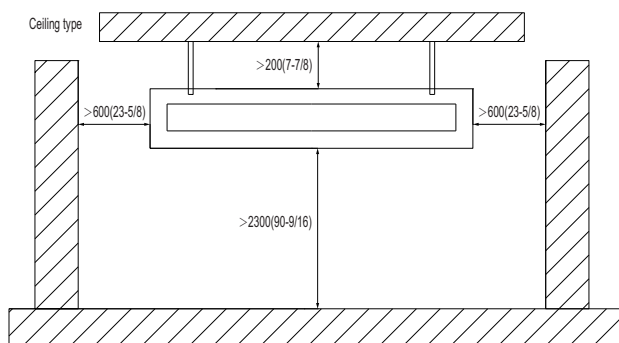
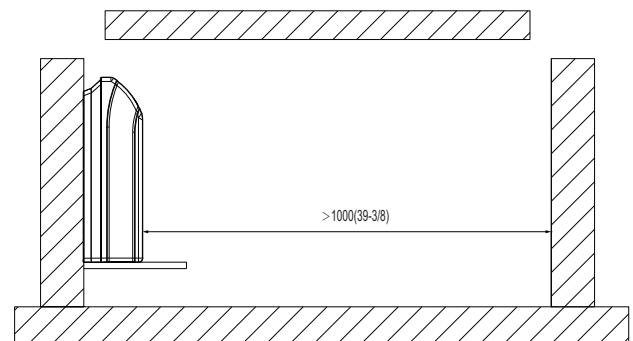
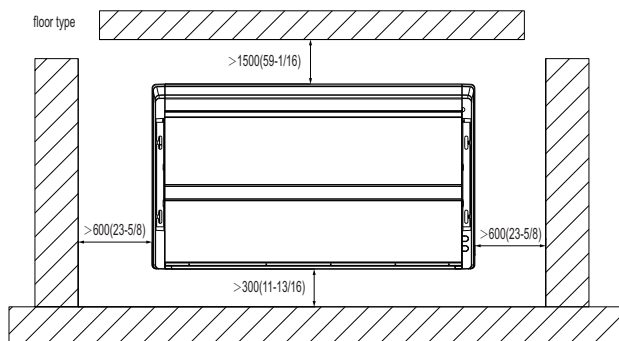
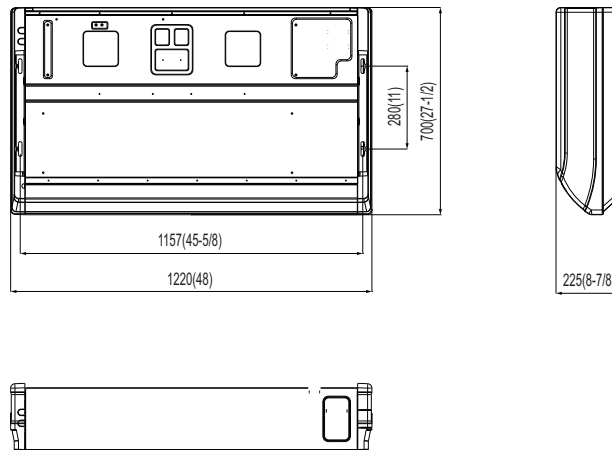
Model:GMV-ND48ZD/A-T(U)



Specifications	Unit	Parameter
Model	—	GMV-ND48ZD/A-T(U)
Performance		
Rated Cooling Capacity	kBtu/h	48
Rated Heating Capacity	kBtu/h	54
Sound Pressure Level	dB(A)	45/49/52
Electrical Data		
Power Supply	Voltage,Phase, Hertz	208/230,1,60
Maximum Overcurrent Protection (MOP)	A	15
Minimum Circuit Amps (MCA)	A	1
Fan		
Type x Quantity	—	Centrifugal×4
Air Flow Volume	CFM	855/1065/1180
Fan Motor Running Current	A	0.7
Fan Motor Power Output	W	250
Refrigerant Piping		
Connection Pipe	Gas(mm/inch)	Φ15.9/Φ5/8
	Liquid(mm/inch)	Φ9.52/Φ3/8
Connection method	—	Flare Connection
Refrigerant	—	R410A
Dimension/Weight		
Dimensions (H×W×D)	mm/inch	245×1700×700/ (9-5/8×66-15/16×27-9/16)
Net Weight	kg/lbs	60/132
Other		
Safety Certification	—	ETL

Job Name:		Date:	
System Reference No.:			
Engineer Signature:			

Outline and Physical Dimensions of GMV-ND48ZD/A-T(U).



Unit:mm(in.)

