

## SUBMITTAL DATA

GMV-ND12C/A-T(U) for use with VRF Outdoor Unit  
12000 BTU/H Console Unit

Job Name	Location	Date
Purchaser	Engineer	
Submitted to	For	
Unit Designation	Schedule No.	

 <p>YAP1F</p>	 <p>GMV-ND12C/A-T(U)</p>	 <p>XK46 (Optional)</p>
--	---	--

### GENERAL FEATURES

- Multiple Fan Speed
- Multiple Protections (Anti-freezing, Temperature Sensor Malfunction, Fan Motor Overload Protection)
- Detachable Grille and Long Life Filter
- Wireless Remote with LCD Display
- Wired Controller Options
- Performance Based On Outdoor Unit
- Coil (Indoor and Outdoor) Copper Tube / Aluminum Fin
- Blue Colored Fin - 500 Hrs Salt Spray Tested

## SPECIFICATIONS, FEATURES & FUNCTION SUMMARY

SPECIFICATIONS		GMV-ND12C/A-T(U)		FEATURES & FUNCTIONS SUMMARY		GMV-ND12C/A-T(U)		
System Type		HEAT PUMP						
<b>SYSTEM PERFORMANCE</b>				<b>SYSTEM FEATURES</b>				
Cooling	Nominal	Btu/h	12000	Wired Controller Interface	Yes			
	Capacity @95°F	Btu/h		WiFi Included	No			
Heating	Nominal	Btu/h	13500	Easy Service Access	Yes			
	Capacity @5°F	Btu/h		Indoor Fan Type	Centrifugal			
	Capacity @17°F	Btu/h		Multi Fan Speeds	3 Speeds			
	Capacity @47°F	W		Indoor Unit Display	Yes			
SEER2				Auxiliary Electrical Heater	No			
EER2				Ventilation (Outdoor Air)	No			
HSPF2				<b>REMOTE CONTROLLER FUNCTIONS</b>				
COP @5°F	System Performance Based on the Connected Outdoor Unit Performance			Auto Mode	Yes			
COP @47°F				Auto Fan	Yes			
Cooling Temperature Range				°F	Auto Swing (Horizontal Auto Swing)	Yes		
Heating Temperature Range				°F	Auto Swing - 180° (Vertical Auto Swing)	Yes		
Refrigerant Type				R410A		Clock	Yes	
<b>INDOOR UNIT</b>		<b>GMV-ND12C/A-T(U)</b>		Dry Mode	Yes			
Air flow (Min-Max)	CFM	182 - 282		Dry Anti-Mildew (X-Fan) Mode	Yes			
Sound Pressure Level (Min - Max)	dB(A)	32 - 40		Energy Saving Mode	Yes			
Condensate Drain Size (OD)	in	1		Dirty Filter Alert	No			
External Dimensions (WxHxD)	in	27-1/2 x 23-5/8 x 8-1/2		Fan Speed Control (7 Speeds)	Yes			
Package Dimension (W x H x D)	in	31 x 30-5/8 x 11-1/8		I Feel Function	Yes			
Net Weight	lbs	35		Privacy Lock	Yes			
Gross Weight	lbs	42		Quiet Mode	Yes			
<b>REFRIGERANT PIPING</b>				Room Temperature Display	No			
Line Set Sized by the Indoor Unit (Liquid - Gas)	in	1/4 - 1/2		Sleep Mode	Yes			
<b>ELECTRICAL</b>				3 Sleep Mode Options	Yes			
Power Supply	208-230V / 1Ph / 60Hz (Powered by the Outdoor Unit)			Timer Mode	Yes			
MCA	A	1		Turbo Mode	Yes			
MOCP	A	15		Display On/Off Control	Yes			
				Freeze Guard Mode	Yes			
				Power Failure Mode	Yes			

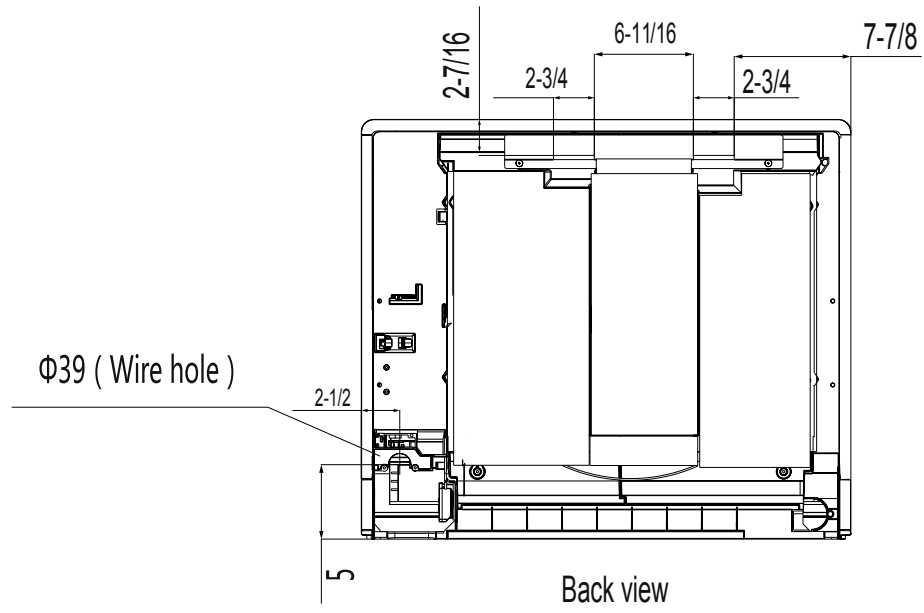
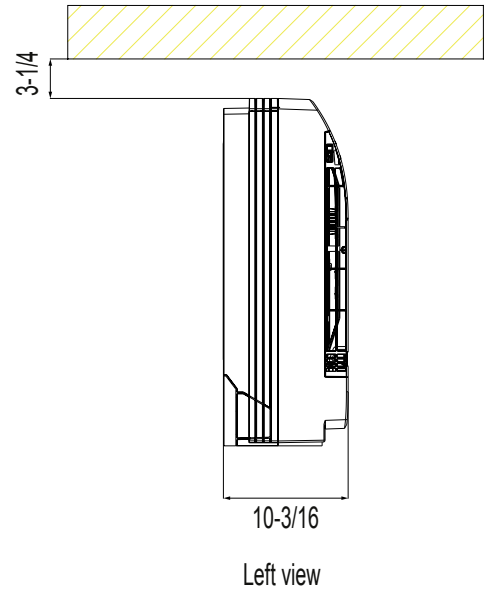
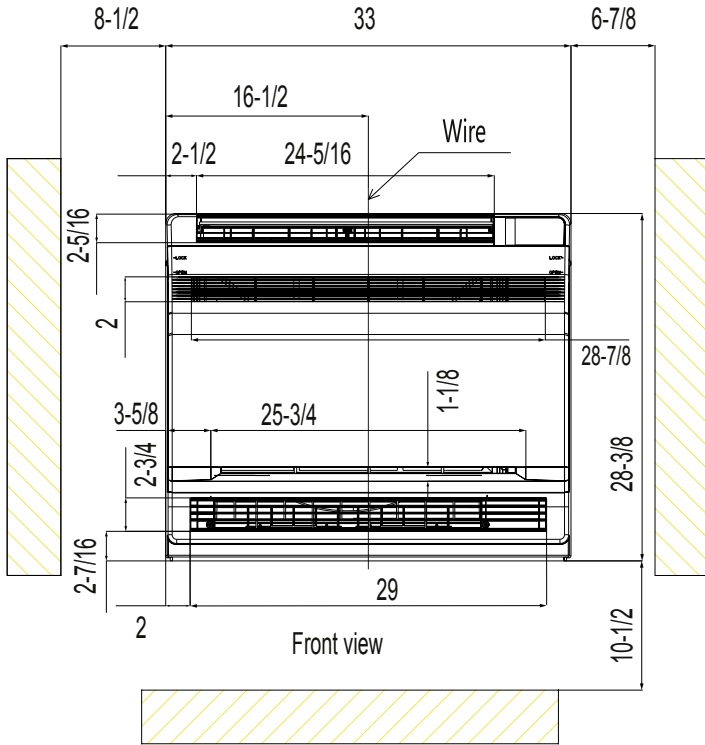
# DIMENSIONS & CLEARANCES

## INDOOR UNIT

Unit: inch

GMV-ND12C/A-T(U)

DIMENSIONS & CLEARANCES



Specifications are subject to change without notice. Manufacturer reserves the right to discontinue or modify specifications or designs without notice or without incurring obligations. All Rights reserved.

[GREECOMMERCIAL.COM/SYSTEM-DOCUMENTATION](http://GREECOMMERCIAL.COM/SYSTEM-DOCUMENTATION)