

## SUBMITTAL DATA

GMV-ND42T/C-T(U) for use with VRF Outdoor Unit  
42000 BTU/H One Way Cassette Unit

Job Name	Location	Date
Purchaser	Engineer	
Submitted to	For	
Unit Designation	Schedule No.	

		
YAP1F	GMV-ND42T/C-T(U)	XK46 (Optional)

### GENERAL FEATURES

- 360° Air Supply
- Independent Swing Control
- Ultra-low noise operation
- DC Quiet Drainage Pump
- Wireless Remote with LCD Display
- Wired Controller Options
- Based on Outdoor Unit Performance
- Coil (Indoor and Outdoor) Copper Tube / Aluminum Fin
- Blue Colored Fin - 500 Hrs Salt Spray Tested

## SPECIFICATIONS, FEATURES & FUNCTION SUMMARY

SPECIFICATIONS	GMV-ND42T/C-T(U)		FEATURES & FUNCTIONS SUMMARY	GMV-ND42T/C-T(U)
System Type	HEAT PUMP			
<b>SYSTEM PERFORMANCE</b>				
Cooling	Nominal	Btu/h	42000	
	Capacity @95°F	Btu/h		
	Nominal	Btu/h	47000	
Heating	Capacity @5°F	Btu/h		
	Capacity @17°F	Btu/h		
	Capacity @47°F	W		
SEER2				
EER2				
HSPF2				
COP @5°F				
COP @47°F				
Cooling Temperature Range	°F			
Heating Temperature Range	°F			
Refrigerant Type	R410A			
<b>INDOOR UNIT GMV-ND42T/C-T(U)</b>				
Air flow (Min-Max)	CFM	647 - 971		
Sound Pressure Level (Min - Max)	dB(A)	39 - 43		
Condensate Drain Size (OD)	in	1		
Dehumidification	pt/hr			
External Dimensions (WxHxD)	in	33-1/8 x 11-3/8 x 33-1/8		
Package Dimension (W x H x D)	in	37-7/8 x 14-7/8 x 37-7/8		
Net Weight	lbs	73		
Gross Weight	lbs	137		
<b>CASSETTE GRILLE (REQUIRED) TF06</b>				
Grille Dimension (W x H x D)	in	37-3/8 x 2-1/2 x 37-3/8		
Package Dimension (W x H x D)	in	40-7/8 x 4-3/8 x 40-5/8		
Weight (Net / Gross)	lbs	13 / 21		
<b>REFRIGERANT PIPING</b>				
Line Set Sized by the Indoor Unit (Liquid - Gas)	in	3/8 - 5/8		
<b>ELECTRICAL</b>				
Power Supply	208-230V / 1Ph / 60Hz (Powered by the Outdoor Unit)			
MCA	A	2.0		
MOCP	A	15		
<b>SYSTEM FEATURES</b>				
Wired Controller Interface			Yes	
WiFi Included			No	
NEW! Easy Service Access			Yes	
Indoor Fan Type			Centrifugal	
Multi Fan Speeds			4 Speeds	
Indoor Unit Display			No	
Auxiliary Electrical Heater			No	
Ventilation (Outdoor Air)			No	
<b>REMOTE CONTROLLER FUNCTIONS</b>				
Auto Mode			Yes	
Auto Fan			Yes	
Auto Swing (Horizontal Auto Swing)			No	
Auto Swing - 180° (Vertical Auto Swing)			Yes	
Clock			Yes	
Dry Mode			Yes	
Dry Anti-Mildew (X-Fan) Mode			Yes	
Energy Saving Mode			Yes	
Dirty Filter Alert			No	
Fan Speed Control (7 Speeds)			Yes	
I Feel Function			Yes	
Privacy Lock			Yes	
Quiet Mode			Yes	
Room Temperature Display			No	
Sleep Mode			Yes	
3 Sleep Mode Options			Yes	
Timer Mode			Yes	
Turbo Mode			Yes	
Display On/Off Control			Yes	
Freeze Guard Mode			Yes	
Power Failure Mode			Yes	

System Performance Based on the Connected Outdoor Unit Performance

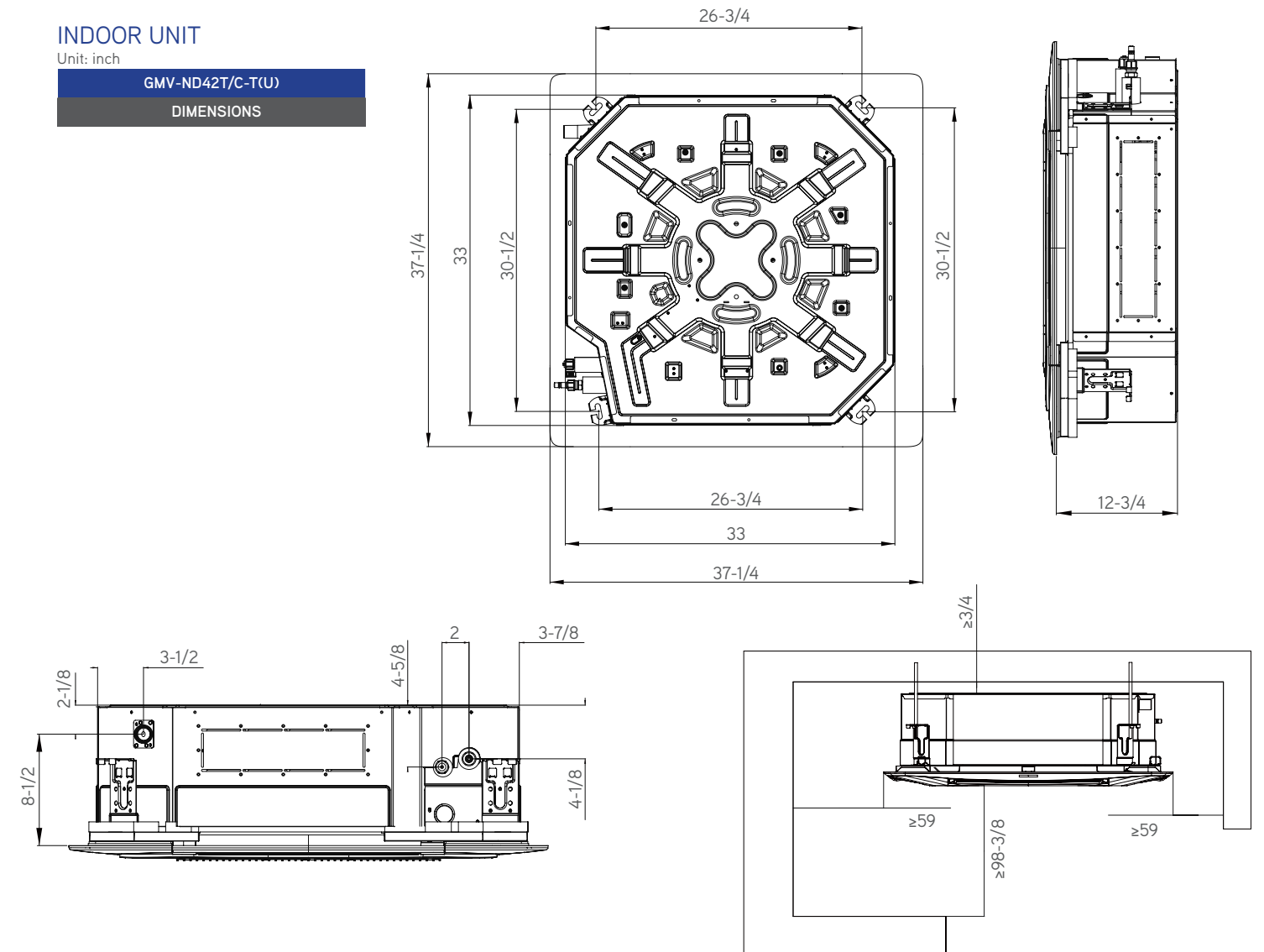
## DIMENSIONS & CLEARANCES

### INDOOR UNIT

Unit: inch

#### GMV-ND42T/C-T(U)

#### DIMENSIONS



### INDOOR UNIT

#### Minimum clearance

