



Owner's Manual

Original Instructions

Commercial Air Conditioners

360° Cassette Type Fresh Air Kit

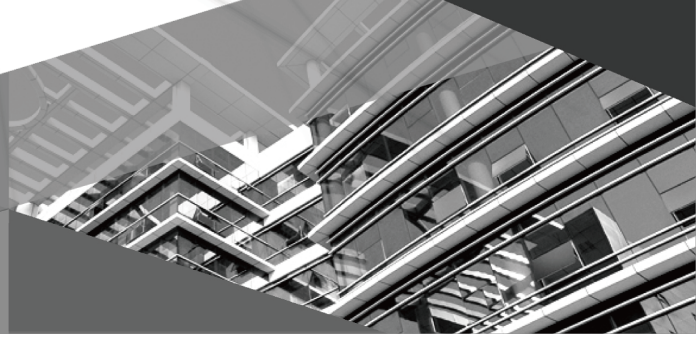
Model:

XF150A-T

Thank you for choosing commercial air conditioners. Please read this Owner's Manual carefully before operation and retain it for future reference.

If you have lost the Owner's Manual, please contact the local agent or visit www.gree.com or send an email to global@gree.com.cn for the electronic version.

GREE ELECTRIC APPLIANCES, INC. OF ZHUHAI



Preface

For correct installation and operation, please read all instructions carefully. Before reading the instructions, please be aware of the following items:

▲ DANGER	This is the safety alert symbol. It is used to alert you to potential personal injury hazards. Obey all safety messages that follow this symbol to avoid possible injury or death.
▲ WARNING	This mark indicates procedures which, if improperly performed, might lead to the death or serious injury of the user.
▲ CAUTION	This mark indicates procedures which, if improperly performed, might possibly result in personal harm to the user, or damage to property.
NOTICE	NOTICE is used to address practices not related to personal injury.

▲ WARNING

- (1) Instructions for installation and use of this product are provided by the manufacturer.
- (2) Installation must be performed in accordance with the requirements of NEC and CEC by authorized personnel only.
- (3) For the safe operation of this unit, please read and follow the instructions carefully.
- (4) During operation, total capacity of indoor units should not exceed the total capacity of outdoor units. Otherwise, poor effect of cooling or heating may result.
- (5) Direct operators or maintainers should well keep this manual.
- (6) If this unit fails to operate normally, please contact our service center as soon as possible and provide the following information:
 - 1) Content on the nameplate (model number, cooling capacity, production code, ex-factory date.
 - 2) Malfunction details (before and after the malfunction occurs.
- (7) Each unit has been strictly tested and proved to be qualified before ex-factory. In order to prevent units from being damaged or operating normally because of improper disassembly, please do not disassemble the unit by yourself. If you need to disassemble and check units, please contact our service center. We will send specialists to guide the disassembly.
- (8) Installation must be performed in accordance with the requirements of NEC and CEC by authorized personnel only.

This appliance can be used by children aged from 8 years and above and persons with reduced physical, sensory or mental capabilities or lack of experience and knowledge if they have been given supervision or instruction concerning use of the appliance in a safe way and understand the hazards involved. Children shall not play with the appliance. Cleaning and user maintenance shall not be made by children without supervision.



DISPOSAL: Do not dispose this product as unsorted municipal waste. Collection of such waste separately for special treatment is necessary.

Contents

1 Safety Precautions	1
2 Product Parameters	2
2.1 Product List	2
2.2 Appearance and Size of the Main Body	2
2.3 Appearance and Size of the Fresh Air Opening	2
2.4 Parameters of the Air Processing Unit	3
3 Installation Instructions	3
3.1 Instructions on the Installation Order	3
3.2 Instructions on the Installation Dimensions	5
4 Installation Notes	6

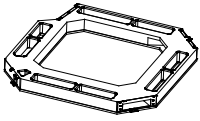
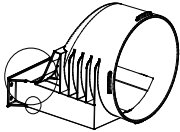

1 Safety Precautions

⚠ WARNING
(1) Follow this instruction to complete the installation work. Please carefully read this manual before unit startup and service.
(2) Wire size of power cord should be large enough. The damaged power cord and connection wire should be replaced by exclusive cable.
(3) After connecting the power cord, please fix the electric box cover properly in order to avoid accident.
(4) Never fail to comply with the nitrogen charge requirements. Charge nitrogen when welding pipes.
(5) Never short-circuit or cancel the pressure switch to prevent unit damage.
(6) Please firstly connect the wired controller before energization, otherwise wired controller can not be used.
(7) Before using the unit, please check if the piping and wiring are correct to avoid water leakage, refrigerant leakage, electric shock, or fire etc..
(8) Do not insert fingers or objects into air outlet/inlet grille.
(9) Open the door and window and keep good ventilation in the room to avoid oxygen deficit when the gas/oil supplied heating equipment is used.
(10) Never start up or shut off the air conditioner by means of directly plug or unplug the power cord.
(11) Turn off the unit after it runs at least five minutes; otherwise it will influence oil return of the compressor.
(12) Do not allow children operate this unit.
(13) Do not operate this unit with wet hands.
(14) Turn off the unit or cut off the power supply before cleaning the unit, otherwise electric shock or injury may happen.
(15) Never spray or flush water towards unit, otherwise malfunction or electric shock may happen.
(16) Do not expose the unit to the moist or corrosive circumstances.
(17) Under cooling mode, please don't set the room temperature too low and keep the temperature difference between indoor and outdoor unit within 5°C (41°F).
(18) User is not allowed to repair the unit. Fault service may cause electric shock or fire accidents. Please contact Gree appointed service center for help.
(19) Before installation, please check if the power supply is in accordance with the requirements specified on the nameplate. And also take care of the power safety.
(20) Installation should be conducted by dealer or qualified personnel. Please do not attempt to install the unit by yourself. Improper handling may result in water leakage, electric shock or fire disaster etc..
(21) The control box should be installed inside
(22) Be sure to use the exclusive accessory and part to prevent the water leakage, electric shock and fire accidents.
(23) Make sure the unit can be earthed properly and soundly after plugging into the socket so as to avoid electric shock. Please do not connect the ground wire to gas pipe, water pipe, lightning rod or telephone line.
(24) Electrify the unit 8 hours before operation. Please switch on for 8 hours before operation. Do not cut off the power when 24 hours short-time halting (to protect the compressor).
(25) If refrigerant leakage happens during installation, please ventilate immediately. Poisonous gas will emerge if the refrigerant gas meets fire.
(26) Volatile liquid, such as diluent or gas will damage the unit appearance. Only use soft cloth with a little neutral detergent to clean the outer casing of unit.
(27) If anything abnormal happens (such as burning smell), please power off the unit and cut off the main power supply, and then immediately contact Gree appointed service center .If abnormality keeps going, the unit might be damaged and lead to electric shock or fire.

Any personal injury or property loss caused by improper installation, improper debug, unnecessary repair or not following the instructions of this manual should not be the responsibility of Gree Electric Appliances, Inc. of Zhuhai.

2 Product Parameters

2.1 Product List

Name	Main body	Fresh air opening	Screw
Appearance			
Quantity	1	2	8

2.2 Appearance and Size of the Main Body

Name	Size specification (unit: mm)		
	A	B	C
XF150A-T	834	834	60

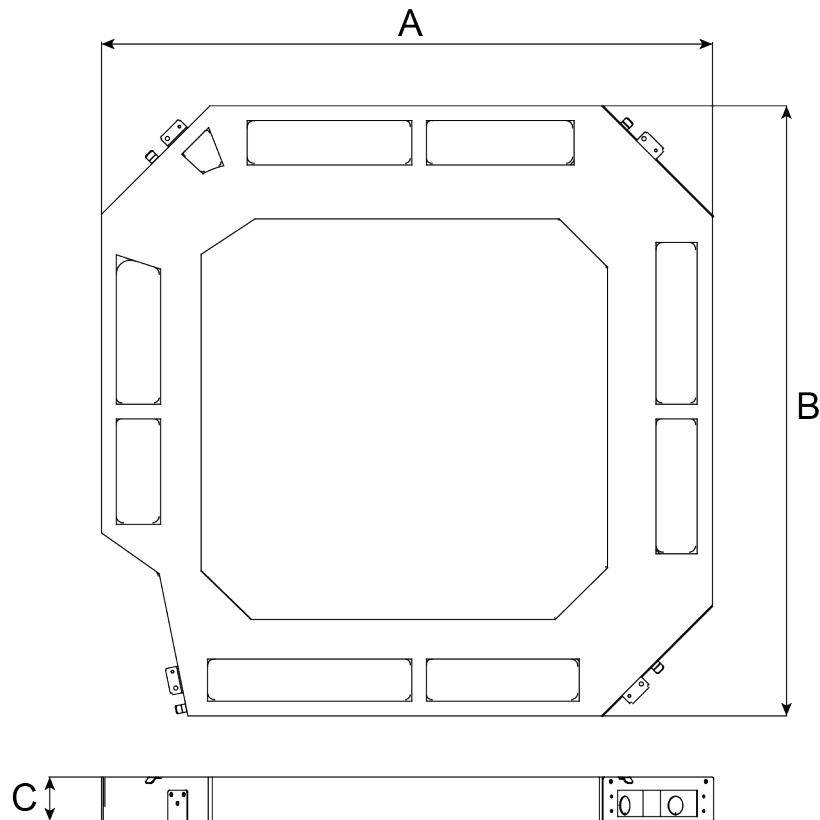


Fig.2.2.1

2.3 Appearance and Size of the Fresh Air Opening

Name	Size specification (unit: mm)				
	A	B	C	D	E
XF150A-T	183	190	160	150	38

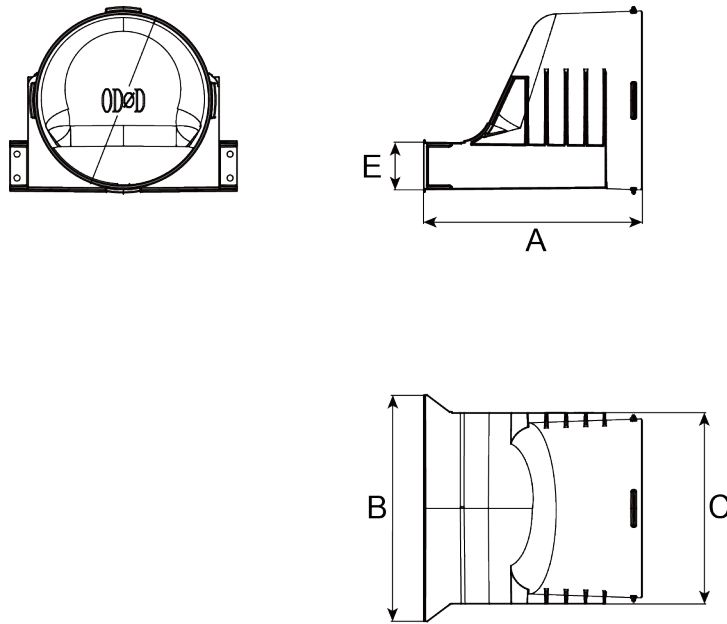


Fig.2.3.1

2.4 Parameters of the Air Processing Unit

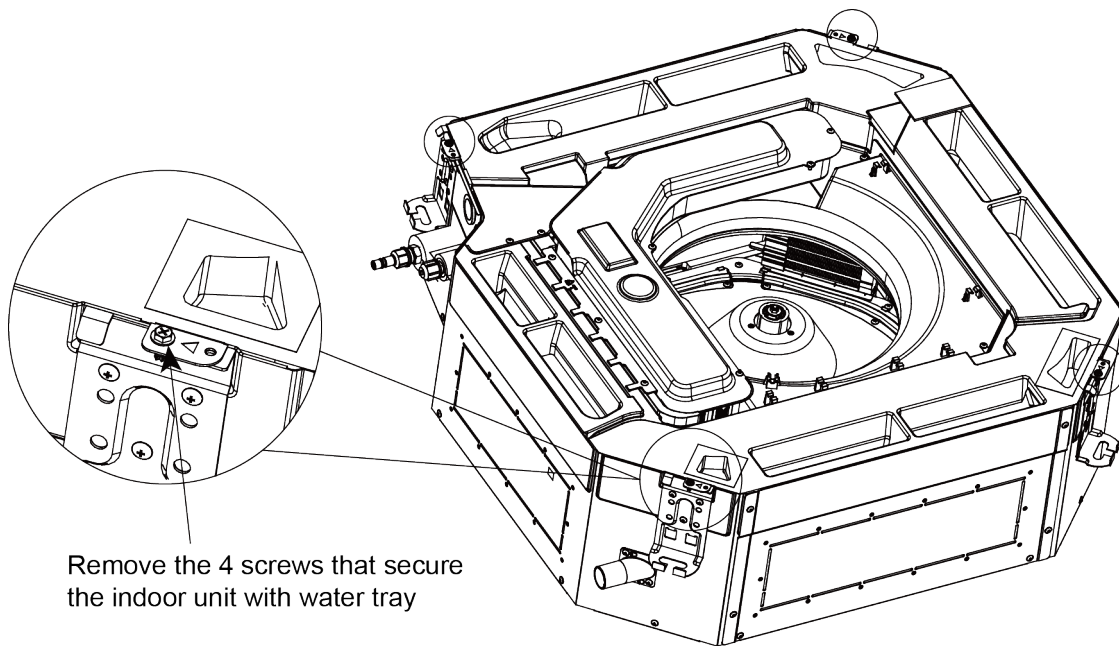
In normal installation, it's better to keep the proportion of fresh air introduction within 10%.

Standard model	XF150A-T
The way of fresh air introduction	Introduced by the fan of indoor unit
Diameter of fresh air connecting pipe	Φ150mm
Weight of air processing unit	4kg

3 Installation Instructions

3.1 Instructions on the Installation Order

1. First, remove the 4 screws that secure the indoor unit with water tray.



Remove the 4 screws that secure the indoor unit with water tray

Fig.3.1.1

2. Secure the main body with indoor unit by using the screws that are just unscrewed.

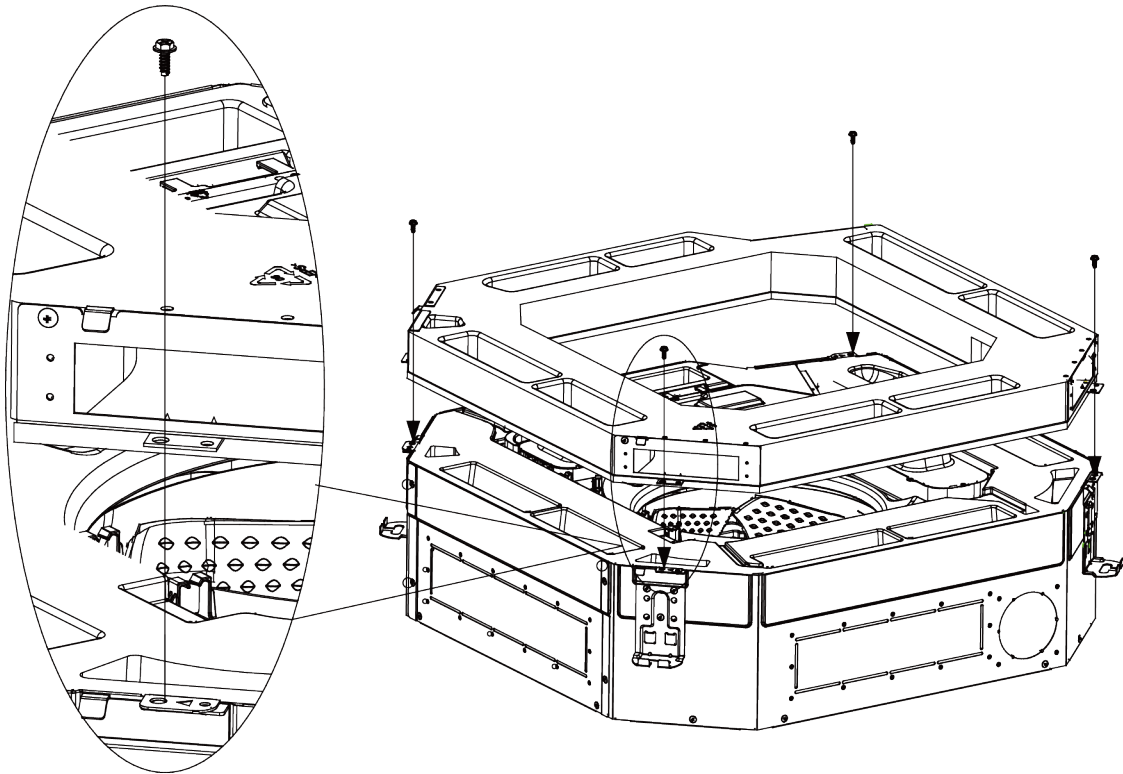


Fig.3.1.2 Install the main body

3. Install the front panel and fresh air opening.

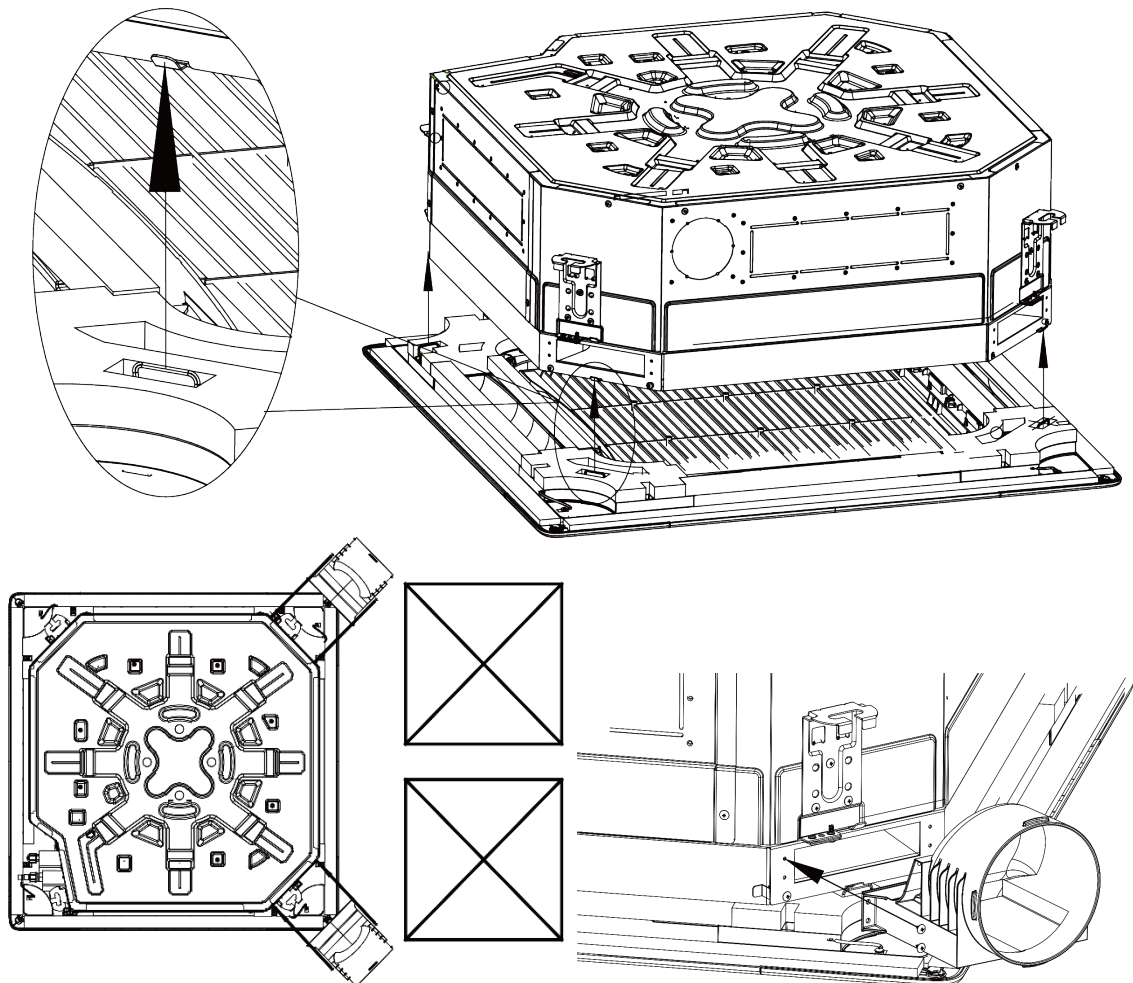


Fig.3.1.3 Install the front panel and fresh air opening

3.2 Instructions on the Installation Dimensions

In engineering installation, reserve the access hole for fresh air opening and fresh air duct (engineering hose and engineering Y-connecting assembly are engineering fittings). Fig.shows the dimensions for your reference:

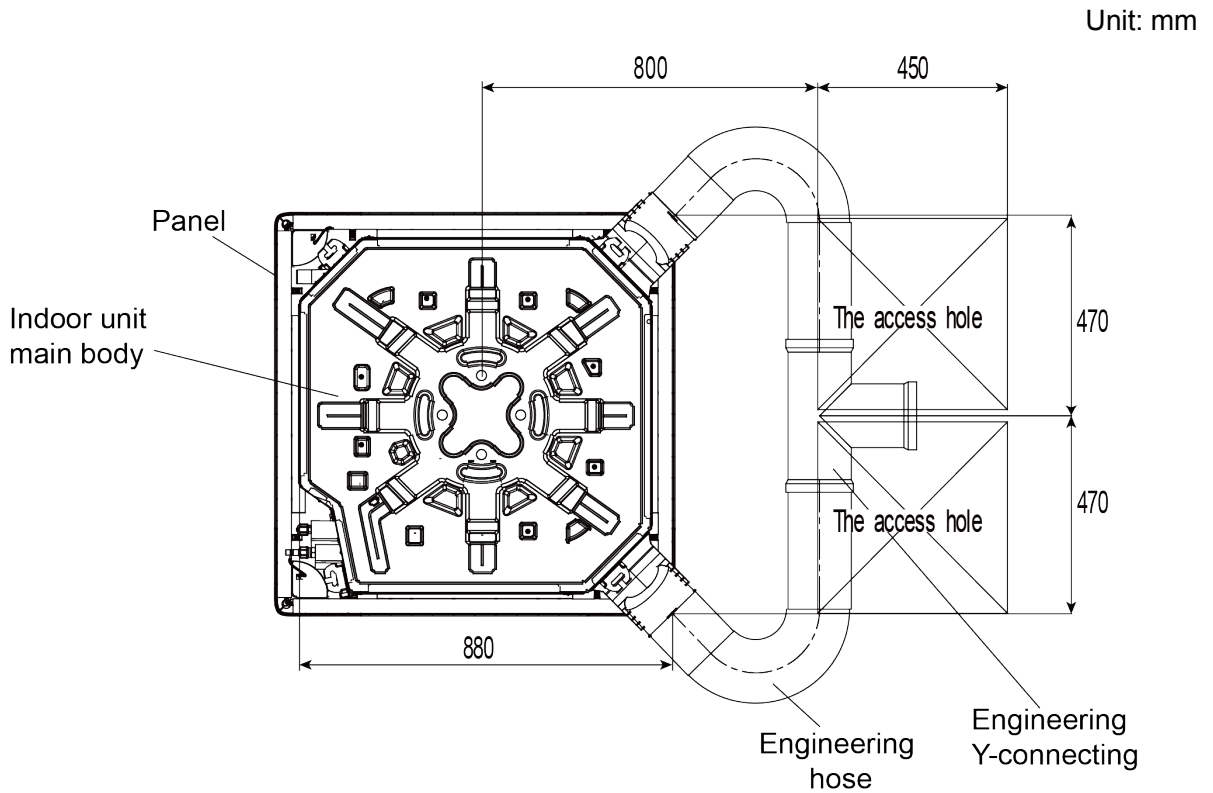


Fig.3.2.1

In engineering installation, install the front panel first. Install the fresh air opening from the access hole. Please refer to Fig. for the dimensions:

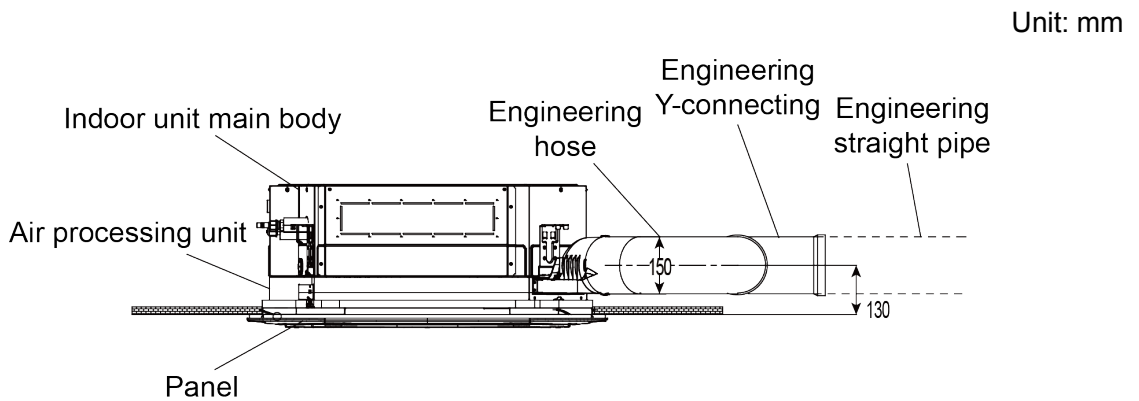


Fig.3.2.2

4 Installation Notes

1. In engineering installation, it is recommended that the air duct which is connected after the Y-connecting assembly is within 4 meters. Meanwhile, avoid large-angle bending during installation in case of larger air resistance; after installation, check the connection whether it is secure or not to prevent air leak.
2. When installing the air processing unit, access hole must be reserved. Reserve one more access hole on the other side.
3. It is recommended to keep the air duct slanting toward the outside (gradient 1/100—1/50) to prevent rainwater or condensate from flowing in, as shown below:

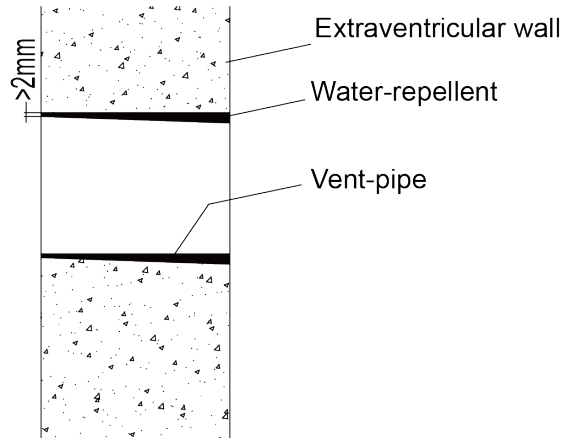


Fig.4.1.1

4. If insect-proof screen and filter are added during the installation, please install them in a place that allows for easy removal and cleaning.
5. When installing straight pipes, avoid the situations shown below. Otherwise, fresh air introduction will be affected.

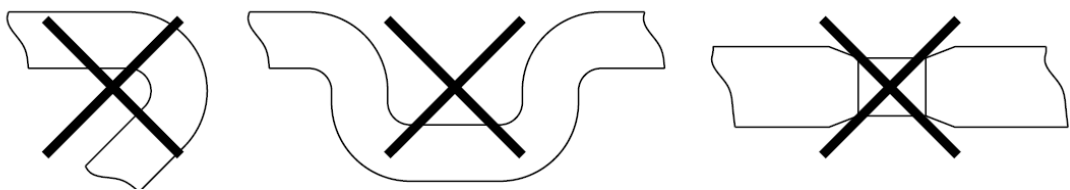
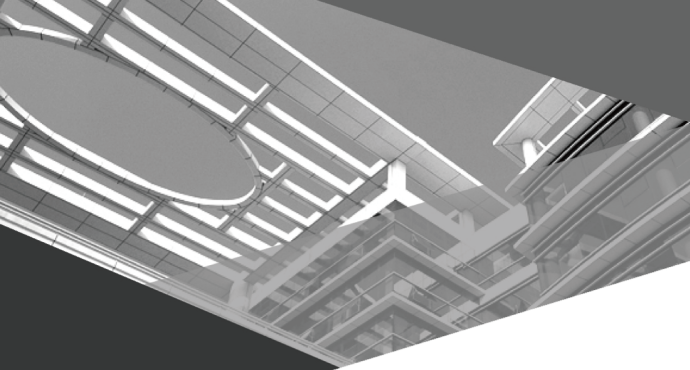


Fig.4.1.2



GREE ELECTRIC APPLIANCES, INC. OF ZHUHAI

Add: West Jinji Rd, Qianshan, Zhuhai, Guangdong, China, 519070

Tel: (+86-756) 8522218

Fax: (+86-756) 8669426

E-mail: gree@gree.com.cn www.gree.com



600037060010