



**Submittal Data: MULTI18HP230V1CO** 18,000 BTU/H Wall Mounted Heat- Pump System

Job Name Location Date

Purchaser Engineer

Submitted To For  Reference  Approval  Construction

Unit Designation Schedule No.

- GENERAL FEATURES**
- Dual Indoor Units (2-Port)
  - EnergyStar Rated
  - G10 DC Inverter Technology
  - Quiet Operation - Both Indoor & Outdoor
  - Acrylic Resin/Anti-Corrosion Coil Protection
  - Intelligent Defrost
  - Auto Restart on Power Outages
  - Mulit-point Diagnostics
  - Limited 5 yr Parts Warranty



AHRI Certified Ref No: 9958975 (non-ducted) & 9956591 (ducted)

**System Ratings**

Non-Ducted Indoor		
Rated Cooling Capacity		18,000 BTUH
Cooling Capacity (min-max)		7,000-21,000 BTUH
Rated Heating Capacity		19,000 BTUH
Heating Capacity (min-max)		8,530-22,600 BTUH
SEER/EER		22.0/12.5
HSPF/COP		11.0/3.7
Ducted Indoor		
Rated Cooling Capacity		18,000 BUTH
Cooling Capacity (min-max)		7,000-21,000 BUTH
Rated Heating Capacity		19,000 BTUH
Heating Capacity (min-max)		8,530-22,600 BTUH
SEER/EER		16.0/11.5
HSPF/COP		8.5/3.1

**Operating Range**

Cooling	(min-max)	0 ~ 118°F
		-18 ~ 48°C
Heating	(min-max)	-5 ~ 75°F
		-21 ~ 24°C

**Power Supply**

Normal Operational Voltage	208/230 V, 1 Phase, 60 Hz
Voltage Range	187 - 253 V
Main Power Wire Size	12-2 AWG
Interconnecting Cable Wire Size	14-4 AWG
MCA	16.0 A
MOCP/Breaker Size	25 A

**Outdoor Unit Data**

<b>Compressor</b>	Type	DC Inverter Driven Rotary
	RLA	10.8
<b>Compressor Crankcase and Base Pan Heaters included</b>		
<b>Fan Motor</b>	Output Power	60 W
	FLA	0.6 A
	Air Flow (Max)	1883 CFM
<b>Sound Pressure Level</b>		
	Cooling	56 dB(A)
	Heating	56 dB(A)
<b>Dimensions &amp; Weights</b>		
	Unit Dimensions (LxHxD)	38.0 x 27.6 x 15.6 -in
	Weight (Net/Shipping)	114.4/124.3 LBS
	Min. Number of Indoor Units	1
	Max. Number of Indoor Units	2

**Refrigerant Piping Data**

Refrigerant Type	R410A
Refrigerant Charge	56.4 oz
Additional Charge Per Line Length	0.21-oz/ft
Connection Method	Flared
Factory Charge for Total Line Length	33-ft
Total Refrigerant Pipe Length	65-ft
Max Refrigerant Piping Length to any Indoor Unit	33-ft
Min Refrigerant Piping Length to any Indoor Unit	10-ft
Max Elevation between Indoor Units	33-ft
Max Lift from Outdoor to Indoor Unit	33-ft
Max Drop from Outdoor to Indoor Unit	33-ft



**SYSTEM FEATURES**

Inverter Type	G10
Ultra Low Frequency Torque Control	YES
Power Factor Correction	YES
Compressor Type	Inverter Rotary
Refrigerant Type	R410A
Basepan With Electric Heater	YES
Compressor With Electric Heater	YES
Condenser Fan	Axial
Condenser Motor Type	DC
Condenser Motor Drive	Direct
Condenser Coil	Aluminum Fin/Copper Tube
Outdoor Fin Coating (Blue)	Acrylic Resin
Intelligent Defrosting	YES
Low Voltage Startup	YES
Memory/Power Failure Recovery	YES
Self Diagnosis	YES
Low Ambient Cooling	YES
XK19 Wired Controller Interface	YES

**REMOTE CONTROLLER FUNCTIONS<sup>1</sup>**See individual Indoor Unit  
Controllers Functions<sup>1</sup> Not all Remote Controller functions are supported.**XK19 WIRED CONTROLLER FUNCTIONS<sup>2</sup>**

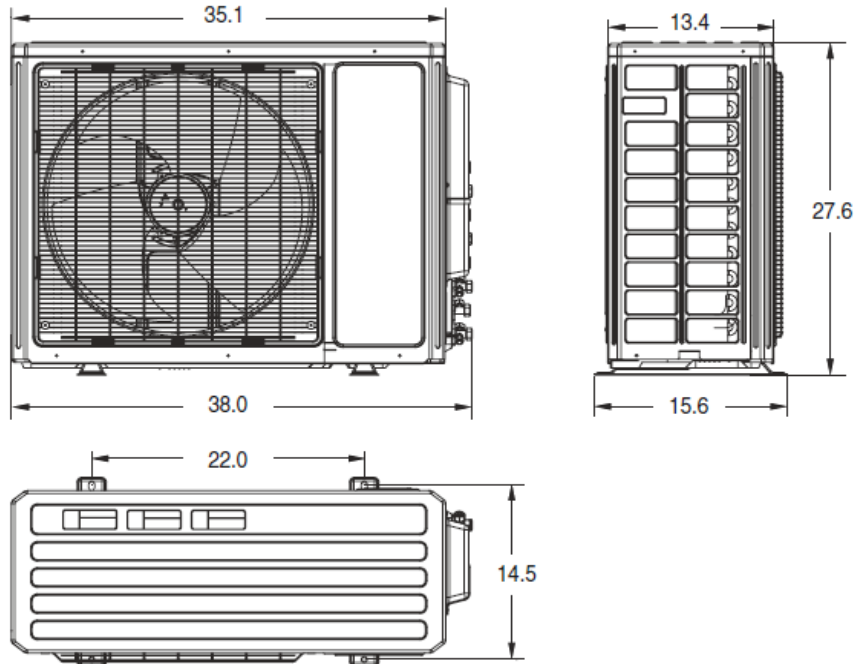
On/Off	YES
Operating Mode	YES
Fan Speed	YES
Room Setpoint	YES
Model Numbers	YES
Timer Mode	YES
Sleep Mode	YES
Turbo Mode	YES
X-Fan Mode	YES
Privacy Lock	YES

<sup>2</sup> Note: Some indoor models may not support specific system features or functions.

Units: inch

**18,000 BTUH MODEL**

Model # MULTI18HP230V1CO 18,000 BTUH 230V



**Suction/Gas Line Port Size**

Port A	3/8-in OD Flared
Port B	3/8-in OD Flared

**Liquid Line Port Size**

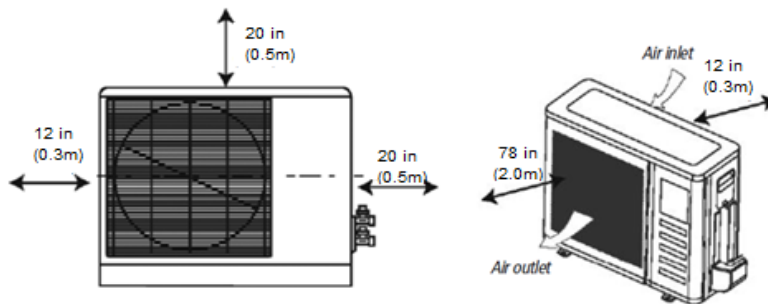
Port A	1/4-in OD Flared
Port B	1/4-in OD Flared

**Factory Supplied Piping Adapters**

Adapter	P/N	Qty
3/8 (F) to 1/2 (M)	6643008	2

**MINIMUM SPACING REQUIREMENTS**

Units: inch (m)



**Notes:**

1. Recommended Interconnecting Cable Type Stranded Copper Conductors THHN 600V Unshielded Wire
2. Power wiring cable size must comply with applicable national and local codes.
3. Test conditions are based on AHRI 210/240.

Specifications are subject to change without notice. Manufacturer reserves the right to discontinue or modify specifications or designs without notice or without incurring obligations. All rights reserved.

**COOLING CAPACITY (BTUH)**

<b>Indoor Units Combinations</b>	<b>Rated System Capacity (BtuH)</b>	<b>Indoor Unit A (BtuH)</b>	<b>Indoor Unit B (BtuH)</b>	<b>Indoor Unit C (BtuH)</b>	<b>Indoor Unit D (BtuH)</b>
9K	18,000	9,000	NA	NA	NA
12K	21,000	12,000	NA	NA	NA
9K+9K	18,000	9,000	9,000	NA	NA
9K+12K	16,719	6,824	9,895	NA	NA
12K+12K	16,718	8,359	8,359	NA	NA

**HEATING CAPACITY (BTUH)**

<b>Indoor Units Combinations</b>	<b>Rated System Capacity (BtuH)</b>	<b>Indoor Unit A (BtuH)</b>	<b>Indoor Unit B (BtuH)</b>	<b>Indoor Unit C (BtuH)</b>	<b>Indoor Unit D (BtuH)</b>
9K	19,000	9,000	NA	NA	NA
12K	19,000	11,874	NA	NA	NA
9K+9K	18,000	9,000	9,000	NA	NA
9K+12K	20,063	8,189	11,874	NA	NA
12K+12K	20,062	10,031	10,031	NA	NA

Capacity data is based on the following conditions :

Cooling Nominal Test Conditions

Indoor: 80°F DB/67°F WB

Outdoor: 95°F DB/75°F WB

Heating Nominal Test Conditions

Indoor: 70°F DB/60°F WB

Outdoor: 47°F DB/43°F W

**COOLING PERFORMANCE**

DB WB		Indoor Ambient Temperature											
		70°F (21°C)			75°F (24°C)			80°F (27°C)			90°F (32°C)		
		59°F (15°C)			63°F (17°C)			67°F (19°C)			73°F (23°C)		
		TC (BtuH)	SC (BtuH)	Input Power (watts)	TC (BtuH)	SC (BtuH)	Input Power (watts)	TC (BtuH)	SC (BtuH)	Input Power (watts)	TC (BtuH)	SC (BtuH)	Input Power (watts)
Outdoor Ambient Temperature (DB)	-4°F (-18°C)	10,850	8,510	700	12,230	9,600	740	12,930	10,140	770	14,570	11,430	820
	5°F (-15°C)	11,120	8,720	700	12,550	9,840	750	13,420	10,530	770	14,940	11,720	820
	14°F (-10°C)	11,480	9,010	720	12,950	10,160	760	13,690	10,740	790	15,430	12,100	850
	23°F (-5°C)	12,580	9,870	720	14,330	11,240	760	15,420	12,090	790	16,960	13,300	840
	32°F (0°C)	13,226	10,375	719	15,064	11,814	763	15,489	12,143	789	17,829	13,989	841
	41°F (5°C)	13,905	10,907	756	15,836	12,419	802	16,283	12,766	829	18,743	14,707	884
	50°F (10°C)	14,484	11,361	788	16,496	12,937	835	16,961	13,298	864	19,524	15,319	921
	59°F (15°C)	15,260	11,970	830	17,380	13,630	880	17,870	14,010	910	20,570	16,140	970
	68°F (20°C)	17,281	13,553	1,221	18,361	14,398	1,260	19,621	15,389	1,337	22,501	17,650	1,430
	77°F (25°C)	17,077	13,395	1,254	18,163	14,246	1,293	19,441	15,249	1,375	22,321	17,504	1,474
	86°F (30°C)	16,235	12,733	1,403	17,317	13,584	1,447	18,901	14,824	1,535	21,631	16,963	1,645
	95°F (35°C)	15,367	12,052	1,507	16,441	12,891	1,551	18,001	14,119	1,650	20,719	16,252	1,766
	104°F (40°C)	14,623	11,469	1,557	15,691	12,307	1,606	17,533	13,754	1,705	19,975	15,662	1,826
	113°F (45°C)	13,873	10,879	1,590	14,941	11,718	1,639	16,789	13,164	1,744	19,225	15,079	1,865
118°F (48°C)	13,501	10,587	1,606	14,401	11,292	1,656	16,201	12,709	1,760	18,541	14,544	1,881	

**HEATING PERFORMANCE**

DB WB		Indoor Ambient Temperature											
		70°F (21°C)			75°F (24°C)			80°F (27°C)			90°F (32°C)		
		59°F (15°C)			63°F (17°C)			67°F (19°C)			73°F (23°C)		
DB	TC (BtuH)	Input Power (watts)	COP	TC (BtuH)	Input Power (watts)	COP	TC (BtuH)	Input Power (watts)	COP	SC (BtuH)	Input Power (watts)	COP	
Outdoor Ambient Temperature (DB)	-5°F (-21°C)	10,865	1,061	3.00	10,656	1,087	2.87	10,325	1,112	2.72	9,968	1,146	2.55
	0°F (-18°C)	11,121	1,095	2.98	10,800	1,117	2.83	10,598	1,158	2.68	10,319	1,185	2.55
	5°F (-15°C)	11,428	1,119	2.99	11,099	1,142	2.85	10,891	1,184	2.69	10,606	1,212	2.56
	7°F (-14°C)	11,736	1,144	3.01	11,397	1,167	2.86	11,184	1,210	2.71	10,893	1,238	2.58
	17°F (-8°C)	12,597	1,193	3.09	12,229	1,217	2.94	11,997	1,262	2.78	11,683	1,291	2.65
	28°F (-2°C)	14,230	1,271	3.28	13,856	1,297	3.13	13,458	1,345	2.93	13,298	1,376	2.83
	38°F (3°C)	17,693	1,463	3.54	17,319	1,492	3.40	16,927	1,548	3.20	16,761	1,583	3.10
	47°F (8°C)	19,997	1,522	3.85	19,392	1,553	3.66	19,006	1,610	3.46	18,483	1,647	3.29
	57°F (14°C)	20,657	1,551	3.90	20,033	1,583	3.71	19,635	1,641	3.50	19,089	1,679	3.33
	68°F (20°C)	21,490	1,600	3.93	20,840	1,640	3.72	20,430	1,700	3.52	19,860	1,740	3.34
	77°F (25°C)	21,990	1,640	3.93	21,330	1,680	3.72	20,900	1,740	3.52	20,320	1,780	3.34

**LEGEND**

- DB --- Dry Bulb
- WB --- Wet Bulb
- TC --- Total Capacity (BtuH)
- SC --- Sensible Capacity (BtuH)
- Input Power---(Watts)
- COP---Coefficient Of Performance

Specifications are subject to change without notice. Manufacturer reserves the right to discontinue or modify specifications or designs without notice or without incurring obligations. All rights reserved.