

SUBMITTAL DATA

MULTIU42HP230V1DO
42000 BTU/H Multi-Zone Heat Pump System

Job Name

Location

Date

Purchaser

Engineer

Submitted to

For

Unit Designation

Schedule No.



MULTIU42HP230V1DO

GENERAL FEATURES

- AHRI Certificate: 204288781 (Non-Ducted)
204630895 (Ducted)
204664398 (Mixed)
- High Efficiency DC Inverter Technology
- Compact and Quiet Design
- Auto Restart on Power Outages
- Multi-point Diagnostics
- Wi-Fi Included (Factory Installed)
- Low Ambient Cooling down to 0°F (Range 0°F to 115°F)
- Low Ambient Heating down to -31°F (Range -31°F to 75°F)
- Coil (Outdoor) Copper Tube/Aluminum Fin with Anti-Corrosion Coil Coating (Gold Colored Fin - 1500Hr Salt Spray Rating)
- Coil (Indoor) Copper Tube/Aluminum Fin with Anti-Corrosion Coil Coating (Blue Colored Fin - 500Hr Salt Spray Rating)

MULTI-ZONE COMPATIBILITY CHART

WALL MOUNT OPTIONS

	MULTI GEN2					MULTI+ ULTRA			
	MULTI18HP230VIEO	MULTI24HP230VIEO	MULTI30HP230VIEO	MULTI36HP230VIEO	MULTI42HP230VIEO	MULTIU18HP230VIDO	MULTIU24HP230VIDO	MULTIU36HP230VIDO	MULTIU42HP230VIDO
LIVO GEN3									
System Model no.									
LIVV09HP230V1AH	•	•	•	•	•	•	•	•	•
LIVV12HP230V1AH	•	•	•	•	•	•	•	•	•
LIVV18HP230V1AH		•	•	•	•	•	•	•	•
LIVV24HP230V1AH			•	•	•		•	•	•
LIVV30HP230V1AH									
LIVV36HP230V1AH									
LIVO GEN4									
System Model no.									
4LIV05HP230V1AH	•	•	•	•	•				
4LIV07HP230V1AH	•	•	•	•	•				
4LIV09HP230V1AH	•	•	•	•	•	•	•	•	•
4LIV12HP230V1AH	•	•	•	•	•	•	•	•	•
4LIV18HP230V1AH		•	•	•	•	•	•	•	•
4LIV24HP230V1AH			•	•	•		•	•	•
4LIV30HP230V1AH									
4LIV36HP230V1AH									
VIREO GEN3									
System Model no.									
3VIR09HP230V1AH & BH ¹	•	•	•	•	•	•	•	•	•
3VIR12HP230V1AH & BH ¹	•	•	•	•	•	•	•	•	•
3VIR18HP230V1AH & BH ¹		•	•	•	•	•	•	•	•
3VIR24HP230V1AH & BH ¹			•	•	•		•	•	•
VIREO+ ULTRA									
System Model no.									
VIRU30HP230V1AH									
VIRU36HP230V1AH									
SAPPHIRE									
System Model no.									
SAP09HP230V1AH	•	•	•	•	•	•	•	•	•
SAP12HP230V1AH	•	•	•	•	•	•	•	•	•
SAP18HP230V1AH		•	•	•	•	•	•	•	•
SAP24HP230V1AH			•	•	•		•	•	•

¹AH = MATT FINISH; BH = SMOOTH FINISH

ADDITIONAL INDOOR UNIT OPTIONS

	MULTI GEN2					MULTI+ ULTRA			
	MULTI18HP230VIEO	MULTI24HP230VIEO	MULTI30HP230VIEO	MULTI36HP230VIEO	MULTI42HP230VIEO	MULTIU18HP230VID	MULTIU24HP230VID	MULTIU36HP230VID	MULTIU42HP230VID
HIGH STATIC CONCEALED SLIM DUCT									
System Model no.									
DUCT09HP230V1BD	•	•	•	•	•	•	•	•	•
DUCT12HP230V1BD	•	•	•	•	•	•	•	•	•
DUCT18HP230V1BD		•	•	•	•		•	•	•
DUCT24HP230V1BD			•	•	•			•	•
CEILING CASSETTE									
System Model no.									
CAS12HP230V1BC	•	•	•	•	•	•	•	•	•
CAS18HP230V1BC		•	•	•	•		•	•	•
CAS24HP230V1BC			•	•	•			•	•
FLOOR / CEILING									
System Model no.									
FLR09HP230V1BF	•	•	•	•	•	•	•	•	•
FLR12HP230V1BF	•	•	•	•	•	•	•	•	•
FLR18HP230V1BF		•	•	•	•		•	•	•
FLR24HP230V1BF			•	•	•			•	•
MINI-CONSOLE									
System Model no.									
CONS09HP230V1AF	•	•	•	•	•	•	•	•	•
CONS12HP230V1AF	•	•	•	•	•	•	•	•	•
CONS18HP230V1AF		•	•	•	•		•	•	•

NOTE: All indoor units listed above are backward compatible with MULTI AO, BO, & CO models and MULTIU BO models. However, 4LIV05HP230V1AH & 4LIV07HP230V1AH are only backward compatible with MULTI CO models.

SPECIFICATIONS, FEATURES & FUNCTION SUMMARY

SPECIFICATIONS		MULTIU42HP230V1D0	
System Type	HEAT PUMP		
Number of Zones	2 - 5		
SYSTEM PERFORMANCE		NON-DUCTED INDOOR UNITS	
Cooling	Min - Max	Btu/h	8871 - 42991
	Capacity @95°F	Btu/h	42000
Heating	Min - Max	Btu/h	8871 - 46062
	Capacity @5°F (Max)	Btu/h	31200
	Capacity @17°F	Btu/h	30000
	Capacity @47°F	W	42000
SEER2	16		
EER2	9		
HSPF2	8.6		
COP @5°F	1.8		
COP @47°F	3.7		
SYSTEM PERFORMANCE		DUCTED INDOOR UNITS	
Cooling	Min - Max	Btu/h	8871 - 40944
	Capacity @95°F	Btu/h	42000
Heating	Min - Max	Btu/h	8871 - 46062
	Capacity @5°F	Btu/h	
	Capacity @17°F	Btu/h	30800
	Capacity @47°F	W	42000
SEER2	14.5		
EER2	8.0		
HSPF2	7.6		
COP @5°F			
COP @47°F	3.4		
SYSTEM PERFORMANCE		MIXED DUCTED AND NON-DUCTED INDOOR UNITS	
Cooling	Min - Max	Btu/h	8871 - 40944
	Capacity @95°F	Btu/h	42000
Heating	Min - Max	Btu/h	8871 - 46062
	Capacity @5°F	Btu/h	
	Capacity @17°F	Btu/h	
	Capacity @47°F	W	42000
SEER2	15.0		
EER2	8.3		
HSPF2	8.0		
COP @5°F			
COP @47°F	3.5		
OUTDOOR UNIT		MULTIU42HP230V1D0	
Cooling Temperature Range	°F	0 - 115	
Heating Temperature Range	°F	-31 - 86	
Refrigerant Type	R410A		
Compressor Type	GREE G-10 / 2 - STAGE INVERTER		
Sound Pressure Level	dB(A)	60	
External Dimensions (W x H x D)	in	42-13/16 x 43-7/16 x 17-5/16	
Package Dimension (W x H x D)	in	45-1/2 x 45-1/2 x 18-7/8	
Net Weight	lbs	282	
Gross Weight	lbs	300	

REFRIGERANT PIPING		
Refrigerant Charge - R410A	oz	176.3
Additional Charge	oz/ft	0.2
Port Size (Liquid - Gas)	port A (in)	1/4 - 3/8
	port B (in)	1/4 - 3/8
	port C (in)	1/4 - 3/8
	port D (in)	1/4 - 3/8
	port E (in)	1/4 - 3/8
Pre-Charge Length	ft	131
Pipe Length (Min - Max)	ft	10 - 246
Pipe Length to furthest Indoor Unit	ft	82
Max. Pipe Elevation	ft	49
ELECTRICAL		
Power Supply	208-230V / 1Ph / 60Hz	
Voltage Range (Min - Max)	VAC	187 - 253
Rated Current - Cooling	A	32
Rated Current - Heating	A	32
MCA	A	38
MOCP	A	60
Suggested Breaker Size	A	40
Main Power Wire Size	AWG	Per Local Code
Interconnecting Wire Size	AWG	14 / 4

FEATURES & FUNCTIONS SUMMARY	MULTIU42HP230V1D0
SYSTEM FEATURES	
Inverter Type	G10
Ultra Low Frequency Torque Control	Yes
Power Factor Correction	Yes
Compressor Type - Inverter	High Efficiency Rotary
Basepan With Electric Heater	Yes
Outdoor Fin Coating (Gold Colored Fin)	Yes
Intelligent Defrosting	Yes
Intelligent Preheating	Yes
Low Voltage Startup	Yes
Memory/Power Failure Recovery	Yes
Self Diagnosis	Yes

ALLOWABLE COMBINATIONS CAPACITIES

MODEL NUMBER	POSSIBLE COMBINATIONS*	COOLING CAPACITY (Btu/h)					HEATING CAPACITY (Btu/h)				
		ZONE1	ZONE2	ZONE3	ZONE4	ZONE5	ZONE1	ZONE2	ZONE3	ZONE4	ZONE5
MULTIU42HP230V1DO	9K+12K	9,000	12,000				9,000	12,000			
MULTIU42HP230V1DO	9K+18K	9,000	18,000				9,000	18,000			
MULTIU42HP230V1DO	9K+24K	9,000	24,000				9,000	24,000			
MULTIU42HP230V1DO	12K+12K	12,000	12,000				12,000	12,000			
MULTIU42HP230V1DO	12K+18K	12,000	18,000				12,000	18,000			
MULTIU42HP230V1DO	12K+24K	12,000	24,000				12,000	24,000			
MULTIU42HP230V1DO	18K+18K	18,000	18,000				18,000	18,000			
MULTIU42HP230V1DO	18K+24K	15,429	20,571				17,143	22,857			
MULTIU42HP230V1DO	24K+24K	18,000	18,000				20,000	20,000			
MULTIU42HP230V1DO	9K+9K+9K	9,000	9,000	9,000			9,000	9,000	9,000		
MULTIU42HP230V1DO	9K+9K+12K	9,000	9,000	12,000			9,000	9,000	12,000		
MULTIU42HP230V1DO	9K+9K+18K	9,000	9,000	18,000			9,000	9,000	18,000		
MULTIU42HP230V1DO	9K+9K+24K	7,714	7,714	20,571			8,571	8,571	22,857		
MULTIU42HP230V1DO	9K+12K+12K	9,000	12,000	12,000			9,000	12,000	12,000		
MULTIU42HP230V1DO	9K+12K+18K	8,308	11,077	16,615			9,000	12,000	18,000		
MULTIU42HP230V1DO	9K+12K+24K	7,200	9,600	19,200			8,000	10,667	21,333		
MULTIU42HP230V1DO	9K+18K+18K	7,200	14,400	14,400			8,000	16,000	16,000		
MULTIU42HP230V1DO	9K+18K+24K	6,353	12,706	16,941			7,059	14,118	18,824		
MULTIU42HP230V1DO	9K+24K+24K	5,684	15,158	15,158			6,316	16,842	16,842		
MULTIU42HP230V1DO	12K+12K+12K	12,000	12,000	12,000			12,000	12,000	12,000		
MULTIU42HP230V1DO	12K+12K+18K	10,286	10,286	15,429			11,429	11,429	17,143		
MULTIU42HP230V1DO	12K+12K+24K	9,000	9,000	18,000			10,000	10,000	20,000		
MULTIU42HP230V1DO	12K+18K+18K	9,000	13,500	13,500			10,000	15,000	15,000		
MULTIU42HP230V1DO	12K+18K+24K	8,000	12,000	16,000			8,889	13,333	17,778		
MULTIU42HP230V1DO	12K+24K+24K	7,200	14,400	14,400			8,000	16,000	16,000		
MULTIU42HP230V1DO	18K+18K+18K	12,000	12,000	12,000			13,333	13,333	13,333		
MULTIU42HP230V1DO	18K+18K+24K	10,800	10,800	14,400			12,000	12,000	16,000		
MULTIU42HP230V1DO	9K+9K+9K+9K	9,000	9,000	9,000	9,000		9,000	9,000	9,000	9,000	
MULTIU42HP230V1DO	9K+9K+9K+12K	8,308	8,308	8,308	11,077		9,000	9,000	9,000	12,000	
MULTIU42HP230V1DO	9K+9K+9K+18K	7,200	7,200	7,200	14,400		8,000	8,000	8,000	16,000	
MULTIU42HP230V1DO	9K+9K+9K+24K	6,353	6,353	6,353	16,941		7,059	7,059	7,059	18,824	
MULTIU42HP230V1DO	9K+9K+12K+12K	7,714	7,714	10,286	10,286		8,571	8,571	11,429	11,429	
MULTIU42HP230V1DO	9K+9K+12K+18K	6,750	6,750	9,000	13,500		7,500	7,500	10,000	15,000	
MULTIU42HP230V1DO	9K+9K+12K+24K	6,000	6,000	8,000	16,000		6,667	6,667	8,889	17,778	
MULTIU42HP230V1DO	9K+9K+18K+18K	6,000	6,000	12,000	12,000		6,667	6,667	13,333	13,333	

ALLOWABLE COMBINATIONS CAPACITIES

MODEL NUMBER	POSSIBLE COMBINATIONS*	COOLING CAPACITY (Btu/h)					HEATING CAPACITY (Btu/h)				
		ZONE1	ZONE2	ZONE3	ZONE4	ZONE5	ZONE1	ZONE2	ZONE3	ZONE4	ZONE5
MULTIU42HP230V1DO	9K+9K+18K+24K	5,400	5,400	10,800	14,400		6,000	6,000	12,000	16,000	
MULTIU42HP230V1DO	9K+12K+12K+12K	7,200	9,600	9,600	9,600		8,000	10,667	10,667	10,667	
MULTIU42HP230V1DO	9K+12K+12K+18K	6,353	8,471	8,471	12,706		7,059	9,412	9,412	14,118	
MULTIU42HP230V1DO	9K+12K+12K+24K	5,684	7,579	7,579	15,158		6,316	8,421	8,421	16,842	
MULTIU42HP230V1DO	9K+12K+18K+18K	5,684	7,579	11,368	11,368		6,316	8,421	12,632	12,632	
MULTIU42HP230V1DO	9K+12K+18K+24K	5,143	6,857	10,286	13,714		5,714	7,619	11,429	15,238	
MULTIU42HP230V1DO	9K+18K+18K+18K	5,143	10,286	10,286	10,286		5,714	11,429	11,429	11,429	
MULTIU42HP230V1DO	12K+12K+12K+12K	9,000	9,000	9,000	9,000		10,000	10,000	10,000	10,000	
MULTIU42HP230V1DO	12K+12K+12K+18K	8,000	8,000	8,000	12,000		8,889	8,889	8,889	13,333	
MULTIU42HP230V1DO	12K+12K+12K+24K	7,200	7,200	7,200	14,400		8,000	8,000	8,000	16,000	
MULTIU42HP230V1DO	12K+12K+18K+18K	7,200	7,200	10,800	10,800		8,000	8,000	12,000	12,000	
MULTIU42HP230V1DO	9K+9K+9K+9K+9K	7,200	7,200	7,200	7,200	7,200	8,000	8,000	8,000	8,000	8,000
MULTIU42HP230V1DO	9K+9K+9K+9K+12K	6,750	6,750	6,750	6,750	9,000	7,500	7,500	7,500	7,500	10,000
MULTIU42HP230V1DO	9K+9K+9K+9K+18K	6,000	6,000	6,000	6,000	12,000	6,667	6,667	6,667	6,667	13,333
MULTIU42HP230V1DO	9K+9K+9K+9K+24K	5,400	5,400	5,400	5,400	14,400	6,000	6,000	6,000	6,000	16,000
MULTIU42HP230V1DO	9K+9K+9K+12K+12K	6,353	6,353	6,353	8,471	8,471	7,059	7,059	7,059	9,412	9,412
MULTIU42HP230V1DO	9K+9K+9K+12K+18K	5,684	5,684	5,684	7,579	11,368	6,316	6,316	6,316	8,421	12,632
MULTIU42HP230V1DO	9K+9K+9K+12K+24K	5,143	5,143	5,143	6,857	13,714	5,714	5,714	5,714	7,619	15,238
MULTIU42HP230V1DO	9K+9K+9K+18K+18K	5,143	5,143	5,143	10,286	10,286	5,714	5,714	5,714	11,429	11,429
MULTIU42HP230V1DO	9K+9K+12K+12K+12K	6,000	6,000	8,000	8,000	8,000	6,667	6,667	8,889	8,889	8,889
MULTIU42HP230V1DO	9K+9K+12K+12K+18K	5,400	5,400	7,200	7,200	10,800	6,000	6,000	8,000	8,000	12,000
MULTIU42HP230V1DO	9K+12K+12K+12K+12K	5,684	7,579	7,579	7,579	7,579	6,316	8,421	8,421	8,421	8,421
MULTIU42HP230V1DO	9K+12K+12K+12K+18K	5,143	6,857	6,857	6,857	10,286	5,714	7,619	7,619	7,619	11,429
MULTIU42HP230V1DO	12K+12K+12K+12K+12K	7,200	7,200	7,200	7,200	7,200	8,000	8,000	8,000	8,000	8,000

Outdoor Unit & Possible Indoor Unit Combinations with AHRI Certified Performance

DIMENSIONS

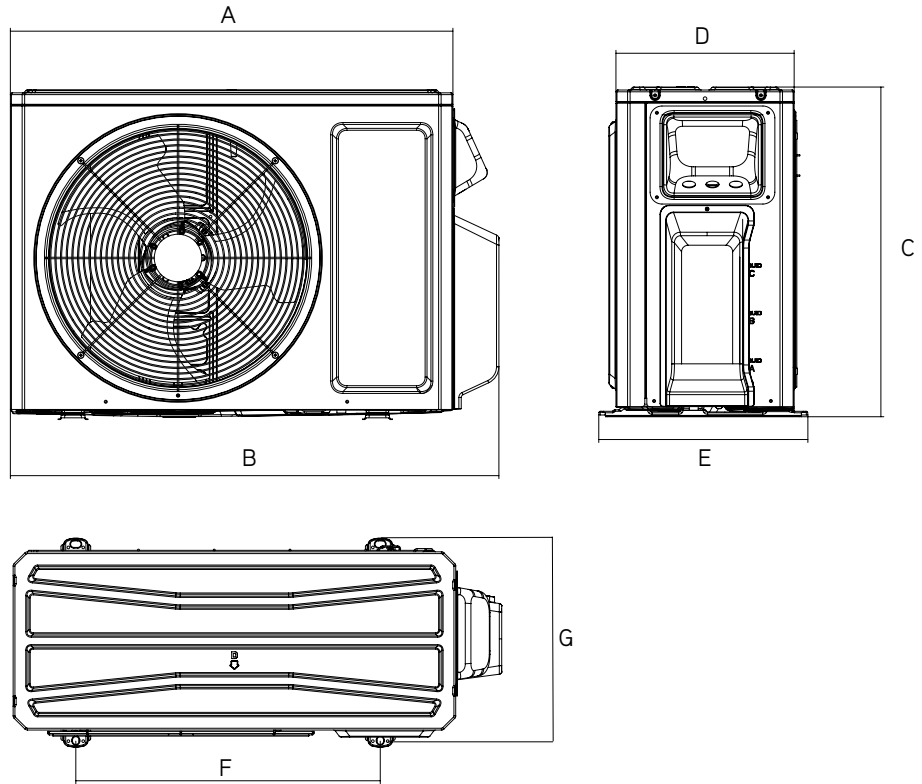
OUTDOOR UNIT

Unit: inch

MULTIU42HP230V1DO

DIMENSIONS

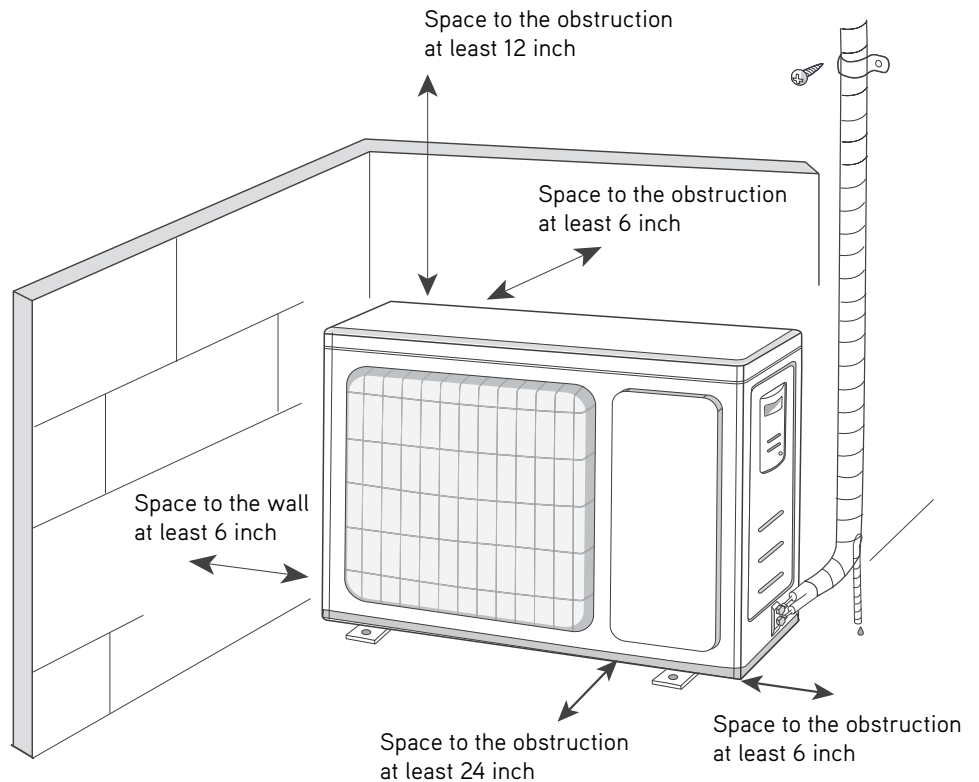
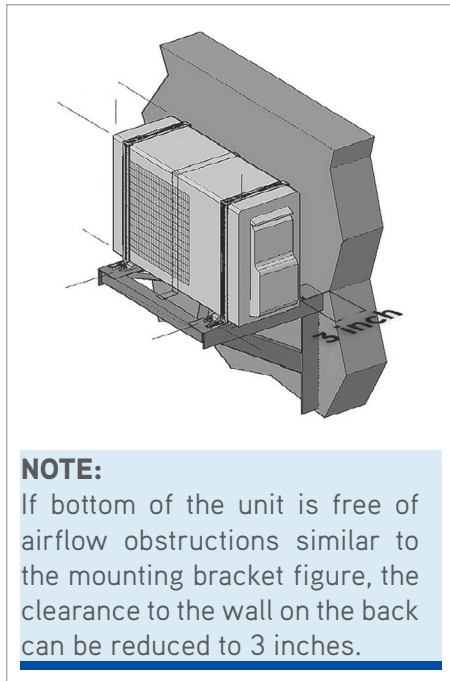
A	40
B	42-13/16
C	43-7/16
D	17-5/16
E	17-5/16
F	24-13/16
G	16-1/2



CLEARANCES

OUTDOOR UNIT

Minimum clearance



Specifications are subject to change without notice. Manufacturer reserves the right to discontinue or modify specifications or designs without notice or without incurring obligations. All Rights reserved.

GREECOMFORT.COM/SYSTEM-DOCUMENTATION