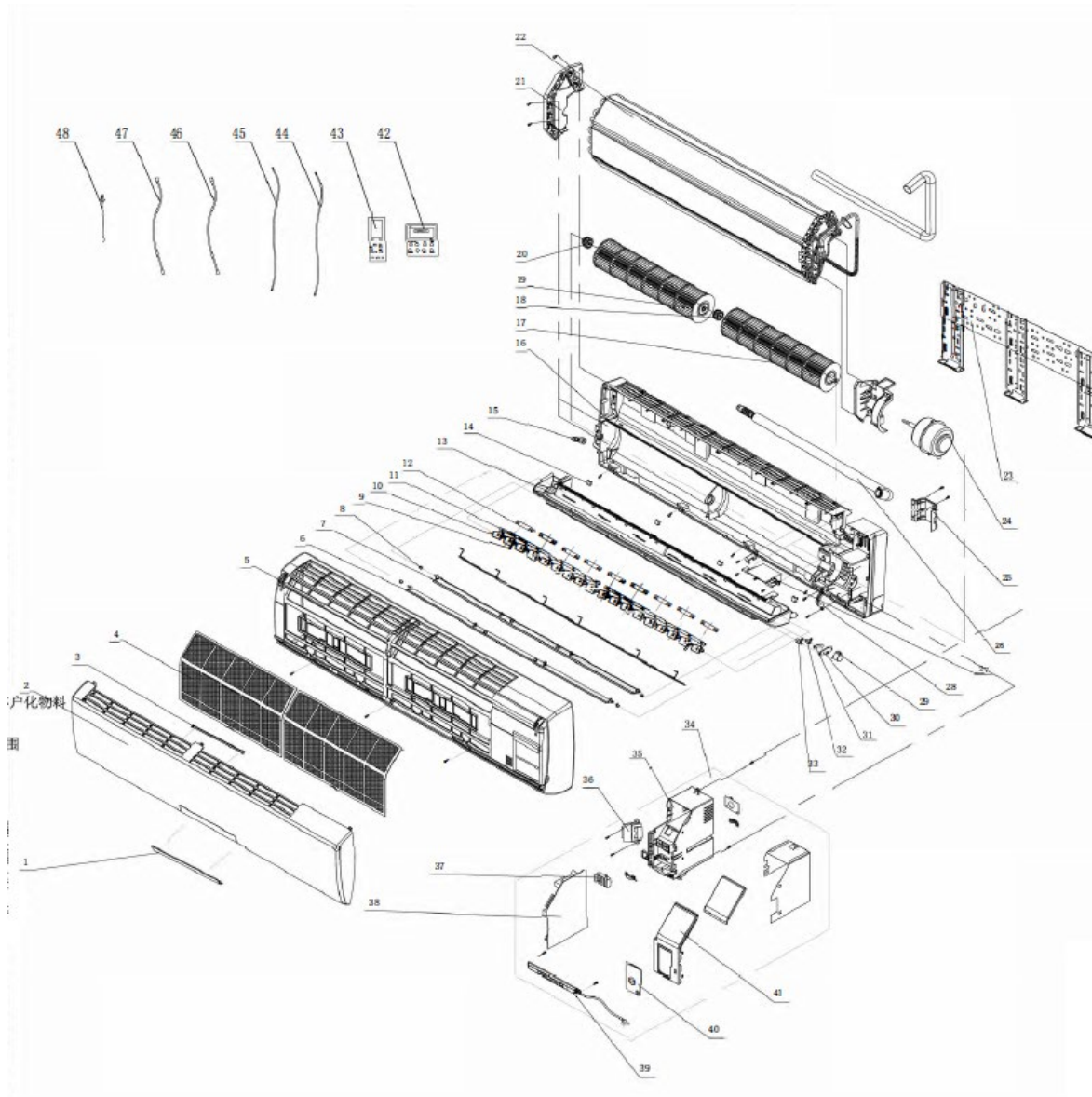


# LIVS36HP230V1CH Parts List



NO.	Part Description	Qty	Part Code
1	Receiver Window	1	22430024
2	Front Panel	1	20000300022S
3	Stand Bar	1	2421212001
4	Filter Sub-Assy	2	1112210602
5	Front Case Sub-Assy	1	20900700005
6	Upper Guide Louver	1	1051216601
7	Lower Guide Louver	1	1051216701
8	Axile Bush	6	10542704
9	Air Louver 2	2	1051216902
10	Air Louver 1	16	1051216802
11	Connecting Rod	2	10582086
12	Louver Clamp	9	26112158
13	Water Tray	1	2018213802
14	Screw Cover	4	2425200506
15	Screw Cover	4	2425200506
16	Rubber Plug (Water Tray)	1	76712012
17	Rear Case assy	1	00000100113
18	Cross Flow Fan 1	1	10352039
19	Bearing Holder Sub-assy	1	26152028
20	Cross Flow Fan 2	1	10352040
21	O-Gasket sub-assy of Bearing	1	76512051
22	Left Evaporator Support	1	24212041
23	Evaporator Assy	1	01002000027
24	Wall Mounting Frame	1	01252398
25	Fan Motor	1	1501213401
26	Pipe Clamp	1	26112071
27	Drainage Hose	1	0523001404
28	Cover Plate	1	2012212402
29	Motor Fixed Clip 1	1	26112324
30	SteppingMotor	1	1521210701
31	Press Plate(Crank)	1	26112070
32	Crank-guide	1	10582041
33	Upper Crank	1	10562004
34	Lower crank	1	10562005
35	Electric Box Assy	1	100002064434
36	Electric Box	1	201022502
37	Transformer	0	none
38	Terminal Board	1	42011233
39	Main Board	1	30138001017
40	Display Board	0	none
41	Electric Box Cover	1	201022523
42	Electric Box Cover	1	2011204404S
43	Display Board	1	30565277
44	Remote Controller	1	305001000085
45	Connecting Cable	0	none
46	Power Cord	0	none
47	Signal Wire	1	4001024507
48	Temperature Sensor	1	390000592
49	Temperature Sensor	1	390000453