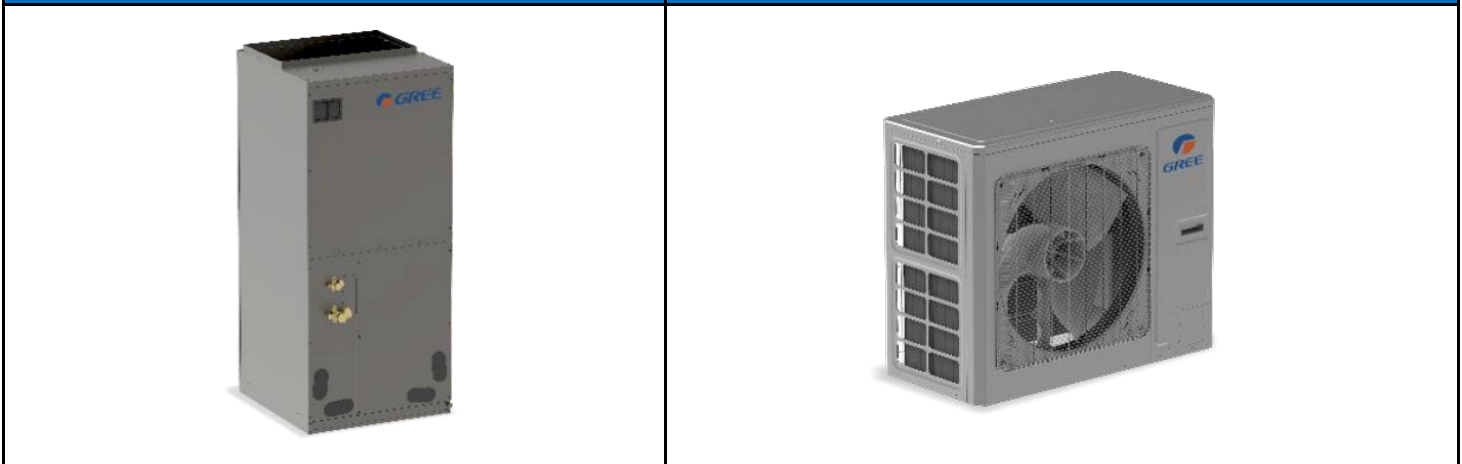




SUBMITTAL DATA: FLEXX36HP230V1BH / FLEXX36AC230V1AO 36000 BTU/H Unitary Cooling Only Split System

Job Name	Location	Date
Purchaser	Engineer	
Submitted To	For	
Unit Designation	Schedule No.	

FLEXX36HP230V1BH	FLEXX36AC230V1AO
-------------------------	-------------------------



GENERAL FEATURES

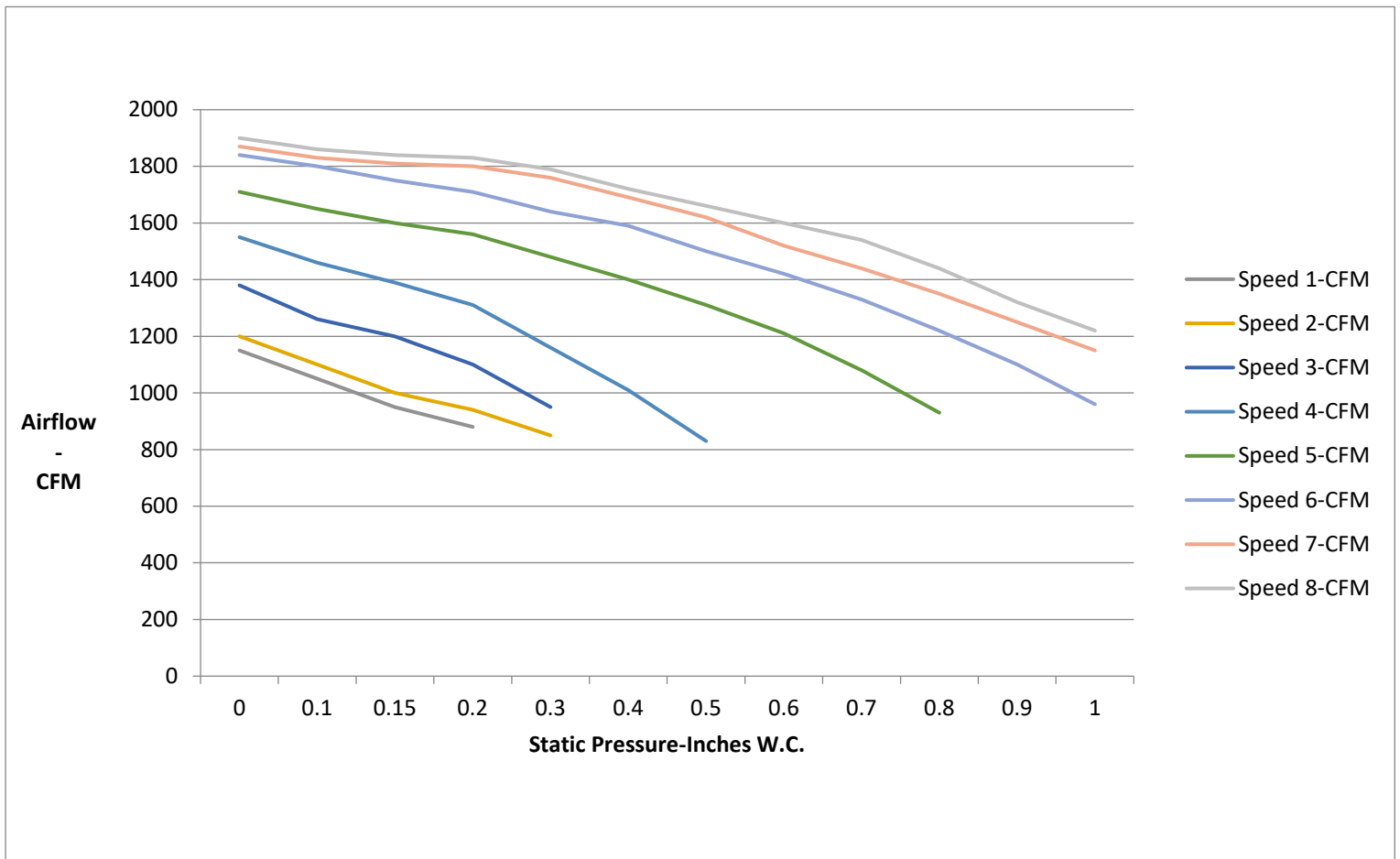
- High Efficiency DC Inverter Technology**
- Compact and Quiet 55 dB(A) Side Discharge Outdoor Unit**
- Zero Lot Line Design**
- Match with Gree or Competitive Indoor Unit**
- Designed for New Construction or Replacement Market**
- 24VAC Thermostat Compatible**
- 8 Speed Fan Motor**

Cooling Range 40°F to 118°F

Acrylic Resin/Anti-Corrosion Fin Coating (Blue - 500 Hr Salt Spray Rating)

5 Year Limited Compressor & Parts Warranty (Residential Only)

SPECIFICATIONS		FLEXX36HP230V1BH / FLEXX36AC230V1AO	
System Type		COOLING ONLY	
SYSTEM PERFORMANCE			
Cooling	Rated Capacity @ 95°F	Btu/h	36000
	Min-Max Capacity	Btu/h	18000 - 37000
SEER / EER		18 / 11	
Energy Star®		NO	
Cooling Temperature Range		°F	40 - 118
INDOOR UNIT		FLEXX36HP230V1BH	
Fan Motor Output Power		W	373
Fan Motor FLA		amps	3
Air Flow (Min - Max)		CFM	1000
Static Pressure (Rated / Maximum)		In w.c	0.15 / 1.0
Sound Pressure Level		dB(A)	47
Dehumidification		pt/hr	9.68
Condensate Drain Size (OD)		in	3 / 4
Unit Dimension (WxHxD)		in	21 1/4 x 48 1/4 x 21 1/4
Package Dimension (WxHxD)		in	26 x 50 7/16 x 23 3/4
Weight (Net / Gross)		lbs	156 / 169
Electric Heater (Optional)		kW	5, 8, 10
OUTDOOR UNIT		FLEXX36AC230V1AO	
Compressor Type		Inverter Rotary	
Compressor RLA		amps	16
Fan Motor Output Power		W	149
Fan Motor		amps	1.5
Sound Pressure Level		dB(A)	57
Unit Dimension (WxHxD)		in	32 1/4 x 37 x 18 1/8
Package Dimension (WxHxD)		in	38 3/8 x 42 11/16 x 22 9/16
Weight (Net / Gross)		lbs	217 / 240
Refrigerant Charge - R410A		oz	118.2
Coil Type (Blue Fin)		Copper Tube / Aluminum Fin	
REFRIGERANT PIPING			
Line Set Size (Liquid - Gas)		in	3/8 - 3/4
Pre-Charge Length		ft	31
Additional Charge		oz/ft	0.32
Pipe Length (Min - Max)		ft	10 - 100
Max. Pipe Elevation		ft	50
ELECTRICAL			
Power Supply (Voltage Operating Range)		208/230V / 1Ph / 60 Hz	
Outdoor Unit	Rated Current	amps	21
	MCA / MOCP	amps	24 / 35
Indoor Unit	Rated Current	amps	3
	MCA / MOCP	amps	4 / 15
Main Power Wire Size		AWG	Size Per Local Code
LIMITED WARRANTY		5 Years Parts and Compressor - Residential	

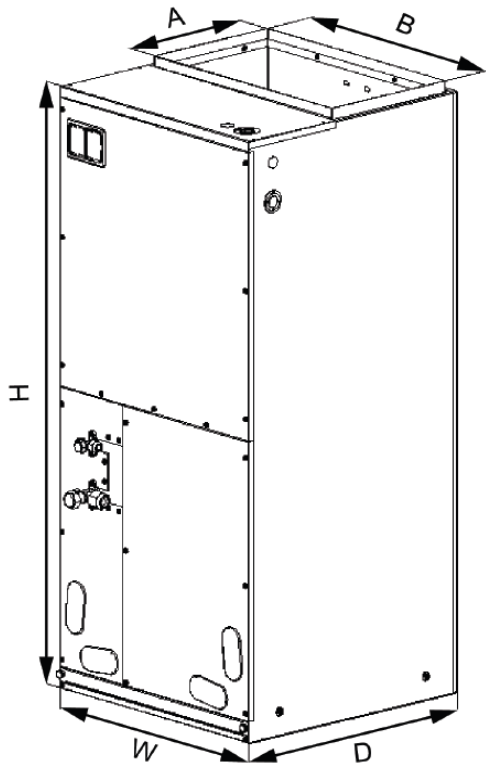


Static Pressure Inches W.C.	0	0.1	0.15	0.2	0.3	0.4	0.5	0.6	0.7	0.8	0.9	1.0
Speed 1-CFM	1150	1050	950	880								
Speed 2-CFM	1200	1100	1000	940	850							
Speed 3-CFM	1380	1260	1200	1100	950							
Speed 4-CFM	1550	1460	1390	1310	1160	1010	830					
Speed 5-CFM	1710	1650	1600	1560	1480	1400	1310	1210	1080	930		
Speed 6-CFM	1840	1800	1750	1710	1640	1590	1500	1420	1330	1220	1100	960
Speed 7-CFM	1870	1830	1810	1800	1760	1690	1620	1520	1440	1350	1250	1150
Speed 8-CFM	1900	1860	1840	1830	1790	1720	1660	1600	1540	1440	1320	1220

COOLING PERFORMANCE					
Outdoor Ambient Temperature (DB)		Return Air Temperature			
		80°F (DB)			
		TC (Btu/h)	SHR	EER	Power Input (W)
MAX OUTPUT	40°F	36000	69.5%	15.1	2380
	45°F	36000	71.2%	14.8	2430
	50°F	36000	70.0%	14.5	2480
	55°F	36000	70.8%	14.3	2510
	60°F	36000	71.0%	14.1	2550
	65°F	36000	70.0%	14.0	2580
	70°F	36000	71.5%	13.7	2630
	75°F	36000	69.8%	13.4	2680
	80°F	36000	70.4%	12.5	2880
	85°F	37000	69.5%	12.0	3080
	90°F	37000	71.7%	11.3	3280
	95°F	37000	70.0%	10.3	3580
	100°F	36000	70.8%	9.0	3980
	105°F	36000	69.0%	8.2	4380
	110°F	35000	70.9%	8.2	4280
	115°F	33000	71.0%	8.1	4080
118°F	30000	68.7%	7.9	3780	

LEGEND: W - Watts
 DB - Dry Bulb
 TC - Total Capacity
 SHR - Sensible Heat Ratio

SYSTEM FEATURES	
Inverter Type	G10
Ultra Low Frequency Torque Control	Yes
Power Factor Correction	Yes
Compressor Type	Rotary
Basepan With Electric Heater	No
Indoor & Outdoor Fin Coating	Yes
Low Voltage Startup	Yes
Memory/Power Failure Recovery	Yes
Self Diagnosis	Yes
Smart Thermostat / 24V Thermostat Compatible	Yes
Wired Controller Interface	No
WiFi Included	No
Indoor Fan Type	Centrifugal
Multi Fan Speeds	8
Rated External Static Pressure	0.1
External Static Pressure (Min - Max)	0 - 1.0
Indoor Unit Display	No
Auxiliary Electrical Heater	Optional
Ventilation (Outdoor Air)	No



Dimensions	
A	11 5/8
B	20
H	48 1/4
W	21 1/4
D	21 1/4

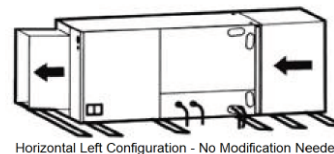
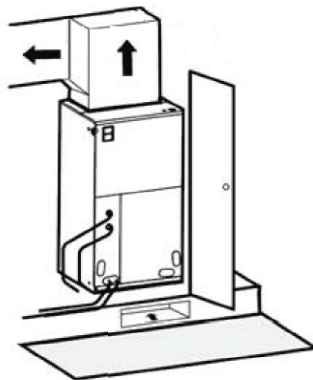
Filter Size	
Supplied*	19 1/4 x 20 1/4 x 1/2
Suggested	19 1/4 x 20 1/4 x 1

*Supplied filter is metal mesh

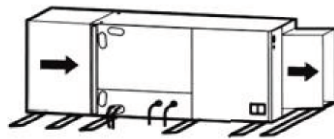
Clearances	
Front	> 24

Allow a minimum of 24" in front of the unit for service clearance. When installing in an area directly over a finished ceiling (such as an attic), an emergency drain pan is required directly under the unit. **See local and state codes for requirements.** When installing this unit in an area that may become wet, elevate the unit with a sturdy, non-porous material. In installations that may lead to physical damage (i.e. a garage) it is advised to install a protective barrier to prevent such damage. This air handler is designed for a complete supply and return ductwork system.

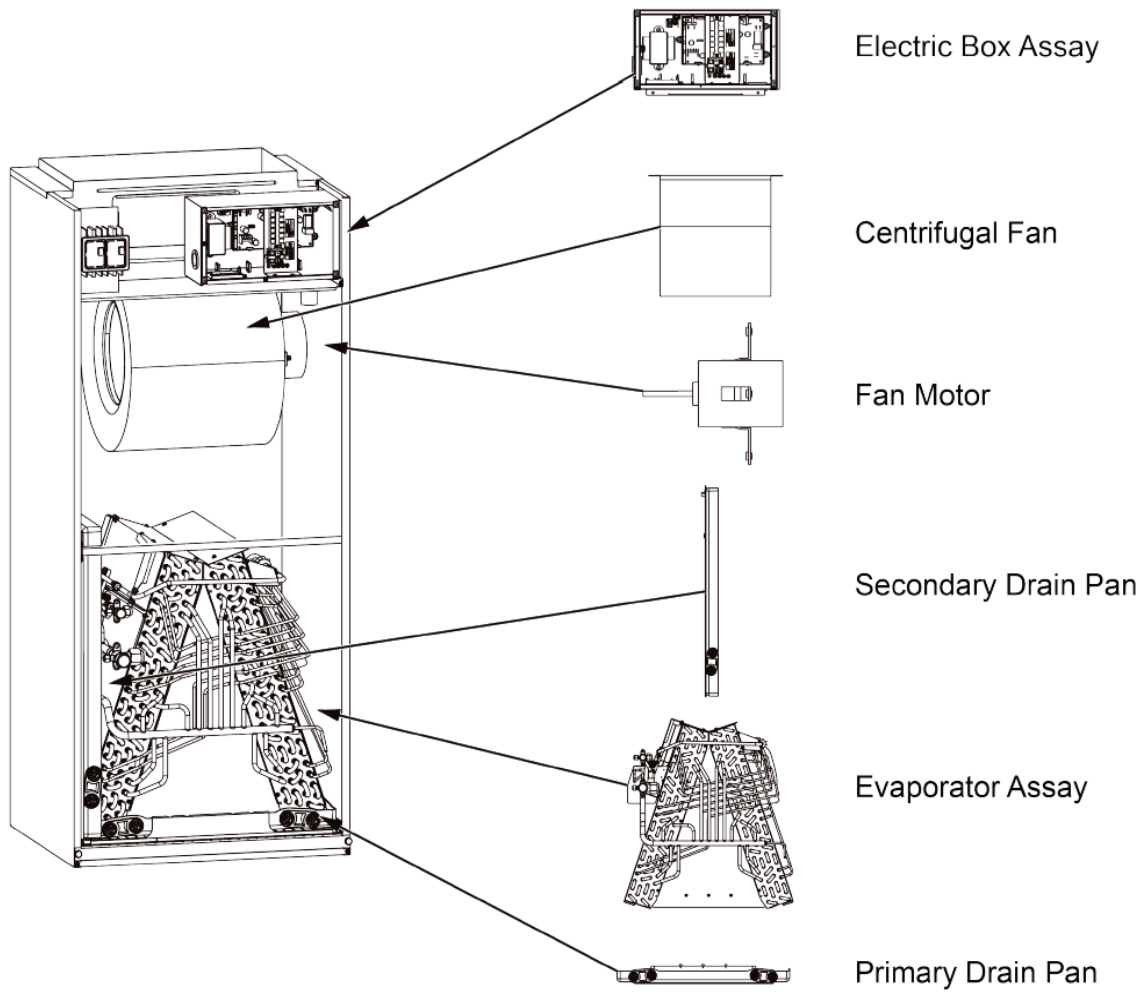
Multi-Position Capabilities



Horizontal Left Configuration - No Modification Needed

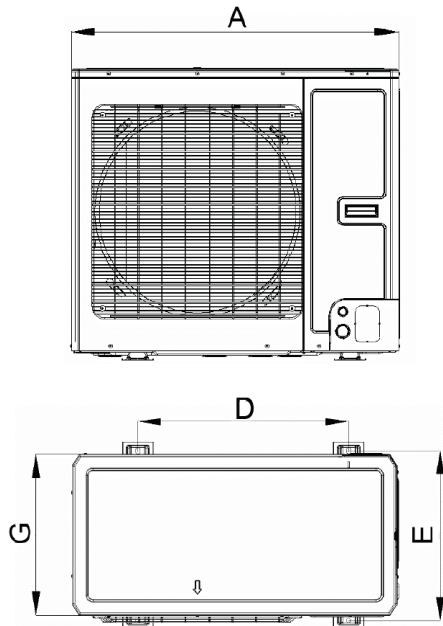


Horizontal Right Configuration - Must Relocate Drain Pan

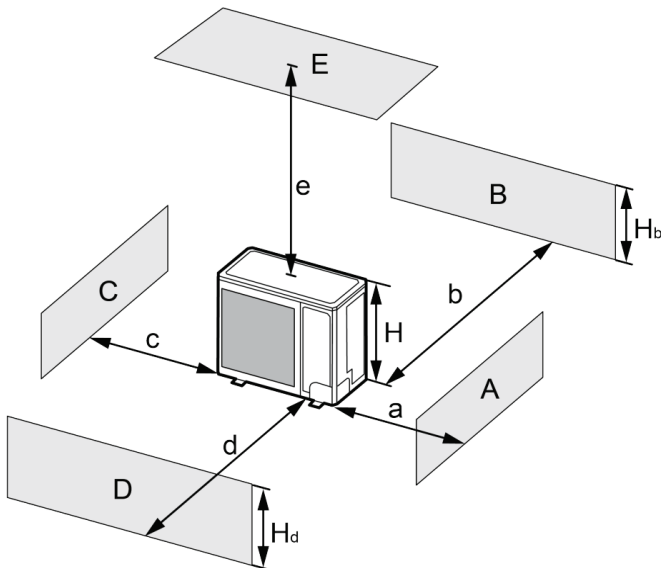


Model	Heat Kit Model	Electric Heat (kW)		Min. Circuit		Max.Fuse or Breaker	
		240V	208V	240V	208V	240V	208V
FLEXX36HP230V1BH	FLEXXHTR5KW	5	3.76	26	22.6	30	25
	FLEXXHTR8KW	8	6	41.7	36	45	40
	FLEXXHTR10KW	10	7.51	52	45	60	45
	21-4227-00	5	3.76	26	22.6	30	25
	21-4216-00	8	6	41.7	36	45	40
	21-4216-01	10	7.51	52	45	60	45





Dimensions	
A	37
B	20 1/8
C	32 1/4
D	24
E	19 1/8
G	18 1/8



A~E	H _b	H _d	H	(in)				
				a	b	c	d	e
B	—	—	—	-	≥ 4	-	-	-
A,B,C,	—	—	—	≥ 12	≥ 4	≥ 4	-	-
B,E	—	—	—	-	≥ 4	-	-	≥ 40
A,B,C,E	—	—	—	≥ 12	≥ 6	≥ 6	-	≥ 40
D	—	—	—	-	-	-	≥ 40	-
D,E	—	—	—	-	-	-	≥ 40	≥ 40
B,D	H _b < H _d	H _d > H	—	-	≥ 4	-	≥ 40	-
	H _b > H _d	H _d < H	—	-	≥ 4	-	≥ 40	-
B,D,E	H _b < H _d	H _b ≤ 1/2H	—	≥ 10	-	≥ 80	≥ 40	
		1/2H < H _b ≤ H	—	≥ 10	-	≥ 80	≥ 40	
		H _b > H	Prohibited					
	H _b > H _d	H _d ≤ 1/2H	—	≥ 4	-	≥ 80	≥ 40	
		1/2H < H _d ≤ H	—	≥ 8	-	≥ 80	≥ 40	
		H _d > H	Prohibited					

Specifications are subject to change without notice. Manufacturer reserves the right to discontinue or modify specifications or designs without notice or without incurring obligations. All Rights reserved.