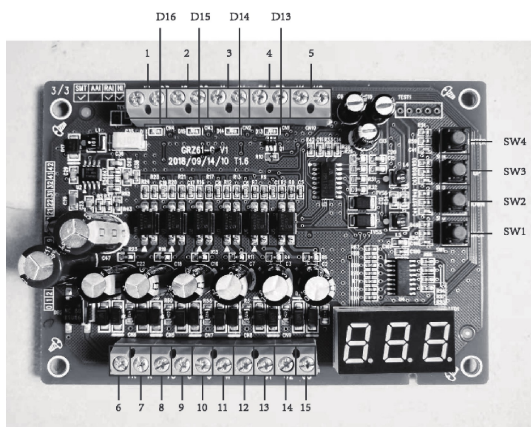


## Dry Contact & 24V Adaptor ME32-33/H

1. Fire alarm and other dry contact signal detection: It can be used to detect fire, external water tray overflow, etc. so as to shut down the air conditioner in time to protect property and people.
2. Convert 24v signal into GMV5 indoor unit 's control signal, so that GMV5 indoor units can be controlled by the third party 24v thermostat (such as Nest).

**Model: ME32-33/H**



Schematic diagram of interface's function

### Function instruction of interface of main board

No.	Interface	Instruction
1	I3, O3	Dry contact 3
2	I2, O2	Dry contact 2
3	I1, O1	Dry contact 1
4	F1, F2	Fire alarm detection
5	H1, H2	HBS communication interface, connecting the indoor unit
6	TR	Supply power for adapter (24VAC)
7	R	Supply power for thermostat (24VAC)
8	TC	Supply power for adapter (Common)
9	C	Supply power for thermostat (Common)
10	G	Fan
11	W	Heating
12	Y	Cooling
13	G1	Low fan speed
14	G2	Medium fan speed
15	G3	High fan speed

### Function instruction for buttons

No.	Buttons name	Button function
SW1	BACK	Return after parameter setting
SW2	DOWN	Decrease parameter setting
SW3	UP	Increase parameter setting
SW4	ENTER	Enter into project parameter setting and confirm parameter setting value

### Status instruction of LED indicator on main board

D13	When there's signal for the detection interface of fire alarm, it's on; when the signal of fire alarm disappears, it's off.
D14	When there's signal for dry contact 1, it's on; when the signal of dry contact disappears, it's off.
D15	When there's signal for dry contact 2, it's on; when the signal of dry contact 2 disappears, it's off.
D16	When there's signal for dry contact 3, it's on; when the signal of dry contact 3 disappears, it's off.

Job Name:

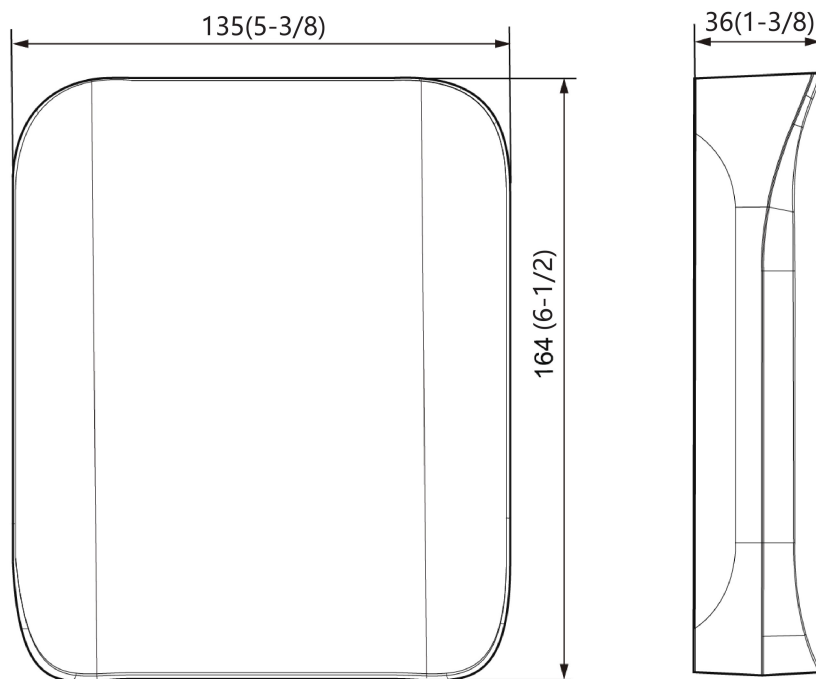
System Reference No.:

Engineer Signature:

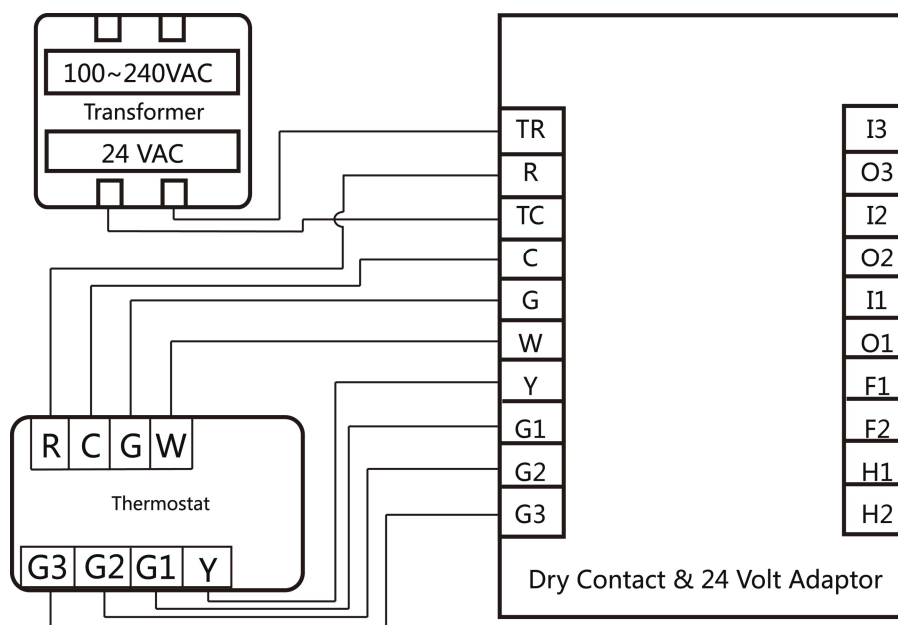
Date:



### Outline and Physical Dimensions of ME32-33/H



unit: mm (in.)



Schematic diagram of wiring between adaptor and thermostat

NOTE: If the thermostat hasn't G1, G2 and G3 (low, medium and high fan speeds) interfaces, it's no need to connect wires for these three interfaces of adaptor.