

RIO

Ductless Mini-Split Heat Pump

9,000– 24,000 BtuH



rio

Technical Product Guide



Compact & Quiet Solution

Table of Contents

| | | |
|-------------|---------------------------------------|-----------|
| 1.0 | PRODUCT OVERVIEW | 3 |
| 2.0 | FEATURES AND BENEFITS | 3 |
| 3.0 | PRODUCT NOMENCLATURE | 6 |
| 4.0 | AHRI CERTIFICATION | 6 |
| 5.0 | SYSTEM FEATURES | 7 |
| 6.0 | USER CONTROL FUNCTIONS | 8 |
| 7.0 | SYSTEM PERFORMANCE | 9 |
| 8.0 | SOUND DATA | 12 |
| 9.0 | ELECTRICAL DATA | 13 |
| 10.0 | MAJOR COMPONENTS & WEIGHTS | 14 |
| 11.0 | DIMENSIONAL SPECIFICATIONS | 15 |
| 12.0 | CLEARANCE SPECIFICATIONS | 21 |
| 13.0 | EXTENDED PERFORMANCE RATINGS | 22 |
| 14.0 | ELECTRICAL WIRING | 28 |
| 15.0 | CONDENSATE REMOVAL | 29 |
| 16.0 | PRODUCT LIMITED WARRANTY | 30 |

PRODUCT OVERVIEW

Compact, quiet and provides unmatched comfort in any room.

The Gree Rio High-Efficiency Duct-free Mini-Split Heat Pump system is compact, quiet & provides unmatched comfort in any room. This system includes an indoor cabinet, outdoor compressor, wireless remote and remote cradle. Without needing duct work, installation is simple, fast & cost effective. In addition The Gree Rio provides quiet comfort & improved efficiency by eliminating heat loss inefficiencies of conventional central air conditioning systems.

FEATURES AND BENEFITS

HIGH EFFICIENCY G-10 INVERTER - The G10 Inverter uses a broad range of variable frequencies to drive the compressor, marking the highest level of inverter control technology available today. Unlike conventional technology that generally regulates room temperature by running at maximum capacity and then shutting off completely, G10 Inverter technology eliminates these harsh starts/stops. This cutting edge functionality results in quicker arrival at desired temperatures and superior maintenance of consistent comfort levels. Higher efficiency and significant energy savings? Yes, it yields those too.



HEAT PUMP ADVANTAGE – Gree heat pumps, powered by the G10 Inverter, provide the same heating capacity as electric heat, while using as little as 1/3 the electricity.

WHISPER QUIET - Not only is the Rio systems energy efficient, it's quiet too. Wall mounted units operate with sound levels starting as low as 32 dB(A).

INTELLIGENT DEFROST - The Intelligent Defrost function increases room comfort and saves energy by eliminating unnecessary defrost cycles. In heating mode, the control system monitors the outdoor coil for frost buildup, and the system switches to defrost mode only when frost buildup is actually detected. This avoids unnecessary and wasteful defrosts.

LOW VOLTAGE START UP – Having stable electrical power is not always an option. The Gree system will operate from 170v to 253v (230v model) and 104v to 127v (115v models) which is suitable for unstable power supply areas.

SUBTLE APPEARANCE -Designed for a comfortable fit in virtually any living space. This slim compact cabinet sits inconspicuously on the wall, and blends into most interior designs

FEATURES AND BENEFITS (Cont.)

UNIT DISPLAY – Rio wall mounted units have a large easy-to-read display and indicator lights giving instead feedback on room setpoint, operating mode and much more. The display can also be turned off based on your personal preference.

MULTI-SPEED FAN – The indoor fan can run at up to four different speeds (*Low, Medium, High or Turbo*) for either COOLING or HEATING mode for maximum comfort and quiet operation.

TIME GUARD - Among the system's many safeties is a Time Guard function to prevent rapid cycling of the compressor. A protective five-minute time delay restricts compressor restarts after shutoff.

POWER FAILURE MODE - Power interruptions are no problem. User selections and system parameters are stored in non-volatile memory. These parameters are retained during a power failure. When power is returned, the system will automatically return to the last operating mode.

INTELLIGENT PRE-HEATING - The system guards against the annoying COLD BLOW in heating mode, and constantly monitors the discharge air temperature. It will delay the indoor fan until the indoor coil has warmed up to prevent blowing uncomfortable cool air into the room.

WIRELESS IR REMOTE CONTROLLER - The Gree multi-functional infrared hand held wireless controller is sleek, ergonomically designed, easy to use and has a large backlit LCD display.

MODE BUTTON - The units can be set to five different operating modes: *HEAT, COOL, DRY, FAN ONLY and AUTO*.

Note: AUTO MODE has fixed setpoints of 68° F heating and 78° F cooling, which are not changeable. The system will automatically select heating or cooling to maintain room temperature within this temperature band.

TIMER MODE – The unit can be programmed to turned ON or OFF after a specific amount time. The time period is adjustable between one half and 24 hours.

SWING LOUVER – The unit has adjustable swing louvers which can be controlled from the wired tether or wireless controllers. Vertical swing louver allows five different vertical (up & down) air discharge directions including Continuous Sweep. Maximize comfort by adjusting the direction of airflow in the room by moving the louvers up or down.

PRIVACY LOCK MODE – Both wired tether and wireless controllers have a Privacy Lock to avert unauthorized access and stop tampering with system settings.

SLEEP MODE –The unit will automatically adjust room temperature during sleep time. This slight change in temperature will not affect your comfort level due to the natural effects that sleeping has on the body, but it will save on energy consumption and will lower electric bills.

FEATURES AND BENEFITS (Cont.)

FAHRENHEIT ° F / CELSIUS ° C - The wired tether and wireless controllers can be set to display in either °F or °C.

POLYMERIC AIR FILTERS –Two-piece removable polymeric air filters easily slide in and out from the front of the indoor unit and are interchangeable. The front panel does not need to be removed to access or change the filters. The filters are washable and permanent.

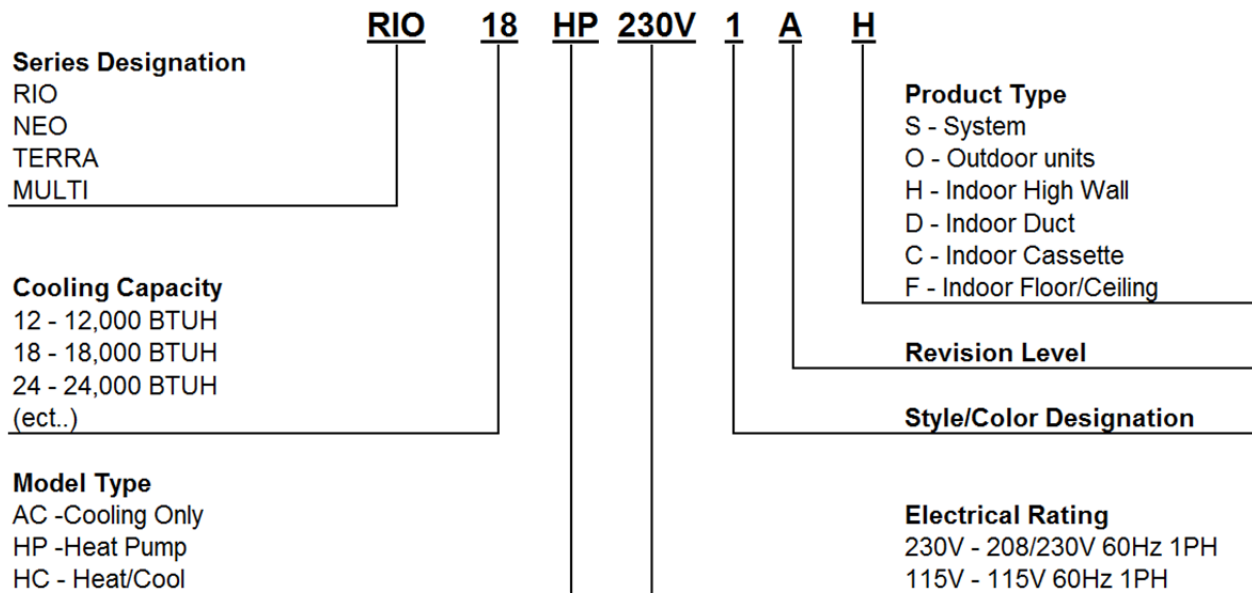
SELF-DIAGNOSIS –With an on-board computer using real-time diagnostics, the Gree system helps to prolong its own life. The automatic diagnosis feature continuously scans for unacceptable operating conditions or malfunctions. If such conditions occur, the system takes corrective action or stops. Fault codes are shown on the unit display to facilitate easy troubleshooting and repair.

AGENCY LISTINGS - All systems are listed with AHRI (Air conditioning, Heating, and Refrigeration Institute) and are ETL Certified per UL Standards.



5/7 YEAR LIMITED WARRANTY - Enjoy one of the most comprehensive warranties in the industry. Seven (7) years on compressor and Five (5) years on all parts.

NOMENCLATURE



AHRI CERTIFICATION

| MODEL NUMBER | BRAND | AHRI CERTIFICATION |
|---------------|-------|--------------------|
| RIO09HP115V1A | GREE | 7077793 |
| RIO12HP115V1A | GREE | 7084752 |
| RIO09HP230V1B | GREE | 7077585 |
| RIO12HP230V1B | GREE | 7077586 |
| RIO18HP230V1B | GREE | 8236251 |
| RIO24HP230V1A | GREE | 7077588 |



SYSTEM FEATURES

| Model | RI009HP115V1A | RI012HP115V1A | RI009HP230V1B | RI012HP230V1B | RI018HP230V1B | RI024HP230V1A |
|----------------------------------|---------------|---------------|---------------|---------------|---------------|---------------|
| Nominal Cooling Capacity (Btu/H) | 9,000 | 12,000 | 9,000 | 12,000 | 18,000 | 24,000 |
| Operating Voltage | 115V | 115V | 208/230V | 208/230V | 208/230V | 208/230V |
| System Type | Heat Pump | Heat Pump | Heat Pump | Heat Pump | Heat Pump | Heat Pump |
| SYSTEM FEATURES | | | | | | |
| Auxiliary Electrical Heater | NO | NO | NO | NO | NO | NO |
| Basepan With Electric Heater | NO | NO | NO | NO | NO | NO |
| Compressor With Electric Heater | NO | NO | YES | YES | NO | NO |
| Corrosion Protection | Blue Fin | Blue Fin | Blue Fin | Blue Fin | Blue Fin | Blue Fin |
| Inverter Type | G10 | G10 | G10 | G10 | G10 | G10 |
| Intelligent Defrosting | YES | YES | YES | YES | YES | YES |
| Intelligent Preheating | YES | YES | YES | YES | YES | YES |
| LED Display Indoor Unit | YES | YES | YES | YES | YES | YES |
| Low Ambient Cooling | NO | NO | YES | YES | YES | YES |
| Low Ambient Heating | YES | YES | YES | YES | YES | NO |
| Low Voltage Startup | YES | YES | YES | YES | YES | YES |
| Memory/Power Failure Recovery | YES | YES | YES | YES | YES | YES |
| Multi Fan Speeds | 4 Speeds | 4 Speeds | 4 Speeds | 4 Speeds | 4 Speeds | 4 Speeds |
| Self-Diagnosis | YES | YES | YES | YES | YES | YES |
| PhotoCatalytic Filter | NO | NO | NO | NO | NO | NO |
| Ventilation (Outdoor Air) | NO | NO | NO | NO | NO | NO |
| Ambient Cooling Operating Range | 64~113 F | 64~113 F | 5~109 F | 5~109 F | 5~109 F | 5~109 F |
| Ambient Heating Operating Range | 5°F~75°F | 5°F~75°F | 5°F~75°F | 5°F~75°F | 5°F~75°F | 19~75 F |

USER CONTROL FUNCTIONS

| Model | RI009HP115V1A | RI012HP115V1A | RI009HP230V1B | RI012HP230V1B | RI018HP230V1B | RI024HP230V1A |
|------------------------------------|---------------|---------------|---------------|---------------|---------------|---------------|
| Nominal Cooling Capacity (Btu/H) | 9,000 | 12,000 | 9,000 | 12,000 | 18,000 | 24,000 |
| Operating Voltage | 115V | 115V | 208/230V | 208/230V | 208/230V | 208/230V |
| REMOTE CONTROLLER FUNCTIONS | | | | | | |
| Auto Mode | YES | YES | YES | YES | YES | YES |
| Auto Fan | NO | NO | NO | NO | NO | NO |
| Auto Swing (Horizontal Auto Swing) | NO | NO | NO | NO | NO | NO |
| Auto Swing (Vertical Auto Swing) | YES | YES | YES | YES | YES | YES |
| Clock on Remote Controller | NO | NO | NO | NO | NO | NO |
| Dry Mode | YES | YES | YES | YES | YES | YES |
| Dry Anti-Mildew (X-Fan) Mode | YES | YES | YES | YES | YES | YES |
| Energy Saving Mode | NO | NO | NO | NO | NO | NO |
| Dirty Filter Alert | NO | NO | NO | NO | NO | NO |
| I Feel Function | NO | NO | NO | NO | NO | NO |
| Wired Controller Interface | NO | NO | NO | NO | NO | NO |
| Lock on Remote Controller | YES | YES | YES | YES | YES | YES |
| Room Temperature Display | YES | YES | YES | YES | YES | YES |
| Sleep Mode | YES | YES | YES | YES | YES | YES |
| Multi Sleep Modes Options | NO | NO | NO | NO | NO | NO |
| Timer Mode | YES | YES | YES | YES | YES | YES |
| Turbo Mode | YES | YES | YES | YES | YES | YES |

SYSTEM PERFORMANCE

| Model Numbers | SEER | EER | Cooling Capacity | | Dehumidification (Pts./Hr.) | Outdoor Temperature Operating Range | |
|---------------|------|------|------------------|----------------|--------------------------------|-------------------------------------|--------|
| | | | Rated (BtuH) | Range (BtuH) | | Min | Max |
| RIO09HP115V1A | 16 | 12.0 | 9,000 | (3,500-11,000) | 1.7 | 64 °F | 113 °F |
| RIO12HP115V1A | 16 | 9.4 | 11,800 | (3,300-12,500) | 2.9 | 64 °F | 113 °F |
| RIO09HP230V1B | 16 | 10.2 | 9,000 | (3,800-11,500) | 1.7 | 5 °F | 109 °F |
| RIO12HP230V1B | 16 | 9.8 | 12,000 | (3,300-12,500) | 2.9 | 5 °F | 109 °F |
| RIO18HP230V1B | 16 | 11.1 | 18,000 | (4,500-21,000) | 3.8 | 5 °F | 109 °F |
| RIO24HP230V1A | 16 | 10.0 | 22,000 | (6,400-24,000) | 4.2 | 5 °F | 109 °F |

| Model Numbers | HSPF | COP | Heating Capacity | | Outdoor Temperature Operating Range | |
|---------------|------|-----|------------------|----------------|-------------------------------------|-------|
| | | | Rated (BtuH) | Range (BtuH) | Min | Max |
| RIO09HP115V1A | 8.6 | 3.5 | 9,800 | (2,500-11,000) | 5 °F | 75 °F |
| RIO12HP115V1A | 8.6 | 2.9 | 13,000 | (3,400-13,500) | 5 °F | 75 °F |
| RIO09HP230V1B | 8.5 | 3.4 | 9,000 | (3,300-11,500) | 5 °F | 75 °F |
| RIO12HP230V1B | 8.5 | 3.4 | 12,000 | (3,400-12,500) | 5 °F | 75 °F |
| RIO18HP230V1B | 8.0 | 2.8 | 19,200 | (4,000-23,000) | 5 °F | 75 °F |
| RIO24HP230V1A | 8.5 | 3.0 | 24,200 | (4,100-26,600) | 19 °F | 75 °F |

NOTES:

1. Ratings are based on: Cooling Standard: 80 F (26.7 C) db, 67 F (19.4 C) wb air entering indoor unit and 95 F (35 C) db air entering outdoor unit. Heating Standard: 70 F (21.1 C) db air entering indoor unit and 47 F (8.3 C) db, 43 F (6.1 C) wb air entering outdoor unit.
2. Ratings are based on 25 ft. (7.62 m) of interconnecting refrigerant lines.
3. All system ratings are based on fan coil units operating at high fan speed. Consult Physical Data tables for air flows at selected fan speeds.

Legend

EER - Energy Efficiency Ratio
HSPF - Heating Seasonal Performance Ratio
SEER - Seasonal Energy Efficiency Ratio
COP - Coefficient of Performance

AIR FLOW PERFORMANCE

Indoor Unit

| Model Numbers | Cooling (CFM) | | | | Heating (CFM) | | | |
|-----------------------|---------------|------------|----------|-----------|---------------|------------|----------|-----------|
| | Low Fan | Medium Fan | High Fan | Turbo Fan | Low Fan | Medium Fan | High Fan | Turbo Fan |
| RIO09HP115V1AH | 188 | 223 | 276 | 329 | 188 | 223 | 276 | 329 |
| RIO12HP115V1AH | 200 | 235 | 288 | 341 | 200 | 235 | 288 | 341 |
| RIO09HP230V1BH | 141 | 194 | 282 | 330 | 141 | 194 | 282 | 330 |
| RIO12HP230V1BH | 153 | 206 | 294 | 341 | 153 | 206 | 294 | 341 |
| RIO18HP230V1BH | 271 | 330 | 400 | 471 | 271 | 330 | 400 | 471 |
| RIO24HP230V1AH | 206 | 306 | 441 | 589 | 206 | 306 | 441 | 589 |

Outdoor Unit

| Model Numbers | Air Flow (CFM) |
|-----------------------|----------------|
| RIO09HP115V1AO | 1057 |
| RIO12HP115V1AO | 1057 |
| RIO09HP230V1BO | 942 |
| RIO12HP230V1BO | 942 |
| RIO18HP230V1BO | 1882 |
| RIO24HP230V1AO | 1883 |

Indoor Air Throw

| Model Numbers | Approximate Air Throw (ft.) | | | |
|-----------------------|-----------------------------|--------|------|-------|
| | Low | Medium | High | Turbo |
| RIO09HP115V1AH | NA | NA | 26 | 33 |
| RIO12HP115V1AH | NA | NA | 26 | 33 |
| RIO09HP230V1BH | NA | NA | 26 | 33 |
| RIO12HP230V1BH | NA | NA | 26 | 33 |
| RIO18HP230V1BH | NA | NA | 21 | 24 |
| RIO24HP230V1AH | NA | NA | 21 | 31 |

REFRIGERATION & PIPING SPECIFICATIONS

REFRIGERANT CHARGE

| Model Number | Refrigerant Type | Factory System Charge (oz.) | Max Total Pipe Length Without Adding Refrigerant (ft.) | Additional Charge Level (oz./ft.) |
|-----------------------|------------------|-----------------------------|--|-----------------------------------|
| RIO09HP115V1AO | R-410A | 37.5 | 25 | 0.2 |
| RIO12HP115V1AO | R-410A | 41.1 | 25 | 0.2 |
| RIO09HP230V1BO | R-410A | 26.1 | 25 | 0.2 |
| RIO12HP230V1BO | R-410A | 35.3 | 25 | 0.2 |
| RIO18HP230V1BO | R-410A | 45.9 | 25 | 0.2 |
| RIO24HP230V1AO | R-410A | 54.7 | 25 | 0.2 |

REFRIGERANT PIPING LENGTHS

| Model Number | Min. Pipe Length for System (ft.) | Max Pipe Length for System (ft.) | Max Elevation between Outdoor & Indoor Units (ft.) |
|-----------------------|-----------------------------------|----------------------------------|--|
| RIO09HP115V1AO | 10 | 66 | 33 |
| RIO12HP115V1AO | 10 | 66 | 33 |
| RIO09HP230V1BO | 10 | 66 | 33 |
| RIO12HP230V1BO | 10 | 66 | 33 |
| RIO18HP230V1BO | 10 | 82 | 33 |
| RIO24HP230V1AO | 10 | 82 | 33 |



SOUND DATA

Indoor High Wall Units

| Model Numbers | Low Fan | | Medium Fan | | High Fan | | Turbo Fan | |
|-----------------------|-------------------|----------------------|-------------------|----------------------|-------------------|----------------------|-------------------|----------------------|
| | Sound Power (dBA) | Sound Pressure (dBA) | Sound Power (dBA) | Sound Pressure (dBA) | Sound Power (dBA) | Sound Pressure (dBA) | Sound Power (dBA) | Sound Pressure (dBA) |
| RIO09HP115V1AH | 42 | 32 | 45 | 35 | 47 | 37 | 50 | 40 |
| RIO12HP115V1AH | 42 | 32 | 45 | 35 | 47 | 37 | 50 | 40 |
| RIO09HP230V1BH | 36 | 26 | 42 | 32 | 48 | 38 | 53 | 43 |
| RIO12HP230V1BH | 38 | 28 | 43 | 33 | 49 | 39 | 54 | 44 |
| RIO18HP230V1BH | 44 | 34 | 48 | 38 | 53 | 43 | 58 | 48 |
| RIO24HP230V1AH | 44 | 34 | 49 | 39 | 53 | 43 | 59 | 49 |

Outdoor Unit

| Model Numbers | Sound Power (dBA) | Sound Pressure (dBA) |
|-----------------------|-------------------|----------------------|
| RIO09HP115V1AO | 63 | 53 |
| RIO12HP115V1AO | 65 | 55 |
| RIO09HP230V1BO | 59 | 49 |
| RIO12HP230V1BO | 62 | 52 |
| RIO18HP230V1BO | 66 | 56 |
| RIO24HP230V1AO | 63 | 53 |

Note:

1. Sound pressure ratings are estimated sound pressure measurements, 3 feet from unit.
2. Sound power ratings are per AHRI 270 and AHRI 350

ELECTRICAL DATA

Outdoor Unit

| Model Numbers | Rated Power Supply (volt-phase-hz) | Voltage Range (volts) | Rated Input Power (watts) | |
|-----------------------|---------------------------------------|--------------------------|---------------------------|---------|
| | | | Cooling | Heating |
| RIO09HP115V1AO | 115v-1ph-60hz | 104-127 | 750 | 830 |
| RIO12HP115V1AO | 115v-1ph-60hz | 104-127 | 1260 | 1320 |
| RIO09HP230V1BO | 208/230v-1ph-60hz | 187-253 | 880 | 770 |
| RIO12HP230V1BO | 208/230v-1ph-60hz | 187-253 | 1620 | 1050 |
| RIO18HP230V1BO | 208/230v-1ph-60hz | 187-253 | 1620 | 2400 |
| RIO24HP230V1AO | 208/230v-1ph-60hz | 187-253 | 2200 | 2800 |

Outdoor Unit

| Model Numbers | Rated Input Current (amps) | | Min. Circuit Amp. (MCA) | Max Fuse Size (Amps) |
|-----------------------|----------------------------|---------|----------------------------|-------------------------|
| | Cooling | Heating | | |
| RIO09HP115V1AO | 9.0 | 9.5 | 13 | 20 |
| RIO12HP115V1AO | 15.0 | 15.5 | 15 | 25 |
| RIO09HP230V1BO | 3.9 | 3.4 | 10 | 15 |
| RIO12HP230V1BO | 5.4 | 4.7 | 10 | 15 |
| RIO18HP230V1BO | 7.9 | 11.8 | 15 | 25 |
| RIO24HP230V1AO | 11.5 | 13.0 | 17 | 25 |

| Model Numbers | Compressor | | Outdoor Fan | | Indoor Fan | |
|-----------------------|---------------|---------------|---------------|------------------------|---------------|------------------------|
| | RLA (amps) | LRA (amps) | RLA (amps) | Input Power (Watts) | RLA (amps) | Input Power (Watts) |
| RIO09HP115V1AO | 9.8 | 25.0 | 0.2 | 30 | 0.4 | 10 |
| RIO12HP115V1AO | 11.2 | 25.0 | 0.3 | 30 | 0.4 | 10 |
| RIO09HP230V1BO | 7.3 | 16.5 | 0.3 | 21 | 0.2 | 15 |
| RIO12HP230V1BO | 7.3 | 16.5 | 0.3 | 21 | 0.2 | 15 |
| RIO18HP230V1BO | 10.9 | 27.0 | 0.6 | 60 | 0.3 | 20 |
| RIO24HP230V1AO | 12.4 | 41.0 | 0.6 | 60 | 0.4 | 35 |

Legend:

RLA – Rated Load Amps
FLA – Full Load Amps
LRA – Locked Rotor Amps
MCA – Min. Circuit Amps

INDOOR UNIT MAJOR COMPONENTS

| Model Numbers | Air Filter | Fan Motor | Fan Type |
|-----------------------|----------------|-----------|------------|
| RIO09HP115V1AH | Polymeric Mesh | AC Sync | Cross flow |
| RIO12HP115V1AH | Polymeric Mesh | AC Sync | Cross flow |
| RIO09HP230V1BH | Polymeric Mesh | AC Sync | Cross flow |
| RIO12HP230V1BH | Polymeric Mesh | AC Sync | Cross flow |
| RIO18HP230V1BH | Polymeric Mesh | AC Sync | Cross flow |
| RIO24HP230V1AH | Polymeric Mesh | AC Sync | Cross flow |

OUTDOOR UNIT MAJOR COMPONENTS

| Model Numbers | Compressor | Metering Device | Inverter |
|-----------------------|------------|-----------------|----------|
| RIO09HP115VA1O | Rotary | EXV | G10 |
| RIO12HP115VA1O | Rotary | EXV | G10 |
| RIO09HP230VA1O | Rotary | EXV | G10 |
| RIO12HP230VA1O | Rotary | EXV | G10 |
| RIO18HP230VA1O | Rotary | EXV | G10 |
| RIO24HP230VA1O | Rotary | EXV | G10 |

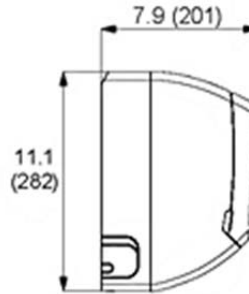
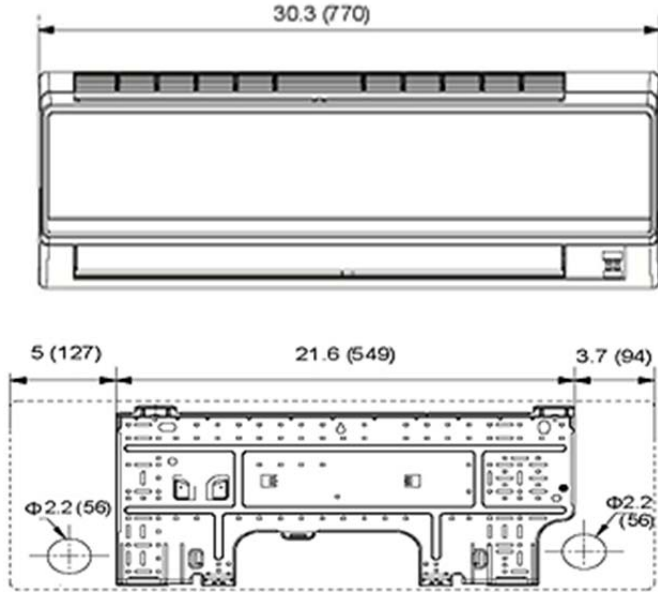
PRODUCT WEIGHT

| Model Numbers | Outdoor Unit | | Indoor Unit | |
|----------------------|----------------------|-----------------------|----------------------|-----------------------|
| | Net Operating (lbs.) | Gross Shipping (lbs.) | Net Operating (lbs.) | Gross Shipping (lbs.) |
| RIO09HP115V1A | 75 | 84 | 19 | 26 |
| RIO12HP115V1A | 75 | 84 | 19 | 26 |
| RIO09HP230V1B | 64 | 73 | 19 | 25 |
| RIO12HP230V1B | 68 | 77 | 20 | 27 |
| RIO18HP230V1B | 106 | 117 | 27 | 35 |
| RIO24HP230V1A | 115 | 126 | 33 | 44 |

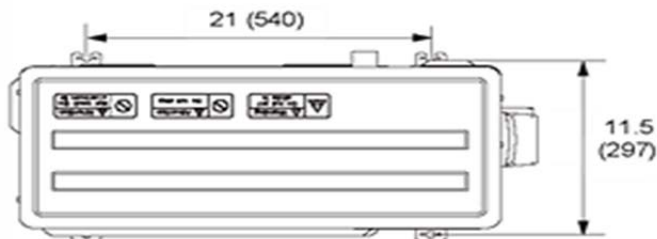
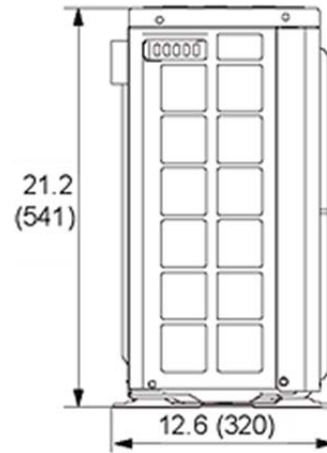
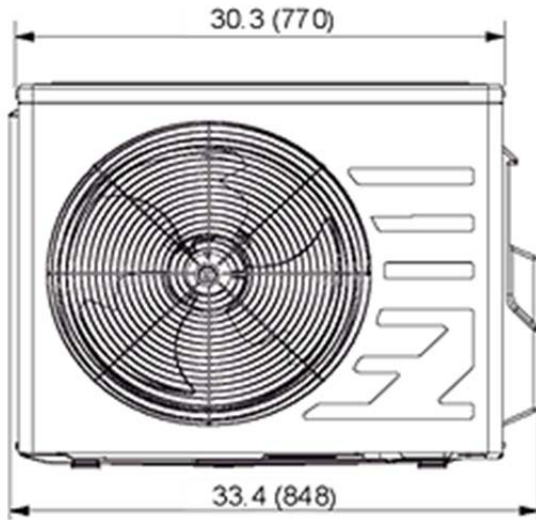
DIMENSIONAL SPECIFICATIONS

Model No: RIO09HP115V1A

9,000 BtuH 115V



| | |
|-------------------|------------------|
| Liquid Line Valve | 1/4-in OD Flared |
| Gas Line Valve | 3/8-in OD Flared |
| Drain Connector | 5/8-in OD |

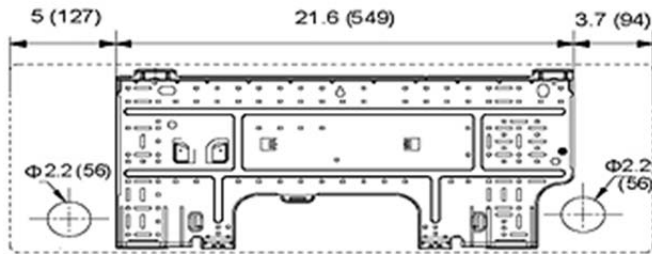
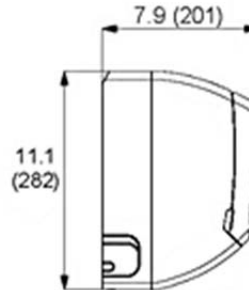
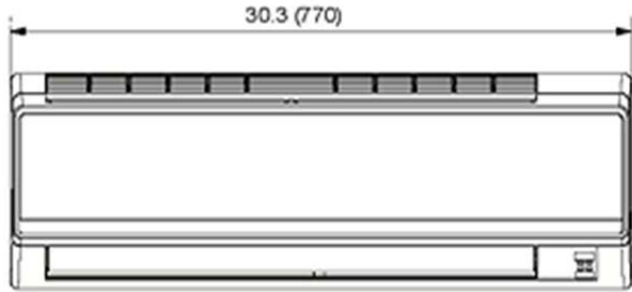


| | |
|-------------------|------------------|
| Liquid Line Valve | 1/4-in OD Flared |
| Gas Line Valve | 3/8-in OD Flared |

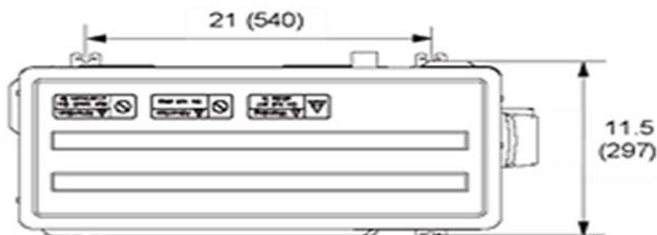
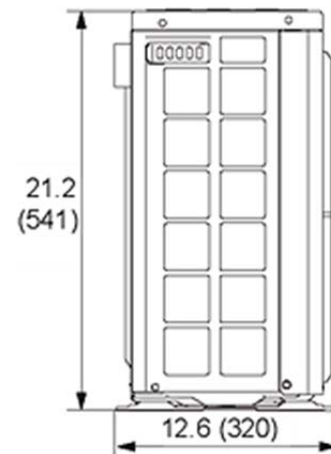
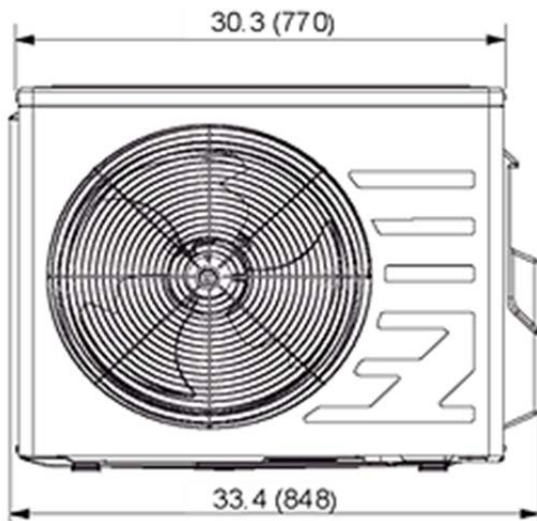
DIMENSIONAL SPECIFICATIONS

Model No: RIO12HP115V1A

12,000 BtuH 115V



| | |
|-------------------|------------------|
| Liquid Line Valve | 1/4-in OD Flared |
| Gas Line Valve | 3/8-in OD Flared |
| Drain Connector | 5/8-in OD |

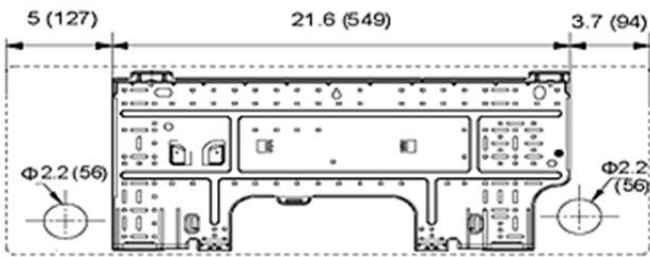
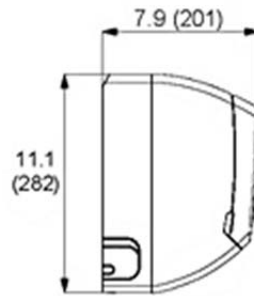
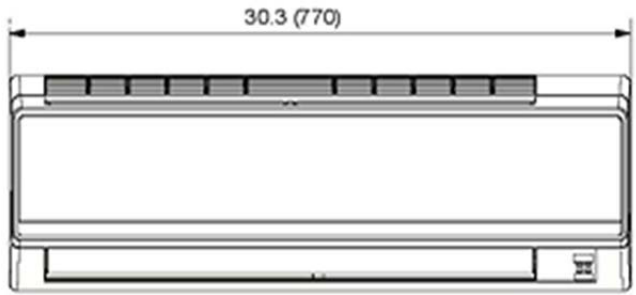


| | |
|-------------------|------------------|
| Liquid Line Valve | 1/4-in OD Flared |
| Gas Line Valve | 3/8-in OD Flared |

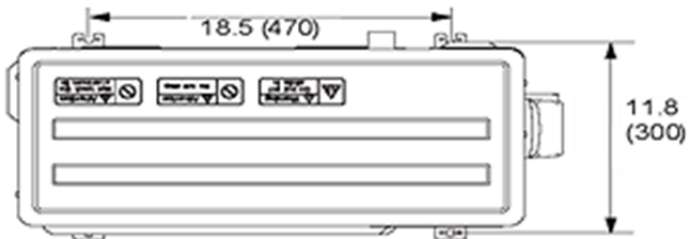
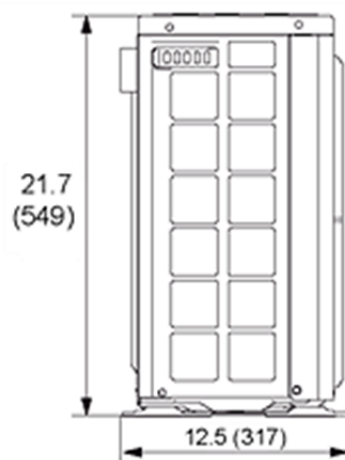
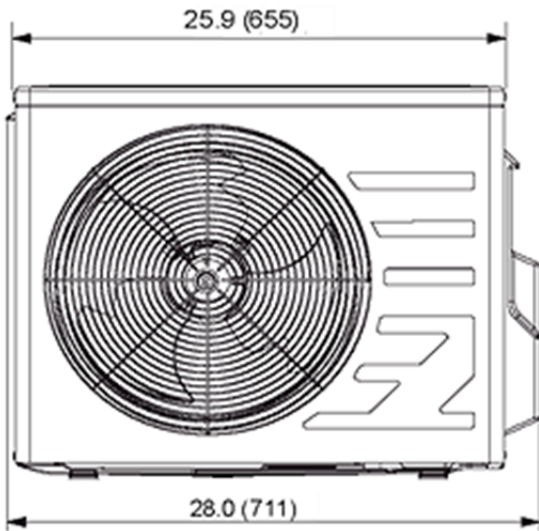
DIMENSIONAL SPECIFICATIONS

Model No: RIO09HP230V1B

9,000 BtuH 230V



| | |
|-------------------|------------------|
| Liquid Line Valve | 1/4-in OD Flared |
| Gas Line Valve | 3/8-in OD Flared |
| Drain Connector | 5/8-in OD |

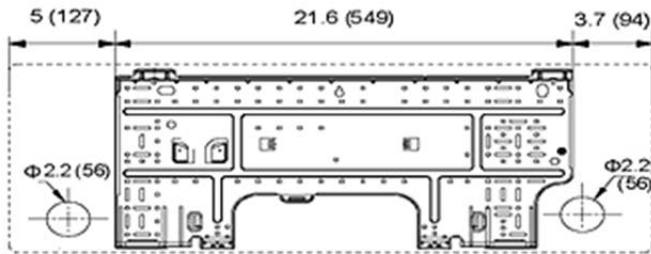
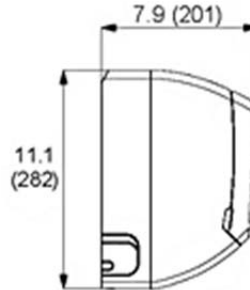
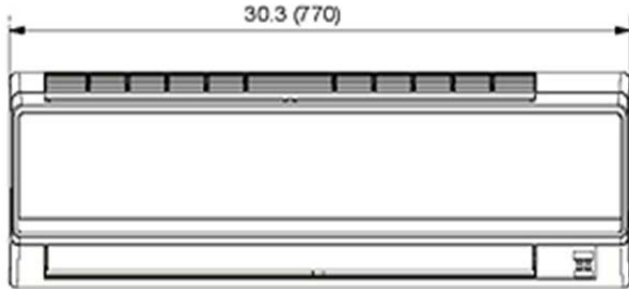


| | |
|-------------------|------------------|
| Liquid Line Valve | 1/4-in OD Flared |
| Gas Line Valve | 3/8-in OD Flared |

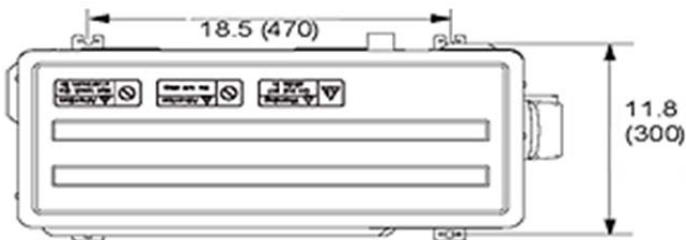
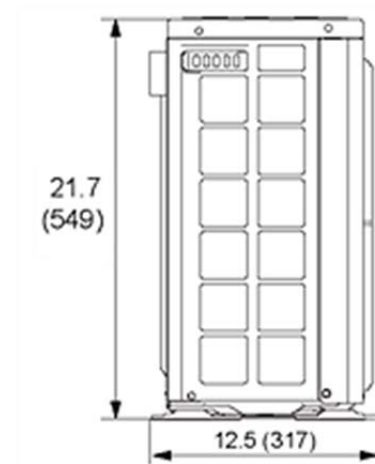
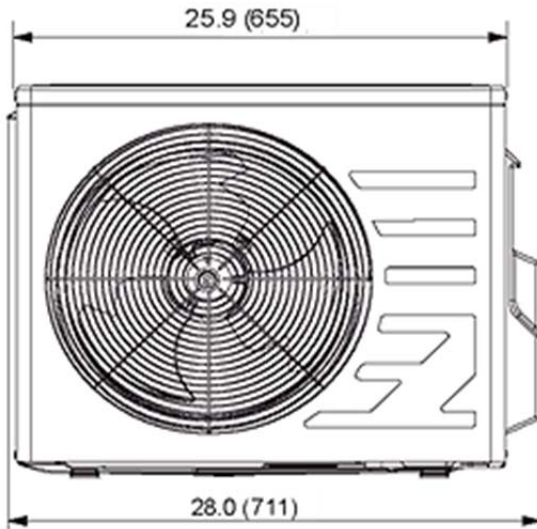
DIMENSIONAL SPECIFICATIONS

Model No: RIO12HP230V1B

12,000 BtuH 230V



| | |
|-------------------|------------------|
| Liquid Line Valve | 1/4-in OD Flared |
| Gas Line Valve | 3/8-in OD Flared |
| Drain Connector | 5/8-in OD |

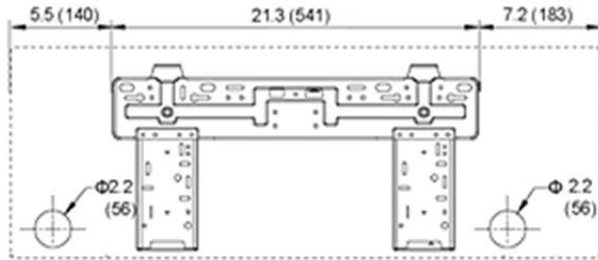
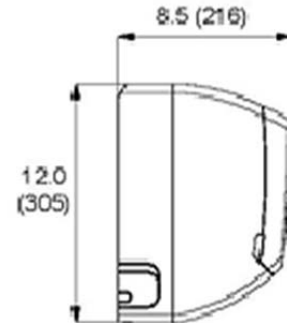
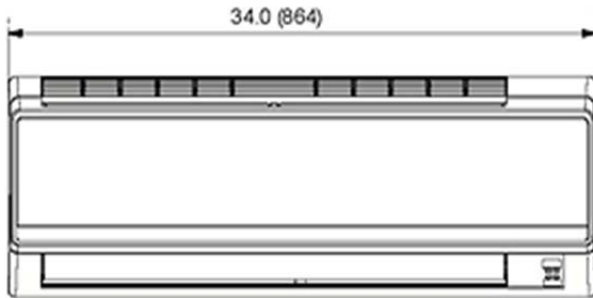


| | |
|-------------------|------------------|
| Liquid Line Valve | 1/4-in OD Flared |
| Gas Line Valve | 3/8-in OD Flared |

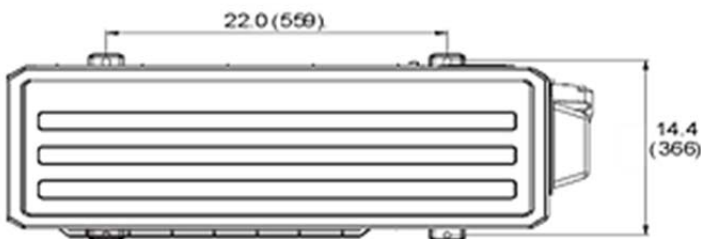
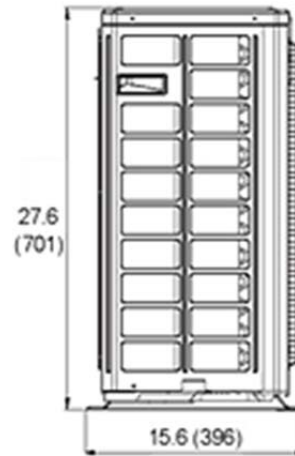
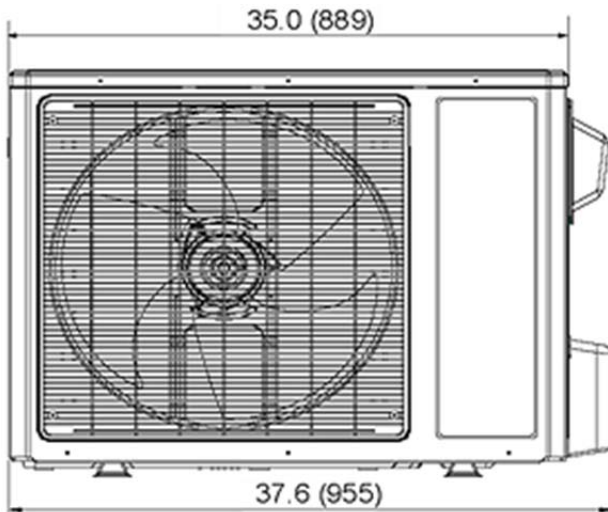
DIMENSIONAL SPECIFICATIONS

Model No: RIO18HP230V1B

18,000 BtuH 230V



| | |
|-------------------|------------------|
| Liquid Line Valve | 1/4-in OD Flared |
| Gas Line Valve | 1/2-in OD Flared |
| Drain Connector | 5/8-in OD |

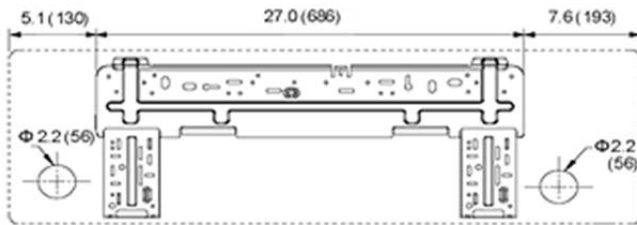
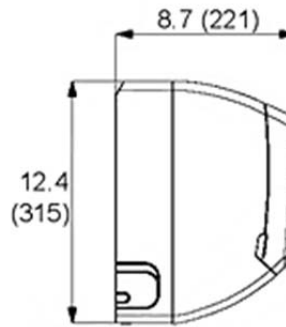
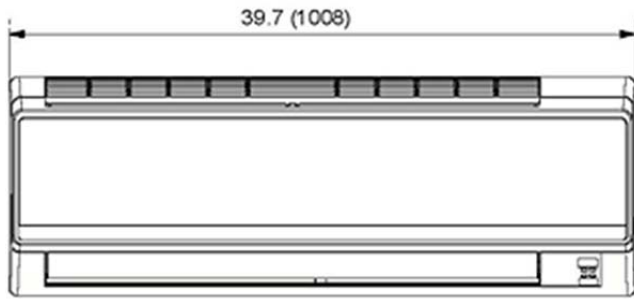


| | |
|-------------------|------------------|
| Liquid Line Valve | 1/4-in OD Flared |
| Gas Line Valve | 1/2-in OD Flared |

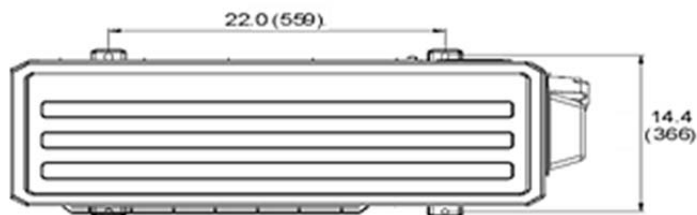
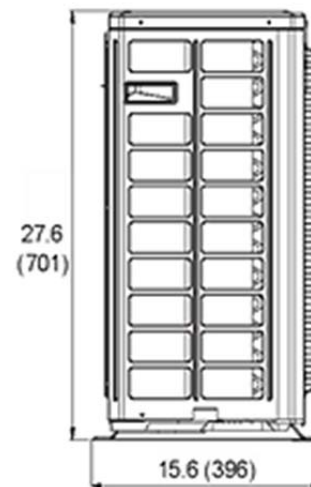
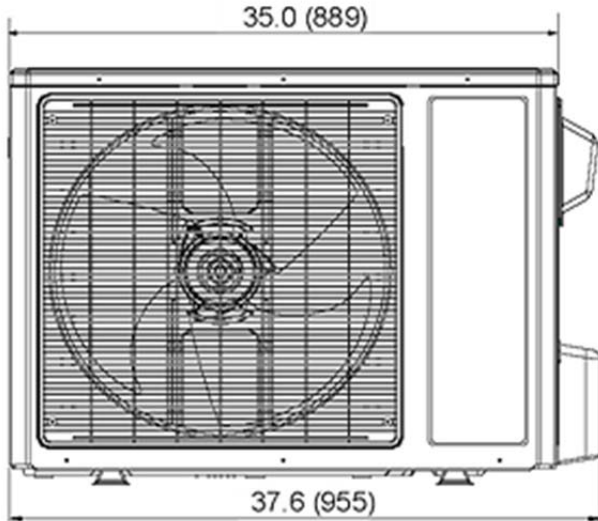
DIMENSIONAL SPECIFICATIONS

Model No: RIO24HP230V1A

24,000 BtuH 230V



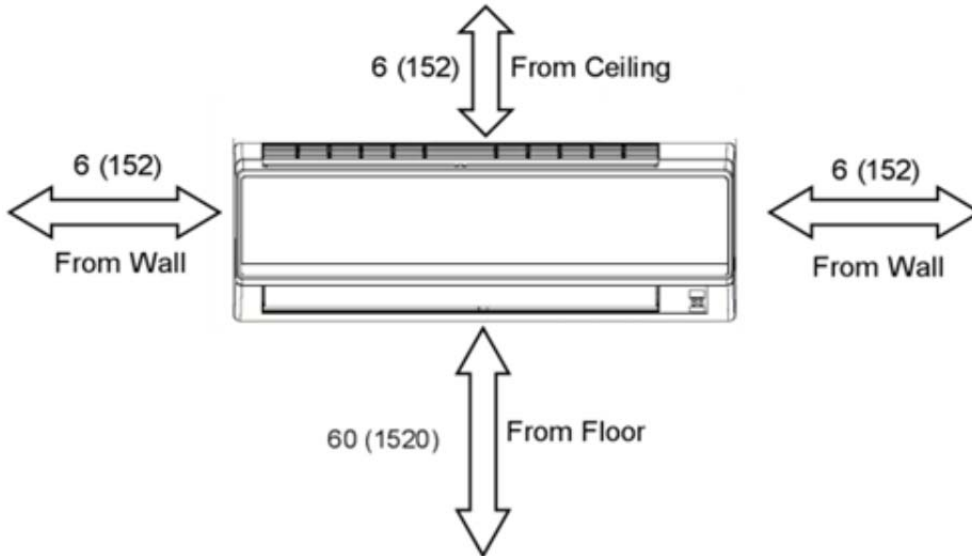
| | |
|-------------------|------------------|
| Liquid Line Valve | 1/4-in OD Flared |
| Gas Line Valve | 1/2-in OD Flared |
| Drain Connector | 5/8-in OD |



| | |
|-------------------|------------------|
| Liquid Line Valve | 1/4-in OD Flared |
| Gas Line Valve | 1/2-in OD Flared |

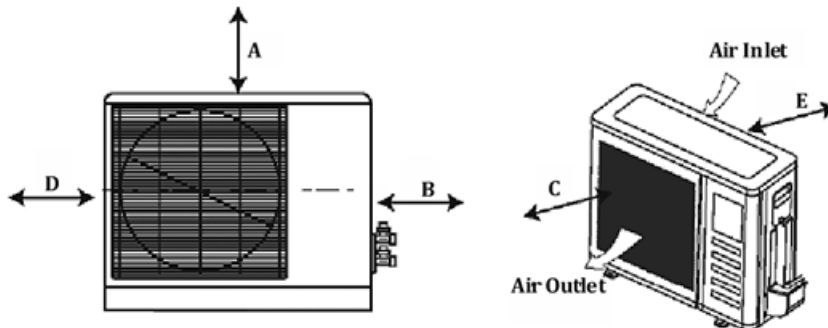
CLEARANCE SPECIFICATIONS

Indoor Minimum Clearance*



Inch (mm)

Outdoor Unit Minimum Clearance*



| Outdoor Unit | Minimum Distance | |
|--------------|------------------|----------|
| | A | 20 in |
| B | 20in | 508 mm |
| C | 78 in | 1,981 mm |
| D | 12 in | 305 mm |
| E | 12in | 305 mm |

*All Models

EXTENDED PERFORMANCE RATINGS

Model No: RIO09HP115V1A

9,000 BtuH 115V

COOLING PERFORMANCE

| Outdoor Ambient Temperature (DB) | Indoor Entering Air Temperatures (DB) 50% RH | | | | | |
|----------------------------------|--|-------|--------|-------|--------|-------|
| | 62 F | | 67 F | | 72 F | |
| | TC | SHC | TC | SHC | TC | SHC |
| 25 F | NA | NA | NA | NA | NA | NA |
| 35 F | NA | NA | NA | NA | NA | NA |
| 45 F | NA | NA | NA | NA | NA | NA |
| 55 F | NA | NA | NA | NA | NA | NA |
| 65F | 9,569 | 7,434 | 10,520 | 7,985 | 11,165 | 8,152 |
| 75F | 9,179 | 7,176 | 9,910 | 7,614 | 10,642 | 7,859 |
| 85F | 8,810 | 7,013 | 9,445 | 7,289 | 10,266 | 7,666 |
| 95F | 8,370 | 6,688 | 9,000 | 7,191 | 9,846 | 7,394 |
| 105F | 7,912 | 6,436 | 8,532 | 6,809 | 9,274 | 7,115 |
| 115F | 7,458 | 6,166 | 7,911 | 6,423 | 8,450 | 6,629 |

HEATING PERFORMANCE

| Outdoor Ambient Temperature (DB) (80% RH) | Indoor Entering Air Temperatures (DB) | | | | | |
|---|---------------------------------------|--------|--------|--------|--------|--------|
| | 65 F | | 70 F | | 75 F | |
| | TC | SHC | TC | SHC | TC | SHC |
| 5F | 8,239 | 8,239 | 7,881 | 7,881 | 7,629 | 7,629 |
| 15F | 8,926 | 8,926 | 8,239 | 8,239 | 8,231 | 8,231 |
| 25F | 9,439 | 9,439 | 9,631 | 9,631 | 9,559 | 9,559 |
| 35F | 10,911 | 10,911 | 11,392 | 11,392 | 10,889 | 10,889 |
| 45F | 12,357 | 12,357 | 12,243 | 12,943 | 12,386 | 12,386 |
| 55F | 13,368 | 13,368 | 13,116 | 13,116 | 12,596 | 12,596 |
| 65F | 13,350 | 13,350 | 13,203 | 13,203 | 12,856 | 12,856 |

TC- Total Capacity (BtuH)

SHC- Sensible Capacity (BtuH)

Capacity data is based on the following conditions:

Cooling Nominal Test Conditions
 Indoor: 80°F DB/67°F WB
 Outdoor: 95°F DB/75°F WB

Heating Normal Test Conditions
 Indoor: 70°F DB/60°F WB
 Outdoor: 47°F DB/43°F WB

EXTENDED PERFORMANCE RATINGS

Model No: RIO12HP115V1A

12,000 BtuH 115V

COOLING PERFORMANCE

| Outdoor Ambient Temperature (DB) | Indoor Entering Air Temperatures (DB) 50% RH | | | | | |
|----------------------------------|--|-------|--------|--------|--------|--------|
| | 62 F | | 67 F | | 72 F | |
| | TC | SHC | TC | SHC | TC | SHC |
| 25F | NA | NA | NA | NA | NA | NA |
| 35F | NA | NA | NA | NA | NA | NA |
| 45F | NA | NA | NA | NA | NA | NA |
| 55F | NA | NA | NA | NA | NA | NA |
| 65F | 12,754 | 9,920 | 14,043 | 10,641 | 14,890 | 10,887 |
| 75F | 12,262 | 9,571 | 13,210 | 10,141 | 14,187 | 10,487 |
| 85F | 11,764 | 9,347 | 12,602 | 9,737 | 13,650 | 10,259 |
| 95F | 11,162 | 8,916 | 12,005 | 9,581 | 13,125 | 9,855 |
| 105F | 10,556 | 8,571 | 11,370 | 9,079 | 12,361 | 9,496 |
| 115F | 9,957 | 8,204 | 10,556 | 8,563 | 11,289 | 8,822 |

HEATING PERFORMANCE

| Outdoor Ambient Temperature (DB) (80% RH) | Indoor Entering Air Temperatures (DB) | | | | | |
|---|---------------------------------------|--------|--------|--------|--------|--------|
| | 65 F | | 70 F | | 75 F | |
| | TC | SHC | TC | SHC | TC | SHC |
| 5F | 9,221 | 9,221 | 8,663 | 8,663 | 8,436 | 8,436 |
| 15F | 11,598 | 11,598 | 10,968 | 10,968 | 10,619 | 10,619 |
| 25F | 11,845 | 11,845 | 11,683 | 11,683 | 11,476 | 11,476 |
| 35F | 12,876 | 12,876 | 12,642 | 12,642 | 12,535 | 12,535 |
| 45F | 14,195 | 14,195 | 13,989 | 13,989 | 13,546 | 13,546 |
| 55F | 14,513 | 14,513 | 14,245 | 14,245 | 14,128 | 14,128 |
| 65F | 14,459 | 14,459 | 14,375 | 14,375 | 14,274 | 14,274 |

TC- Total Capacity (BtuH)

SHC- Sensible Capacity (BtuH)

Capacity data is based on the following conditions:

Cooling Nominal Test Conditions
 Indoor: 80°F DB/67°F WB
 Outdoor: 95°F DB/75°F WB

Heating Normal Test Conditions
 Indoor: 70°F DB/60°F WB
 Outdoor: 47°F DB/43°F W

EXTENDED PERFORMANCE RATINGS

Model No: RIO09HP230V1B

9,000 BtuH 230V

COOLING PERFORMANCE

| Outdoor Ambient Temperature (DB) | Indoor Entering Air Temperatures (DB) 50% RH | | | | | |
|----------------------------------|--|-------|--------|-------|--------|-------|
| | 62 F | | 67 F | | 72 F | |
| | TC | SHC | TC | SHC | TC | SHC |
| 25F | 11,073 | 8,222 | 11,968 | 8,665 | 12,794 | 9,211 |
| 35F | 10,821 | 8,212 | 11,524 | 8,412 | 12,083 | 8,736 |
| 45F | 10,286 | 7,900 | 11,000 | 8,162 | 11,786 | 8,544 |
| 55F | 9,903 | 7,665 | 10,560 | 7,920 | 11,320 | 8,264 |
| 65F | 9,565 | 7,432 | 10,525 | 7,988 | 11,160 | 8,158 |
| 75F | 9,189 | 7,186 | 9,900 | 7,613 | 10,648 | 7,858 |
| 85F | 8,820 | 7,003 | 9,450 | 7,295 | 10,260 | 7,664 |
| 95F | 8,370 | 6,688 | 9,000 | 7,191 | 9,846 | 7,394 |
| 105F | 7,920 | 6,431 | 8,530 | 6,807 | 9,270 | 7,119 |
| 115F | 7,469 | 6,155 | 7,919 | 6,415 | 8,459 | 6,624 |

HEATING PERFORMANCE

| Outdoor Ambient Temperature (DB) (80% RH) | Indoor Entering Air Temperatures (DB) | | | | | |
|---|---------------------------------------|-------|-------|-------|-------|-------|
| | 65 F | | 70 F | | 75 F | |
| | TC | SHC | TC | SHC | TC | SHC |
| 5F | 7,435 | 7,435 | 7,017 | 7,017 | 6,845 | 6,845 |
| 15F | 7,947 | 7,947 | 7,250 | 7,250 | 7,206 | 7,206 |
| 25F | 8,432 | 8,432 | 8,003 | 8,003 | 7,548 | 7,548 |
| 35F | 8,903 | 8,903 | 8,240 | 8,240 | 7,894 | 7,894 |
| 45F | 9,368 | 9,368 | 9,050 | 9,050 | 8,502 | 8,502 |
| 55F | 9,380 | 9,380 | 9,109 | 9,109 | 8,710 | 8,710 |
| 65F | 9,336 | 9,336 | 9,199 | 9,199 | 8,916 | 8,916 |

TC- Total Capacity (BtuH)

SHC- Sensible Capacity (BtuH)

Capacity data is based on the following conditions:

Cooling Nominal Test Conditions

Indoor: 80°F DB/67°F WB

Outdoor: 95°F DB/75°F WB

Heating Normal Test Conditions

Indoor: 70°F DB/60°F WB

Outdoor: 47°F DB/43°F W

EXTENDED PERFORMANCE RATINGS

Model No: RIO12HP230V1B

12,000 BtuH 230V

COOLING PERFORMANCE

| Outdoor Ambient Temperature (DB) | Indoor Entering Air Temperatures (DB) 50% RH | | | | | |
|----------------------------------|--|--------|--------|--------|--------|--------|
| | 62 F | | 67 F | | 72 F | |
| | TC | SHC | TC | SHC | TC | SHC |
| 25F | 14,764 | 10,962 | 15,958 | 11,553 | 17,058 | 12,282 |
| 35F | 14,428 | 10,949 | 15,365 | 11,216 | 16,111 | 11,648 |
| 45F | 13,715 | 10,533 | 14,666 | 10,883 | 15,714 | 11,393 |
| 55F | 13,204 | 10,219 | 14,080 | 10,560 | 15,094 | 11,018 |
| 65F | 12,754 | 9,910 | 14,033 | 10,651 | 14,880 | 10,877 |
| 75F | 12,252 | 9,581 | 13,200 | 10,151 | 14,197 | 10,477 |
| 85F | 11,760 | 9,337 | 12,600 | 9,727 | 13,680 | 10,219 |
| 95F | 11,160 | 8,917 | 12,000 | 9,588 | 13,128 | 9,859 |
| 105F | 10,560 | 8,575 | 11,374 | 9,076 | 12,360 | 9,492 |
| 115F | 9,959 | 8,206 | 10,559 | 8,553 | 11,279 | 8,832 |

HEATING PERFORMANCE

| Outdoor Ambient Temperature (DB) (80% RH) | Indoor Entering Air Temperatures (DB) | | | | | |
|---|---------------------------------------|--------|--------|--------|--------|--------|
| | 65 F | | 70 F | | 75 F | |
| | TC | SHC | TC | SHC | TC | SHC |
| 5F | 9,907 | 9,907 | 9,350 | 9,350 | 9,121 | 9,121 |
| 15F | 10,590 | 10,590 | 9,661 | 9,661 | 9,603 | 9,603 |
| 25F | 11,236 | 11,236 | 10,665 | 10,665 | 10,058 | 10,058 |
| 35F | 11,864 | 11,864 | 10,981 | 10,981 | 10,520 | 10,520 |
| 45F | 12,483 | 12,483 | 12,060 | 12,060 | 11,329 | 11,329 |
| 55F | 12,500 | 12,500 | 12,139 | 12,139 | 11,608 | 11,608 |
| 65F | 12,441 | 12,441 | 12,259 | 12,259 | 11,881 | 11,881 |

TC- Total Capacity (BtuH)

SHC- Sensible Capacity (BtuH)

Capacity data is based on the following conditions:

Cooling Nominal Test Conditions

Indoor: 80°F DB/67°F WB

Outdoor: 95°F DB/75°F WB

Heating Normal Test Conditions

Indoor: 70°F DB/60°F WB

Outdoor: 47°F DB/43°F W

EXTENDED PERFORMANCE RATINGS

Model No: RIO18HP230V1B

18,000 BtuH 230V

COOLING PERFORMANCE

| Outdoor Ambient Temperature (DB) | Indoor Entering Air Temperatures (DB) 50% RH | | | | | |
|----------------------------------|--|--------|--------|--------|--------|--------|
| | 62 F | | 67 F | | 72 F | |
| | TC | SHC | TC | SHC | TC | SHC |
| 25F | 22,145 | 16,443 | 23,936 | 17,330 | 25,587 | 18,422 |
| 35F | 21,641 | 16,423 | 23,047 | 16,825 | 24,167 | 17,473 |
| 45F | 20,572 | 15,799 | 22,000 | 16,324 | 23,571 | 17,089 |
| 55F | 19,805 | 15,329 | 21,119 | 15,839 | 22,640 | 16,528 |
| 65F | 19,130 | 14,864 | 21,049 | 15,977 | 22,320 | 16,316 |
| 75F | 18,378 | 14,371 | 19,800 | 15,226 | 21,296 | 15,716 |
| 85F | 17,640 | 14,006 | 18,900 | 14,591 | 20,520 | 15,329 |
| 95F | 16,740 | 13,375 | 18,000 | 14,382 | 19,692 | 14,789 |
| 105F | 15,840 | 12,862 | 17,060 | 13,614 | 18,540 | 14,239 |
| 115F | 14,939 | 12,309 | 15,839 | 12,829 | 16,919 | 13,248 |

HEATING PERFORMANCE

| Outdoor Ambient Temperature (DB) (80% RH) | Indoor Entering Air Temperatures (DB) | | | | | |
|---|---------------------------------------|--------|--------|--------|--------|--------|
| | 65 F | | 70 F | | 75 F | |
| | TC | SHC | TC | SHC | TC | SHC |
| 5F | 15,978 | 15,978 | 15,080 | 15,080 | 14,710 | 14,710 |
| 15F | 17,079 | 17,079 | 15,581 | 15,581 | 15,488 | 15,488 |
| 25F | 18,121 | 18,121 | 17,200 | 17,200 | 16,221 | 16,221 |
| 35F | 19,133 | 19,133 | 17,709 | 17,709 | 16,966 | 16,966 |
| 45F | 20,133 | 20,133 | 19,450 | 19,450 | 18,272 | 18,272 |
| 55F | 20,160 | 20,160 | 19,577 | 19,577 | 18,720 | 18,720 |
| 65F | 20,064 | 20,064 | 19,771 | 19,771 | 19,162 | 19,162 |

TC- Total Capacity (BtuH)

SHC- Sensible Capacity (BtuH)

Capacity data is based on the following conditions:

Cooling Nominal Test Conditions
 Indoor: 80°F DB/67°F WB
 Outdoor: 95°F DB/75°F WB

Heating Normal Test Conditions
 Indoor: 70°F DB/60°F WB
 Outdoor: 47°F DB/43°F W

EXTENDED PERFORMANCE RATINGS

Model No: RIO24HP230V1A

24,000 BtuH 230V

COOLING PERFORMANCE

| Outdoor Ambient Temperature (DB) | Indoor Entering Air Temperatures (DB) 50% RH | | | | | |
|----------------------------------|--|--------|--------|--------|--------|--------|
| | 62 F | | 67 F | | 72 F | |
| | TC | SHC | TC | SHC | TC | SHC |
| 25F | 27,066 | 20,097 | 29,255 | 21,181 | 31,273 | 22,516 |
| 35F | 26,450 | 20,073 | 28,169 | 20,564 | 29,537 | 21,356 |
| 45F | 25,144 | 19,310 | 26,889 | 19,951 | 28,809 | 20,886 |
| 55F | 24,206 | 18,736 | 25,812 | 19,359 | 27,671 | 20,201 |
| 65F | 23,381 | 18,167 | 25,727 | 19,527 | 27,280 | 19,942 |
| 75F | 22,462 | 17,565 | 24,200 | 18,610 | 26,028 | 19,209 |
| 85F | 21,560 | 17,119 | 23,100 | 17,833 | 25,080 | 18,735 |
| 95F | 20,460 | 16,347 | 22,000 | 17,578 | 24,068 | 18,075 |
| 105F | 19,360 | 15,720 | 20,851 | 16,640 | 22,660 | 17,403 |
| 115F | 18,259 | 15,045 | 19,359 | 15,680 | 20,678 | 16,191 |

HEATING PERFORMANCE

| Outdoor Ambient Temperature (DB) (80% RH) | Indoor Entering Air Temperatures (DB) | | | | | |
|---|---------------------------------------|--------|--------|--------|--------|--------|
| | 65 F | | 70 F | | 75 F | |
| | TC | SHC | TC | SHC | TC | SHC |
| 5F | 20,004 | 20,004 | 18,880 | 18,880 | 18,417 | 18,417 |
| 15F | 21,383 | 21,383 | 19,508 | 19,508 | 19,390 | 19,390 |
| 25F | 22,688 | 22,688 | 21,534 | 21,534 | 20,309 | 20,309 |
| 35F | 23,954 | 23,954 | 22,172 | 22,172 | 21,242 | 21,242 |
| 45F | 25,206 | 25,206 | 24,351 | 24,351 | 22,876 | 22,876 |
| 55F | 25,240 | 25,240 | 24,510 | 24,510 | 23,437 | 23,437 |
| 65F | 25,120 | 25,120 | 24,753 | 24,753 | 23,990 | 23,990 |

TC- Total Capacity (BtuH)

SHC- Sensible Capacity (BtuH)

Capacity data is based on the following conditions:

Cooling Nominal Test Conditions
 Indoor: 80°F DB/67°F WB
 Outdoor: 95°F DB/75°F WB

Heating Normal Test Conditions
 Indoor: 70°F DB/60°F WB
 Outdoor: 47°F DB/43°F W

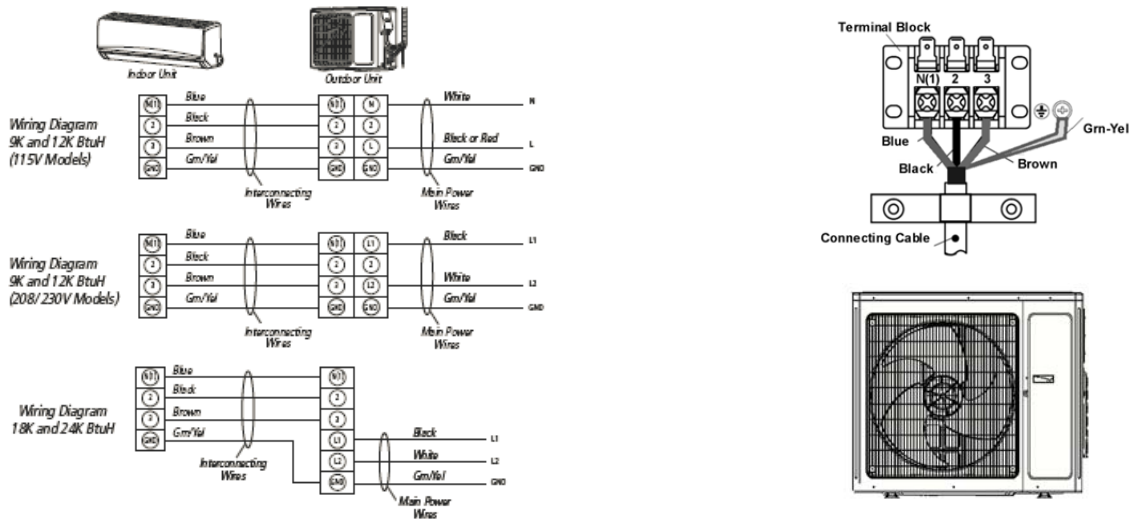
ELECTRICAL WIRING



⚠ CAUTION

- *Electrical Disconnecting means must be provided and shall be located within sight and readily accessible from the unit.*
- *Failure to follow this caution may result in equipment damage or improper operation. All wires running from the indoor unit must comply with National Electrical Code (NEC) and local codes.*
- *No Wire should be allowed to touch refrigerant tubing, compressor or moving parts.*
- *All wires must be connected firmly to terminal block to avoid unit malfunction, overheating, and possible fire hazard.*

The main power is supplied to the outdoor unit. System must be on a single dedicated circuit. Use appropriate wire size and circuit breaker (or fuse) size for proper system overcurrent protection. Follow all local building codes and NEC (National Electrical Code) regulations.

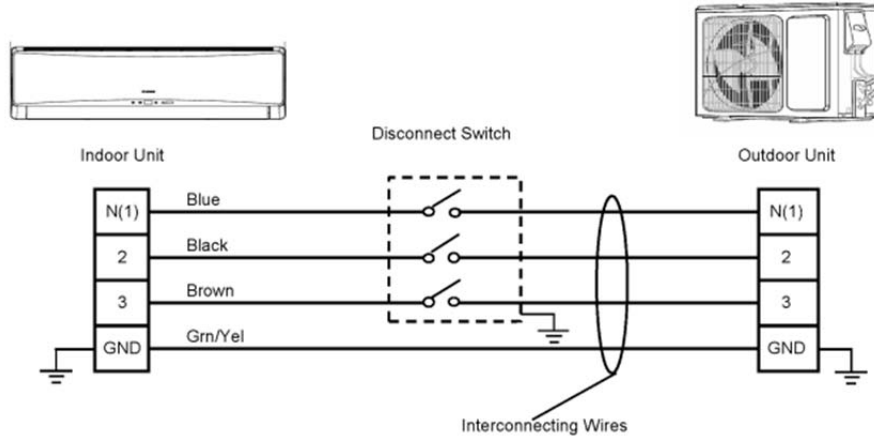


Interconnecting Cable Wiring Diagram

The indoor unit is powered by the outdoor unit. The interconnecting cable between the outdoor and indoor unit must be a 14/4 AWG stranded copper conductors THHN 600V unshielded wire. The interconnecting cable should not be buried underground and must be recognized by UL or ETL and CSA certified.

Note: Use shield cable if installation is in close proximity of RF and EMI transmitting devices.

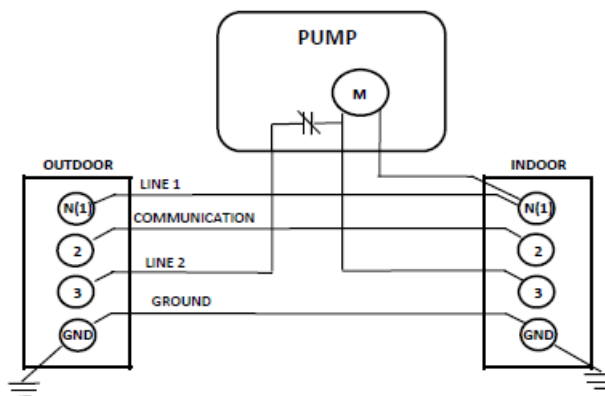
Local codes may require a disconnect switch within sight of the indoor unit. For these installations, use a DFS Disconnect Switch Accessory Kit (Part No: DFS-SWITCH-A) to break wires going to the N(1), 2, 3 terminals on the indoor unit, as shown in the wiring diagram below:



CONDENSATE REMOVAL

Install condensate drain to safely and effectively route condensate water to a safe location. Use a flexible condensate drain hose to fit over the factory 5/8-inch (16mm) drainage port. The high wall indoor units have an internal condensate trap. Adding an external trap is not required.

All condensate drains must meet local codes and regulations. If adequate gravity drainage cannot be provided, a field-installed condensate pump must be used. Refer to manufacturer's installation instructions, specifications and operating details supplied with condensate pump.



Typical Condensate Pump Wiring Diagram

LIMITED WARRANTY STATEMENT

Effective on new GREE Ductless purchases on or after March 1, 2013

Ductless Heat Pump Mini-Split Systems

RIO09HP115V1A
RIO09HP230V1B
RIO18HP230V1B

RIO12HP115V1A
RIO12HP230V1B
RIO24HP230V1A

GREE distributor (hereinafter “Company”) warrants this product against failure due to defect in materials or workmanship under normal use and maintenance as follows. All warranty periods begin on the date of original installation. If the date cannot be verified, the warranty period begins one hundred twenty (120) days from date of manufacture. If a part fails due to defect during the applicable warranty period Company will provide a new or remanufactured part, at Company’s option, to replace the failed defective part at no charge for the part. This limited warranty is subject to all provisions, conditions, limitations and exclusions listed below.

- A warranty period of Seven (7) years on compressor to the original registered end-user.
- A warranty period of Five (5) years on all parts to the original registered end user.
- A warranty period of One (1) year on the remote control provided with the original unit.
- Limited warranty applies only to systems that are properly installed by a state certified or licensed HVAC contractor, under applicable local and state law in accordance with all applicable building codes and permits; GREE installation and operation instructions and good trade practices.
- Warranty applies only to products remaining in their original installation location.
- Defective parts must be returned to the distributor through a registered servicing dealer for credit.

LIMITATIONS OF WARRANTIES: ALL IMPLIED WARRANTIES AND/OR CONDITIONS (INCLUDING IMPLIED WARRANTIES OR CONDITIONS OF MERCHANTABILITY AND FITNESS FOR A PARTICULAR USE OR PURPOSE) ARE LIMITED TO THE DURATION OF THIS LIMITED WARRANTY, SOME STATES OR PROVINCES DO NOT ALLOW LIMITATIONS ON HOW LONG AN IMPLIED WARRANTY OR CONDITION LASTS, SO THE ABOVE MAY NOT APPLY TO YOU. THE EXPRESS WARRANTIES MADE IN THIS WARRANTY ARE EXCLUSIVE AND MAY NOT BE ALTERED, ENLARGED, OR CHANGED BY ANY DISTRIBUTOR, DEALER, OR OTHER PERSON, WHATSOEVER.

THIS WARRANTY DOES NOT COVER:

1. Labor or other costs incurred for diagnosing, repairing, removing, installing, shipping, servicing or handling of either defective parts, or replacement parts, or new units.
2. Product cleaning required prior to warranty service and repair.
3. Normal maintenance as outlined in the installation and servicing instructions or Owner's Manual, including filter cleaning and/or replacement and lubrication.
4. Failure, damage or repairs due to faulty installation, misapplication, abuse, improper servicing, unauthorized alteration or improper operation.
5. Failure to start due to voltage conditions, blown fuses, open circuit breakers, or damages due to the inadequacy or interruption of electrical service.
6. Failure or damage due to floods, winds, fires, lightning, accidents, corrosive environments (rust, etc.) or other conditions beyond the control of the Company.
7. Failure or damage of coils or piping due to corrosion on installations within one (1) miles of sea coast or corrosive body.
8. Parts not supplied or designated by Company, or damages resulting from their use.
9. Products installed outside continental USA and Canada.
10. Electricity or fuel costs, or increases in electricity or fuel costs from any reason whatsoever, including additional or unusual use of supplemental electric heat.
11. Any cost to replace, refill or dispose of refrigerant, including the cost of refrigerant.
12. Shipping damage or damage as a result of transporting the unit.
13. Accessories such as condensate pumps, line sets and so forth are not covered.
14. Any special, indirect or consequential property or commercial damage of any nature whatsoever. Some states or provinces do not allow the exclusion of incidental or consequential damages, so the above limitation may not apply to you.

FOR WARRANTY SERVICE OR REPAIR:

Contact your installing contractor. You may find the installer's name on the equipment or in your Owner's packet.

Complete product registration below and send back by e-mail at service@twclimate.com

This warranty gives you specific legal rights, and you may also have other rights which vary from state to state or province to province.

WSO021513-DLSWARR-HP – Rev. 3-8-13



Specifications in this booklet are subject to change without notice. Manufacturer reserves the right to discontinue or modify specifications or designs without notice or without incurring obligations. All rights reserved.