

**Submittal Data: RIO12HP115V1A** **12,000 BTU/H Wall Mounted Heat- Pump System**

Job Name \_\_\_\_\_ Location \_\_\_\_\_ Date \_\_\_\_\_

Purchaser \_\_\_\_\_ Engineer \_\_\_\_\_

Submitted To \_\_\_\_\_ For  Reference  Approval  Construction

Unit Designation \_\_\_\_\_ Schedule No. \_\_\_\_\_

- GENERAL FEATURES**
- Compact and Quiet Design
  - High Efficiency - 16 SEER
  - DC Inverter Technology
  - Wireless Remote with LCD Display
  - Low Ambient Cooling
  - Comfortable Sleep Mode
  - Intelligent Defrost
  - 5 year Limited Parts Warranty
  - 7 year Limited Compressor Warranty



**System Ratings**

**Indoor Unit Data**

<b>Cooling</b>	
Rated Capacity	11,800 BTU/H
Capacity Range	3,300-12,500 BTU/H
Power Input (Max)	1,340 W
SEER	16
EER	9.4

<b>Fan Motor</b>	Output Power	10 W
	FLA	0.4 A
<b>Airflow</b>		
Cooling	Wet (Lo/Hi)	200/341 CFM
Heating	Dry (Lo/Hi)	211/341 CFM

<b>Heating at 47° F</b>	
Rated Capacity	13,000 BTU/H
Capacity Range	3,400-13,500 BTU/H
Power Input (Max)	1,360 W
HSPF	8.6
COP	2.9

<b>Sound Pressure Level</b>		
Cooling	(Lo/Hi)	32/40 db(A)
Heating	(Lo/Hi)	32/40 db(A)
<b>Dimensions &amp; Weights</b>		
Unit Dimensions	(LxHxD)	30.3 x 11.1 x 7.9-in
Weight	(Net/Shipping)	19/26 LBS

<b>Heating at 17° F</b>	
Rated Capacity	8,500 BTU/H
Capacity (Max)	11,110 BTU/H
Power Input (Max)	1,162 W
COP	2.2

**Outdoor Unit Data**

<b>Operating Range</b>		
Cooling	(Max)	113°F (45 C)
	(Min)	64°F (18 C)
Heating	(Max)	75°F (24 C)
	(Min)	5°F (-15 C)

<b>Compressor</b>	DC Inverter Driven Rotary	
<b>Refrigerant Type</b>	R410A	
<b>Fan Motor</b>	Output Power	30 W
	FLA	0.2 A
<b>Sound Pressure</b>		
Cooling		55 db(A)
Heating		55 db(A)
<b>Dimensions &amp; Weights</b>		
Unit Dimensions	(LxHxD)	33.4 x 21.2 x 12.6 -in
Weight	(Net/Shipping)	75/84 LBS

<b>Power Supply</b>	
Normal Operational Voltage	115 V, 1 Phase, 60 Hz
Voltage Range	103-127 V
Main Power Wire Size	10-2 AWG
Interconnecting Cable Wire Size	14-4 AWG
MCA	15.0 A
MOCP/Breaker Size	25 A

<b>Refrigerant Piping Data</b>	
Gas Pipe Size (OD)	3/8-in
Liquid Pipe Size (OD)	1/4-in
Connection Method	Flared
MAX Refrigerant Pipe Length	66-ft
MIN Refrigerant Pipe Length	10-ft
MAX Refrigerant Pipe Height Difference	33-ft



**EXTENDED RATINGS**

**COOLING PERFORMANCE**

Outdoor Ambient Temperature (DB)	Indoor Entering Air Temperatures (DB) 50% RH					
	62 F		67 F		72 F	
	TC	SHC	TC	SHC	TC	SHC
25 F	NA	NA	NA	NA	NA	NA
35 F	NA	NA	NA	NA	NA	NA
45 F	NA	NA	NA	NA	NA	NA
55 F	NA	NA	NA	NA	NA	NA
65 F	12,754	9,920	14,043	10,641	14,890	10,887
75 F	12,262	9,571	13,210	10,141	14,187	10,487
85 F	11,764	9,347	12,602	9,737	13,650	10,259
95 F	11,162	8,916	12,005	9,581	13,125	9,855
105 F	10,556	8,571	11,370	9,079	12,361	9,496
115 F	9,957	8,204	10,556	8,563	11,289	8,822

**HEATING PERFORMANCE**

Outdoor Ambient Temperature (DB) (80% RH)	Indoor Entering Air Temperatures (DB)					
	65 F		70 F		75 F	
	TC	SHC	TC	SHC	TC	SHC
5 F	9,221	9,221	8,663	8,663	8,436	8,436
15 F	11,598	11,598	10,968	10,968	10,619	10,619
25 F	11,845	11,845	11,683	11,683	11,476	11,476
35 F	12,876	12,876	12,642	12,642	12,535	12,535
45 F	14,195	14,195	13,989	13,989	13,546	13,546
55 F	14,513	14,513	14,245	14,245	14,128	14,128
65 F	14,459	14,459	14,375	14,375	14,274	14,274

TC- Total Capacity ( BtuH)

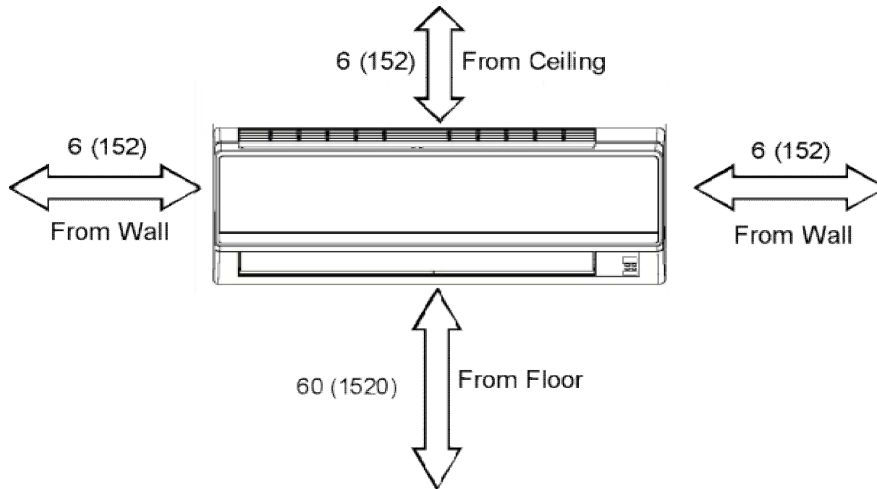
SHC- Sensible Capacity (BtuH)

**Submittal Data: RIO12HP115V1A**

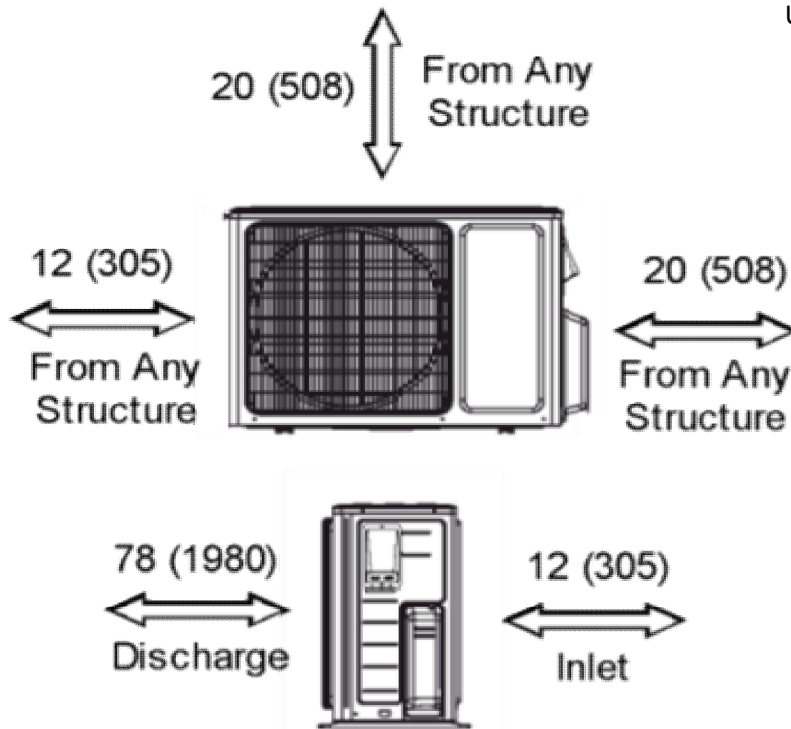
12,000 BTU/H Wall Mounted Heat- Pump System

**MINIMUM SPACING REQUIREMENTS**

Units: inch (mm)



Units: inch (mm)

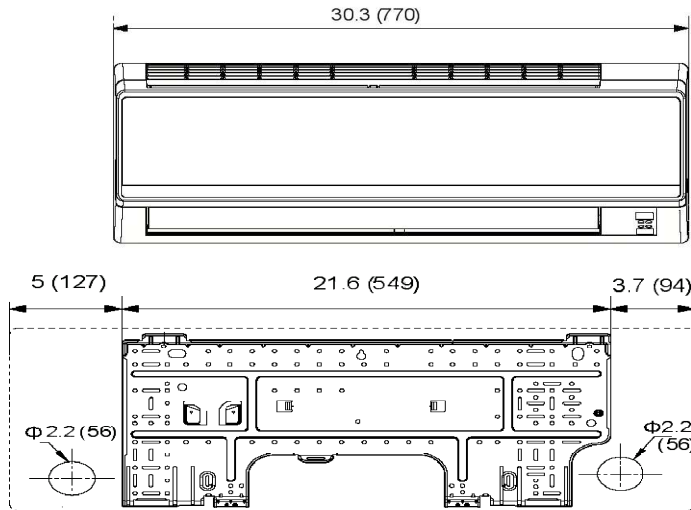


## DIMENSIONAL SPECIFICATIONS

**RIO12HP115V1A**

### INDOOR UNIT DIMENSIONS

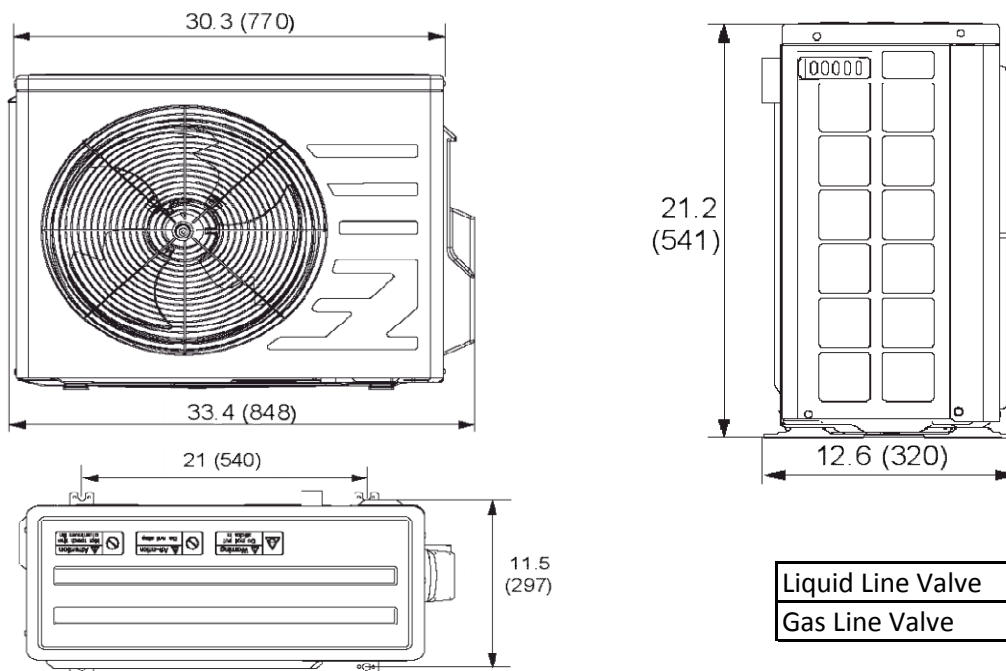
Units: inch (mm)



Liquid Line Valve	1/4-in OD Flared
Gas Line Valve	3/8-in OD Flared
Drain Connector	5/8-in OD

### OUTDOOR UNIT DIMENSIONS

Units: inch (mm)



Liquid Line Valve	1/4-in OD Flared
Gas Line Valve	3/8-in OD Flared

**Notes:**

1. Recommended Interconnecting Cable Type Stranded Bare Copper Conductors THHN 600V Wire
2. Power wiring cable size must comply with applicable national and local codes.
3. Test conditions are based on AHRI 210/240.



[www.greecomfort.com](http://www.greecomfort.com)

Specifications are subject to change without notice. Manufacturer reserves the right to discontinue or modify specifications or designs without notice or without incurring obligations. All rights reserved.