

Submittal Data: MULTI36HP230V1AO 36,000 BTU/H Wall Mounted Heat- Pump System

Job Name _____ **Location** _____ **Date** _____

Purchaser _____ **Engineer** _____

Submitted To _____ **For** Reference Approval Construction

Unit Designation _____ **Schedule No.** _____

- GENERAL FEATURES**
- Up to 4 Indoor Units Comfort (4-Port)
 - G10 DC Inverter Technology
 - Quiet Operation - Both Indoor & Outdoor
 - Wireless Remote Controller
 - Optional Wired Remote Controller
 - Acrylic Resin / Anti-Corrosion Coil Coating
 - Intelligent Defrost
 - Auto Restart on Power Outages
 - Limited 7 yr Compressor & 5 yr Parts Warranty



System Ratings

| | |
|-------------------|--------------------|
| Cooling | |
| Rated Capacity | 34,000 BTU/H |
| Capacity Range | 8,530-34,120 BTU/H |
| Power Input (Max) | 4,300 W |
| SEER | 16 |
| EER | 7.9 |

Outdoor Unit Data

| | | |
|-------------------|----------------|---------------------------|
| Compressor | Type | DC Inverter Driven Rotary |
| | RLA | 21.0 A |
| Fan Motor | Output Power | 120 W |
| | FLA | 0.7 A |
| | Air Flow (Max) | 2,177 CFM |

| | |
|-------------------------|---------------------|
| Heating at 47° F | |
| Rated Capacity | 35,800 BTU/H |
| Capacity Range | 10,662-40,944 BTU/H |
| Input Power (Max) | 3,600 W |
| HSPF | 8.2 |
| COP | 2.9 |

| | |
|-----------------------|----------|
| Sound Pressure | |
| Cooling | 59 dB(A) |
| Heating | 59 dB(A) |

| | |
|-------------------------|--------------|
| Heating at 17° F | |
| Rated Capacity | 22,000 BTU/H |
| Capacity (Max) | 26,505 BTU/H |

| | |
|---------------------------------|------------------------|
| Dimensions & Weights | |
| Unit Dimensions (LxHxD) | 39.1 x 31.0 x 16.8 -in |
| Weight (Net/Shipping) | 153/165 LBS |

| | |
|------------------------|--------------|
| Operating Range | |
| Cooling (Max) | 118°F (48 C) |
| (Min) | 23°F (-5 C) |
| Heating (Max) | 80°F (27 C) |
| (Min) | 5 (-15 C) |

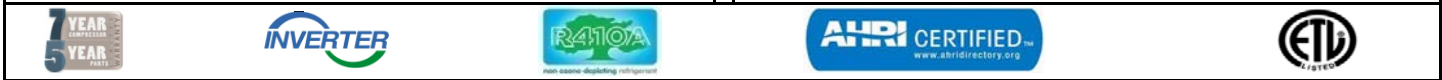
| | |
|-----------------------------|---|
| Min. Number of Indoor Units | 2 |
| Max. Number of Indoor Units | 4 |

Power Supply

| | |
|---------------------------------|---------------------------|
| Normal Operational Voltage | 208/230 V, 1 Phase, 60 Hz |
| Voltage Range | 187 - 253 V |
| Main Power Wire Size | 8-2 AWG |
| Interconnecting Cable Wire Size | 14-4 AWG |
| MCA | 28.0 A |
| MOCP/Breaker Size | 45 A |

Refrigerant Piping Data

| | |
|--|-----------|
| Connection Method | Flared |
| Refrigerant Type | R410A |
| Factory Charge for Total Line Length | 131-ft |
| Additional Charge Per Line Length | 0.2-oz/ft |
| Total Refrigerant Pipe Length | 230-ft |
| Max Refrigerant Piping Length to any Indoor Unit | 82-ft |
| Min Refrigerant Piping Length to any Indoor Unit | 10-ft |
| Max Elevation between Indoor Units | 50-ft |
| Max Lift from Outdoor to Indoor Unit | 82-ft |
| Max Lift from Outdoor to Indoor Unit | 82-ft |

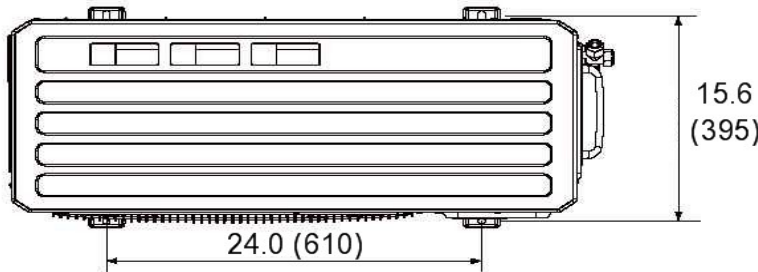
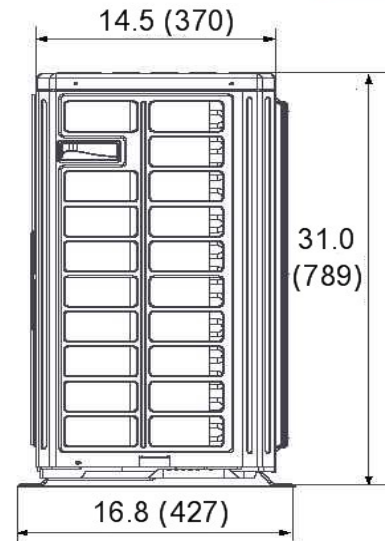
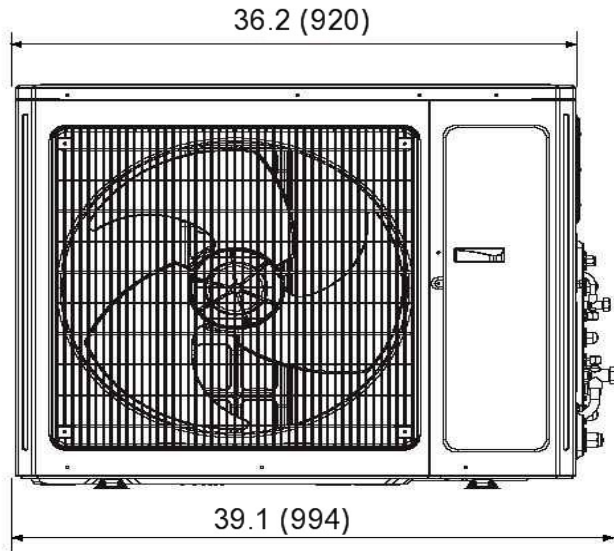


Units: inch (mm)



36,000 BTUH MODEL

Model # MULTI36HP230V1AO 36,000 BTUH 230V



Suction/Gas Line Port Size

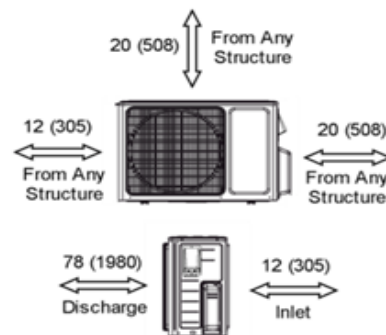
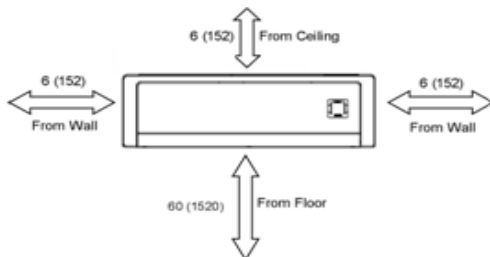
| | |
|---------|------------------|
| Port #1 | 3/8-in OD Flared |
| Port #2 | 3/8-in OD Flared |
| Port #3 | 1/2-in OD Flared |
| Port #4 | 5/8-in OD Flared |

Liquid Line Port Size

| | |
|---------|------------------|
| Port #1 | 1/4-in OD Flared |
| Port #2 | 1/4-in OD Flared |
| Port #3 | 1/4-in OD Flared |
| Port #4 | 3/8-in OD Flared |

MINIMUM SPACING REQUIREMENTS

Units: inch (mm)



Notes:

1. Recommended Interconnecting Cable Type Stranded Bare Copper Conductors THHN 600V Unshielded Wire
2. Power wiring cable size must comply with applicable national and local codes.
3. Test conditions are based on AHRI 210/240.



www.greecomfort.com

Specifications are subject to change without notice. Manufacturer reserves the right to discontinue or modify specifications or designs without notice or without incurring obligations. All rights reserved.

COOLING CAPACITY (BTUH)

| Indoor Units Combinations | Rated System Capacity (BtuH) | Capacity Rating (Min.~Max.) (1) (BtuH) | Indoor Unit A (BtuH) | Indoor Unit B (BtuH) | Indoor Unit C (BtuH) | Indoor Unit D (BtuH) |
|---------------------------|------------------------------|--|----------------------|----------------------|----------------------|----------------------|
| 9K+9K | 17,060 | 10,236~26,614 | 8,530 | 8,530 | | |
| 9K+12K | 20,472 | 10,236~27,297 | 8,530 | 12,283 | | |
| 9K+18K | 24,226 | 10,236~31,391 | 7,506 | 16,719 | | |
| 9K+24K (2) | 27,297 | 10,236~31,391 | 6,824 | 20,472 | | |
| 12K+12K | 20,472 | 10,236~31,391 | 10,236 | 10,236 | | |
| 12K+18K | 27,297 | 10,236~32,415 | 10,577 | 13,648 | | |
| 12K+24K (2) | 27,297 | 10,236~32,415 | 10,236 | 17,060 | | |
| 18K+18K | 27,297 | 10,236~32,415 | 13,648 | 13,648 | | |
| 18K+24K (2) | 27,297 | 10,236~32,415 | 12,283 | 15,354 | | |
| 24K +24K (2) | 27,297 | 10,236~32,415 | 13,648 | 13,648 | | |
| 9K+9K+9K | 24,567 | 10,236~30,709 | 8,189 | 8,189 | 8,189 | |
| 9K+9K+12K | 24,567 | 10,236~30,709 | 6,994 | 7,336 | 10,236 | |
| 9K+9K+18K | 29,685 | 10,236~32,756 | 7,165 | 7,165 | 15,354 | |
| 9K+9K+24K (2) | 29,685 | 10,236~32,756 | 6,312 | 6,312 | 17,060 | |
| 9K+12K+12K | 29,685 | 10,236~32,756 | 7,506 | 11,089 | 11,089 | |
| 9K+12K+18K | 29,685 | 10,236~32,756 | 6,141 | 10,065 | 13,477 | |
| 9K+12K+24K (2) | 29,685 | 10,236~32,756 | 5,459 | 8,018 | 16,207 | |
| 9K+18K+18K | 29,685 | 10,236~32,756 | 5,971 | 11,771 | 11,771 | |
| 9K+18K+24K (2) | 29,685 | 10,236~32,756 | 5,459 | 9,042 | 15,184 | |
| 12K+12K+12K | 29,685 | 10,236~32,756 | 9,895 | 9,895 | 9,895 | |
| 12K+12K+18K | 29,685 | 10,236~32,756 | 8,530 | 8,530 | 12,624 | |
| 12K+12K+24K (2) | 29,685 | 10,236~32,756 | 7,506 | 7,506 | 14,672 | |
| 12K+18K+18K | 29,685 | 10,236~32,756 | 9,212 | 12,283 | 12,283 | |
| 18K+18K+18K | 29,685 | 10,236~32,756 | 9,895 | 9,895 | 9,895 | |
| 9K+9K+9K+9K | 33,438 | 10,236~34,121 | 8,359 | 8,359 | 8,359 | 8,359 |
| 9K+9K+9K+12K | 33,438 | 10,236~34,121 | 7,506 | 7,506 | 7,506 | 10,918 |
| 9K+9K+9K+18K | 33,438 | 10,236~34,121 | 6,824 | 6,824 | 6,824 | 12,283 |
| 9K+9K+9K+24K (2) | 33,438 | 10,236~34,121 | 6,141 | 6,141 | 6,141 | 15,013 |
| 9K+9K+12K+12K | 33,438 | 10,236~34,121 | 6,824 | 6,824 | 9,895 | 9,895 |
| 9K+9K+12K+18K | 33,438 | 10,236~34,121 | 6,312 | 6,312 | 8,871 | 12,283 |
| 9K+9K+18K+18K | 33,438 | 10,236~34,121 | 5,459 | 5,459 | 11,260 | 11,260 |
| 9K+12K+12K+12K | 33,438 | 10,236~34,121 | 7,847 | 8,530 | 8,530 | 8,530 |
| 9K+12K+12K+18K | 33,438 | 10,236~34,121 | 6,141 | 7,506 | 7,506 | 12,283 |
| 12K+12K+12K+12K | 33,438 | 10,236~34,121 | 8,359 | 8,359 | 8,359 | 8,359 |

Note:

- 1) It is critical to size the outdoor unit for the entire building load and each indoor unit for it's individual zone load.
- 2) 24K size is reserved for Ceiling Cassettes, Concealed Ducts, and Floor/Ceilings units only. Not Wall Mount units.

Cooling Nominal Test Conditions

Indoor: 80°F DB/67°F WB

Outdoor: 95°F DB/75°F WB



Specifications are subject to change without notice. Manufacturer reserves the right to discontinue or modify specifications or designs

without notice or without incurring obligations. All rights reserved.

HEATING CAPACITY (BTUH)

| Indoor Units Combinations | Rated System Capacity (BtuH) | Capacity Rating (Min. ~ Max.) (1) (BtuH) | Indoor Unit A (BtuH) | Indoor Unit B (BtuH) | Indoor Unit C (BtuH) | Indoor Unit D (BtuH) |
|---------------------------|------------------------------|--|----------------------|----------------------|----------------------|----------------------|
| 9K+9K | 22,178 | 15,354~29,003 | 11,089 | 11,089 | | |
| 9K+12K | 26,614 | 15,354~32,756 | 11,089 | 15,968 | | |
| 9K+18K | 31,494 | 15,354~33,780 | 9,758 | 21,735 | | |
| 9K+24K (2) | 32,756 | 15,354~33,780 | 8,189 | 24,567 | | |
| 12K+12K | 26,614 | 15,354~33,780 | 13,307 | 13,307 | | |
| 12K+18K | 32,756 | 15,354~33,780 | 12,693 | 16,378 | | |
| 12K+24K (2) | 32,756 | 15,354~33,780 | 12,283 | 20,472 | | |
| 18K+18K | 32,756 | 15,354~33,780 | 16,378 | 16,378 | | |
| 18K+24K (2) | 32,756 | 15,354~33,780 | 14,740 | 18,425 | | |
| 24K +24K (2) | 32,756 | 15,354~33,780 | 16,378 | 16,378 | | |
| 9K+9K+9K | 27,024 | 15,354~33,780 | 9,008 | 9,008 | 9,008 | |
| 9K+9K+12K | 27,024 | 15,354~33,780 | 7,694 | 8,069 | 11,260 | |
| 9K+9K+18K | 35,622 | 15,354~37,533 | 8,598 | 8,598 | 18,425 | |
| 9K+9K+24K (2) | 35,622 | 15,354~37,533 | 7,574 | 7,574 | 20,472 | |
| 9K+12K+12K | 35,622 | 15,354~37,533 | 9,008 | 13,307 | 13,307 | |
| 9K+12K+18K | 35,622 | 15,354~37,533 | 7,370 | 12,078 | 16,173 | |
| 9K+12K+24K (2) | 35,622 | 15,354~37,533 | 6,551 | 9,622 | 19,449 | |
| 9K+18K+18K | 35,622 | 15,354~37,533 | 7,165 | 14,126 | 14,126 | |
| 9K+18K+24K (2) | 35,622 | 15,354~37,533 | 6,551 | 10,850 | 18,220 | |
| 12K+12K+12K | 35,622 | 15,354~37,533 | 11,874 | 11,874 | 11,874 | |
| 12K+12K+18K | 35,622 | 15,354~37,533 | 10,236 | 10,236 | 15,149 | |
| 12K+12K+24K (2) | 35,622 | 15,354~37,533 | 9,008 | 9,008 | 17,606 | |
| 12K+18K+18K | 35,622 | 15,354~37,533 | 11,055 | 14,740 | 14,740 | |
| 18K+18K+18K | 35,622 | 15,354~37,533 | 11,874 | 11,874 | 11,874 | |
| 9K+9K+9K+9K | 40,126 | 15,354~40,945 | 10,031 | 10,031 | 10,031 | 10,031 |
| 9K+9K+9K+12K | 40,126 | 15,354~40,945 | 9,008 | 9,008 | 9,008 | 13,102 |
| 9K+9K+9K+18K | 40,126 | 15,354~40,945 | 8,189 | 8,189 | 8,189 | 14,740 |
| 9K+9K+9K+24K (2) | 40,126 | 15,354~40,945 | 7,370 | 7,370 | 7,370 | 18,016 |
| 9K+9K+12K+12K | 40,126 | 15,354~40,945 | 8,189 | 8,189 | 11,874 | 11,874 |
| 9K+9K+12K+18K | 40,126 | 15,354~40,945 | 7,574 | 7,574 | 10,645 | 14,740 |
| 9K+9K+18K+18K | 40,126 | 15,354~40,945 | 6,551 | 6,551 | 13,512 | 13,512 |
| 9K+12K+12K+12K | 40,126 | 15,354~40,945 | 9,417 | 10,236 | 10,236 | 10,236 |
| 9K+12K+12K+18K | 40,126 | 15,354~40,945 | 7,370 | 9,008 | 9,008 | 14,740 |
| 12K+12K+12K+12K | 40,126 | 15,354~40,945 | 10,031 | 10,031 | 10,031 | 10,031 |

Note:

- 1) It is critical to size the outdoor unit for the entire building load and each indoor unit for it's individual zone load.
- 2) 24K size is reserved for Ceiling Cassettes, Concealed Ducts, and Floor/Ceilings units only. Not Wall Mount units.

Heating Nominal Test Conditions

Indoor: 70°F DB/60°F WB

Outdoor: 47°F DB/43°F W



www.greecomfort.com

Specifications are subject to change without notice. Manufacturer reserves the right to discontinue or modify specifications or designs

without notice or without incurring obligations. All rights reserved.

COOLING PERFORMANCE

| Outdoor Ambient Temperature (DB) | Indoor Entering Air Temperatures (DB) 50% RH | | | | | |
|----------------------------------|--|--------|--------|--------|--------|--------|
| | 62 F | | 67 F | | 72 F | |
| | TC | SHC | TC | SHC | TC | SHC |
| 25 F | 41,830 | 31,059 | 45,213 | 32,734 | 48,331 | 34,798 |
| 35 F | 40,878 | 31,022 | 43,534 | 31,780 | 45,648 | 33,004 |
| 45 F | 38,859 | 29,843 | 41,555 | 30,834 | 44,523 | 32,279 |
| 55 F | 37,410 | 28,955 | 39,892 | 29,919 | 42,765 | 31,219 |
| 65 F | 36,135 | 28,077 | 39,760 | 30,178 | 42,160 | 30,819 |
| 75 F | 34,714 | 27,146 | 37,400 | 28,761 | 40,225 | 29,686 |
| 85 F | 33,320 | 26,456 | 35,700 | 27,560 | 38,760 | 28,954 |
| 95 F | 31,620 | 25,264 | 34,000 | 27,166 | 37,196 | 27,934 |
| 105 F | 29,920 | 24,295 | 32,225 | 25,716 | 35,020 | 26,895 |
| 115 F | 28,220 | 23,253 | 29,920 | 24,235 | 31,960 | 25,025 |

HEATING PERFORMANCE

| Outdoor Ambient Temperature (DB) (80% RH) | Indoor Entering Air Temperatures (DB) | | | | | |
|---|---------------------------------------|--------|--------|--------|--------|--------|
| | 65 F | | 70 F | | 75 F | |
| | TC | SHC | TC | SHC | TC | SHC |
| 5 F | 26,628 | 26,628 | 25,131 | 25,131 | 24,515 | 24,515 |
| 15 F | 28,463 | 28,463 | 25,967 | 25,967 | 25,811 | 25,811 |
| 25 F | 30,200 | 30,200 | 28,664 | 28,664 | 27,033 | 27,033 |
| 35 F | 31,886 | 31,886 | 29,513 | 29,513 | 28,275 | 28,275 |
| 45 F | 33,552 | 33,552 | 32,414 | 32,414 | 30,450 | 30,450 |
| 55 F | 33,597 | 33,597 | 32,414 | 32,414 | 31,198 | 31,198 |
| 65 F | 33,438 | 33,438 | 32,949 | 32,949 | 31,934 | 31,934 |

TC- Total Capacity (BtuH)

SHC- Sensible Capacity (BtuH)



Specifications are subject to change without notice. Manufacturer reserves the right to discontinue or modify specifications or designs

without notice or without incurring obligations. All rights reserved.