

Submission Data: CROWN09HP230V1A 9,000 BTU/H Wall Mounted Heat- Pump System

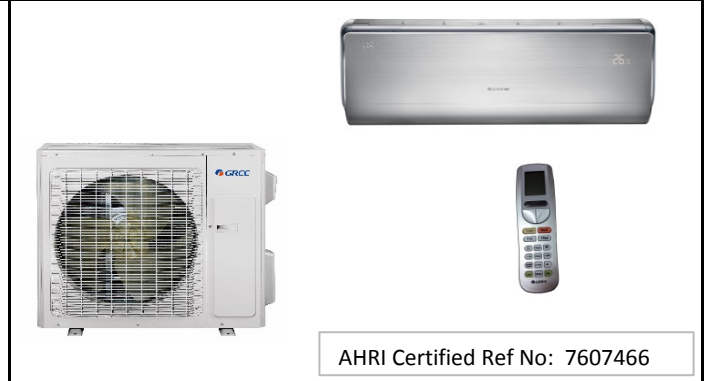
Job Name _____ Location _____ Date _____

Purchaser _____ Engineer _____

Submitted To _____ For Reference Approval Construction

Unit Designation _____ Schedule No. _____

- GENERAL FEATURES**
- Variable Speed (Inverter) Two-Stage Compressor
 - Low Ambient Heating (down to -22° F)
 - Wi Fi Controls
 - 7 Indoor Fan Speeds
 - 4 Way Airflow Operation
 - Wireless Remote with LCD Display
 - I-FEEL Function
 - 5 year Limited Parts Warranty
 - 7 year Limited Compressor Warranty



System Ratings

Cooling	
Rated Capacity	9,000 BTU/H
Capacity Range	1,535-12,966 BTU/H
Power Input (Max)	1,400 W
Dehumidification	
	1.69 pt/hr
SEER	30.5
EER	15.7
Heating at 47° F	
Rated Capacity	9,000 BTU/H
Capacity Range	2,388-13,648 BTU/H
Power Input (Max)	1,500 W
HSPF	11.0
COP	4.2

Indoor Unit Data

Fan Motor	Type	Cross-flow
	Output Power	20 W
	FLA	0.2 A
Airflow	(Low/High)	206/412 CFM
Air Throw	(Max)	29.5 ft
Sound Level		
	Cooling (Low/High)	22/41 db(A)
	Heating (Low/High)	22/41 db(A)
Dehumidification		1.7 pt/hr

Heating at 17° F	
Rated Capacity	5,500 BTU/H
Capacity (Max)	9,180 BTU/H
Power Input (Max)	1,009 W
COP	2.8

Outdoor Unit Data

Compressor	Type	DC Inverter Driven 2-Stage Rotary
	FLA	8.5A
Fan Motor	Output Power	30 W
	FLA	0.36 A
Sound Level		53 db(A)

Operating Range		
Cooling	(Max)	129°F (54 C)
	(Min)	0°F (-18 C)
Heating	(Max)	75°F (24 C)
	(Min)	-22 (-30 C)

Refrigerant Piping Data

Gas Pipe Size (OD)	1/2-in
Liquid Pipe Size (OD)	1/4-in
Connection Method	Flared
Factory Charge	R410a/49.4 oz
Additional Charge	0.21 oz /ft
Pre-Charge Length	25-ft
Max Refrigerant Pipe Length	50-ft
Min Refrigerant Pipe Length	10-ft
Min Refrigerant Pipe Height Difference	33-ft

Power Supply	
Normal Operational Voltage	208/230 V, 1 Phase, 60 Hz
Voltage Range	187 - 253 V
Main Power Wire Size	14-2 AWG
Interconnecting Cable Wire Size	14-4 AWG
MCA	12 A
MOCP/Breaker Size	15 A

COOLING PERFORMANCE (BtuH)*

Outdoor Ambient Temperature (DB)	Indoor Entering Air Temperatures							
	65 DB		68 DB		73 DB		79 DB	
	55 WB		57 WB		61 WB		64 WB	
	TC	SHC	TC	SHC	TC	SHC	TC	SHC
5 °F	5,030	3,940	5,480	4,290	5,810	4,560	6,200	4,860
14 °F	5,240	4,110	5,740	4,500	6,070	4,760	6,480	5,080
23 °F	5,850	4,590	6,290	4,930	6,730	5,280	7,170	5,620
32 °F	6,160	4,840	6,630	5,190	7,090	5,560	7,550	5,920
41 °F	6,470	5,080	6,970	5,450	7,450	5,840	7,930	6,220
50 °F	6,780	5,330	7,310	5,710	7,810	6,120	8,310	6,520
59 °F	7,100	5,570	7,630	5,980	8,160	6,400	8,690	6,820
68 °F	8,100	6,350	8,640	6,780	9,180	7,200	9,540	7,480
77 °F	8,000	6,270	8,540	6,700	9,080	7,120	9,450	7,410
86 °F	7,580	5,940	8,120	6,370	8,660	6,790	9,090	7,130
95 °F	7,150	5,610	7,680	6,030	8,220	6,450	8,750	6,870
104 °F	6,770	5,310	7,310	5,730	7,850	6,150	8,380	6,570
113	6,400	5,020	6,940	5,440	7,470	5,860	8,010	6,280
122	6,210	4,870	6,750	5,290	7,200	5,650	7,740	6,070

HEATING PERFORMANCE (BtuH)*

Outdoor Ambient Temperature (DB)	Indoor Entering Air Temperatures							
	65 DB		68 DB		73 DB		79 DB	
	55 WB		57 WB		61 WB		64 WB	
	TC	SHC	TC	SHC	TC	SHC	TC	SHC
-22 °F	8,330	8,330	8,080	8,080	8,000	8,000	7,920	7,920
-13 °F	8,710	8,710	8,450	8,450	8,360	8,360	8,280	8,280
-4 °F	9,280	9,280	9,000	9,000	8,910	8,910	8,820	8,820
0 °F	9,470	9,470	9,180	9,180	9,090	9,090	9,000	9,000
6 °F	9,470	9,470	9,180	9,180	9,090	9,090	9,000	9,000
10 °F	9,470	9,470	9,180	9,180	9,090	9,090	9,000	9,000
16 °F	9,470	9,470	9,180	9,180	9,090	9,090	9,000	9,000
19 °F	9,470	9,470	9,180	9,180	9,090	9,090	9,000	9,000
24 °F	9,470	9,470	9,180	9,180	9,090	9,090	9,000	9,000
32 °F	9,470	9,470	9,180	9,180	9,090	9,090	9,000	9,000
41 °F	9,470	9,470	9,180	9,180	9,090	9,090	9,000	9,000
43 °F	9,470	9,470	9,180	9,180	9,090	9,090	9,000	9,000
47 °F	9,570	9,570	9,280	9,280	9,180	9,180	9,090	9,090
53 °F	9,780	9,780	9,490	9,490	9,390	9,390	9,300	9,300
59 °F	9,990	9,990	9,690	9,690	9,590	9,590	9,500	9,500
64 °F	10,180	10,180	9,870	9,870	9,770	9,770	9,680	9,680
70 °F	10,320	10,320	10,010	10,010	9,910	9,910	9,810	9,810
75	10,420	10,420	10,100	10,100	10,000	10,000	9,900	9,900
78	10,420	10,420	10,100	10,100	10,000	10,000	9,900	9,900

* Maximum system capacity

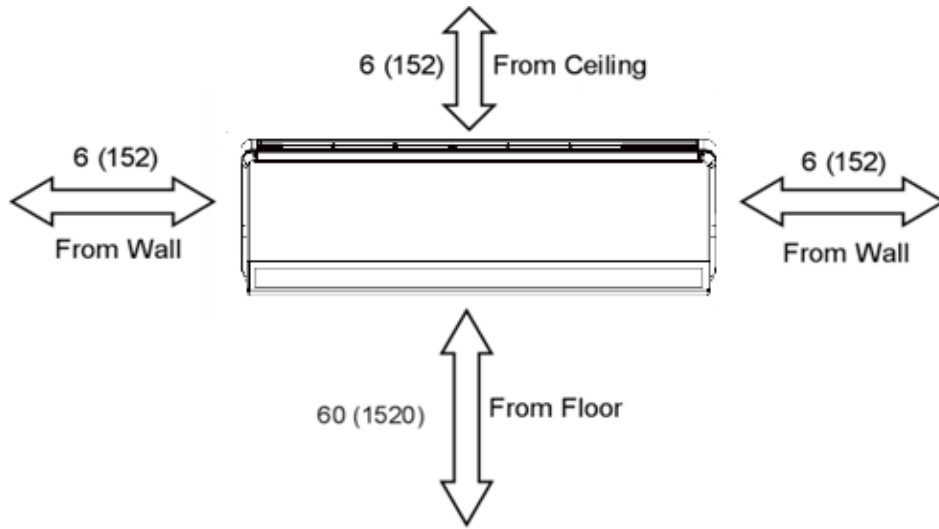
TC- Total Capacity (BtuH)
 SHC- Sensible Capacity (BtuH)



MINIMUM SPACING REQUIREMENTS

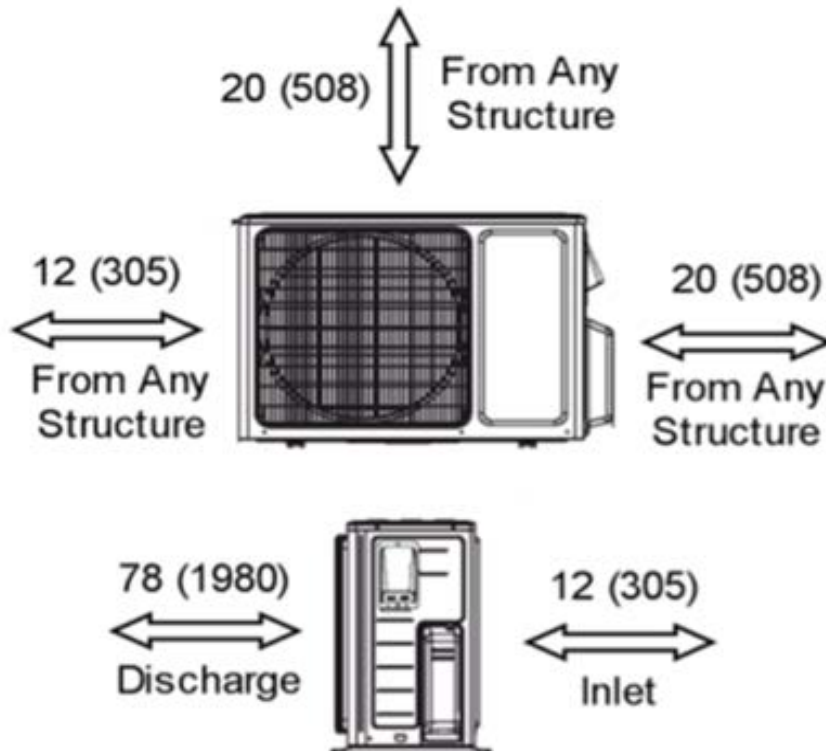
Units: inch (mm)

INDOOR



Units: inch (mm)

OUTDOOR



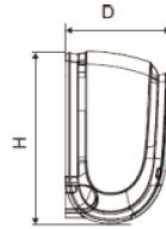
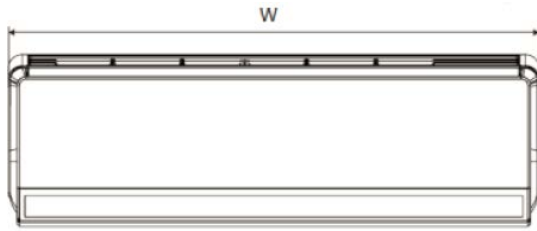
DIMENSIONAL SPECIFICATIONS

CROWN09HP230V1A

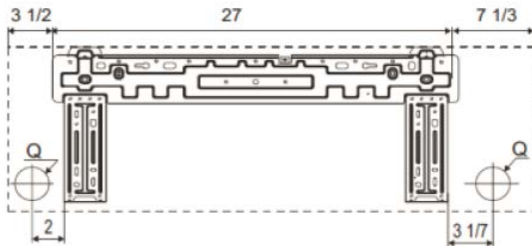
INDOOR UNIT DIMENSIONS

Units: inch

Model No: CROWN09HP230V1AH



Dimensions	
W	37.8
H	12.6
D	8.0



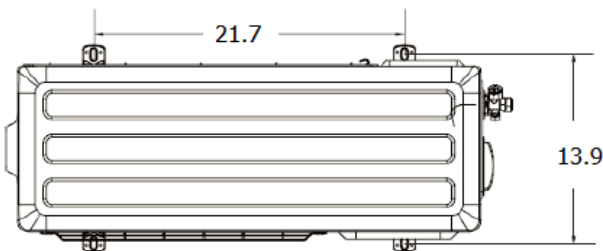
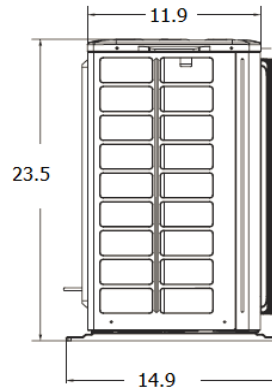
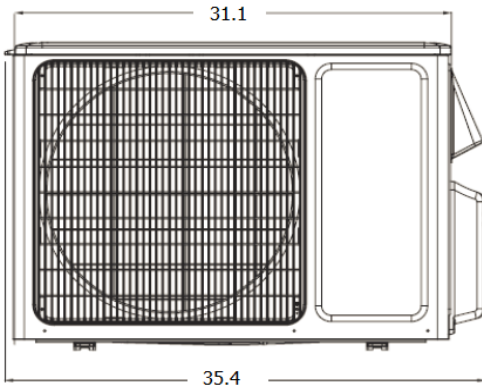
Weight (Net/Shipping) 31/37 LBS

Liquid Line Valve	1/4-in OD Flared
Gas Line Valve	1/2-in OD Flared
Drain Connector	5/8-in OD

OUTDOOR UNIT DIMENSIONS

Units: inch

Model No: CROWN09HP230V1AO



Liquid Line Valve	1/4-in OD Flared
Gas Line Valve	1/2-in OD Flared

Weight (Net/Shipping) 99/106 LBS

Notes:

1. Recommended Interconnecting Cable Type 14 AWG 4 Stranded Bare Copper Conductors THHN 600V Wire
2. Power wiring cable size must comply with applicable national and local codes.
3. Test conditions are based on AHRI 210/240.



Specifications are subject to change without notice. Manufacturer reserves the right to discontinue or modify specifications or designs without notice or without incurring obligations. All rights reserved.